

PSC 1,5/ 5-F - PCB connectors



1841912

<https://www.phoenixcontact.com/us/products/1841912>

Please be informed that the data shown in this PDF document is generated from our online catalog. Please find the complete data in the user documentation. Our general terms of use for downloads are valid.



PCB connector, nominal cross section: 1.5 mm², color: green, nominal current: 8 A, rated voltage (III/2): 320 V, contact surface: Tin, contact connection type: Socket, number of potentials: 5, number of rows: 1, number of positions: 5, number of connections: 5, product range: PSC 1,5/..-F, pitch: 3.5 mm, connection method: Screw connection with tension sleeve, screw head form: L Slotted, conductor/PCB connection direction: 0 °, plug-in system: PSC 1,5, Electrical properties: shielded, locking: Screw locking mechanism, mounting: without, type of packaging: packed in cardboard

Your advantages

- Well-known mounting principle allows worldwide use
- Low temperature rise, thanks to maximum contact force
- Shroud for professional EMC shield feed-through on the inside of the device
- Screwable flange for superior mechanical stability

Commercial data

Item number	1841912
Packing unit	50 pc
Minimum order quantity	50 pc
Sales key	AA02
Product key	AABWPA
Catalog page	Page 251 (C-1-2013)
GTIN	4017918111885
Weight per piece (including packing)	7.34 g
Weight per piece (excluding packing)	7.34 g
Customs tariff number	85366990
Country of origin	PL

PSC 1,5/ 5-F - PCB connectors



1841912

<https://www.phoenixcontact.com/us/products/1841912>

Technical data

Product properties

Product type	PCB connector
Product family	PSC 1,5/...-F
Product line	COMBICON Connectors S
Type	Plugs with shielded housing
Number of positions	5
Pitch	3.5 mm
Number of connections	5
Number of rows	1
Number of potentials	5
Mounting flange	without
Electrical characteristic	shielded

Electrical properties

Nominal current I_N	8 A
Nominal voltage U_N	320 V (for applications in metal or metal-plated housings, the degree of protection "safety extra-low voltage" must be used.)
Degree of pollution	3
Rated voltage (III/3)	250 V
Rated surge voltage (III/3)	4 kV
Rated voltage (III/2)	320 V
Rated surge voltage (III/2)	4 kV
Rated voltage (II/2)	630 V
Rated surge voltage (II/2)	4 kV
Electrical characteristic	shielded

Connection data

Connection technology

Type	Plugs with shielded housing
Connector system	PSC 1,5
Nominal cross section	1.5 mm ²
Contact connection type	Socket

Interlock

Locking type	Screw locking mechanism
Mounting flange	without

Conductor connection

Connection method	Screw connection with tension sleeve
Conductor/PCB connection direction	0 °
Conductor cross section rigid	0.14 mm ² ... 1.5 mm ²
Conductor cross section flexible	0.14 mm ² ... 1.5 mm ²

PSC 1,5/ 5-F - PCB connectors

1841912

<https://www.phoenixcontact.com/us/products/1841912>

Conductor cross section AWG	28 ... 16
Conductor cross section flexible, with ferrule without plastic sleeve	0.25 mm ² ... 1.5 mm ²
Conductor cross section, flexible, with ferrule, with plastic sleeve	0.25 mm ² ... 0.5 mm ²
Stripping length	7 mm
Tightening torque	0.22 Nm ... 0.25 Nm

Specifications for ferrules without insulating collar

recommended crimping tool	1212034 CRIMPFOX 6
---------------------------	--------------------

Specifications for ferrules with insulating collar

recommended crimping tool	1212034 CRIMPFOX 6
---------------------------	--------------------

Material specifications

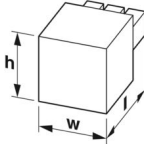
Material data - contact

Note	WEEE/RoHS-compliant, free of whiskers according to IEC 60068-2-82/JEDEC JESD 201
Contact material	Cu alloy
Metal surface terminal point (top layer)	Tin (5 - 7 µm Sn)
Metal surface contact area (top layer)	Tin (5 - 7 µm Sn)

Material data - housing

Color (Housing)	green (6021)
Insulating material	PA
Insulating material group	I
CTI according to IEC 60112	600
Flammability rating according to UL 94	V0
Glow wire flammability index GWFI according to EN 60695-2-12	850
Glow wire ignition temperature GWIT according to EN 60695-2-13	775
Temperature for the ball pressure test according to EN 60695-10-2	125 °C

Dimensions

Dimensional drawing	
Pitch	3.5 mm
Width [w]	39.2 mm
Height [h]	12.5 mm
Length [l]	16 mm

Mounting

Drive form screw head	Slotted (L)
-----------------------	-------------

PSC 1,5/ 5-F - PCB connectors



1841912

<https://www.phoenixcontact.com/us/products/1841912>

Electrical tests

Air clearances and creepage distances |

Insulating material group	I
Rated insulation voltage (III/3)	250 V
Rated surge voltage (III/3)	4 kV
Rated insulation voltage (III/2)	320 V
Rated surge voltage (III/2)	4 kV
Rated insulation voltage (II/2)	630 V
Rated surge voltage (II/2)	4 kV

Packaging specifications

Type of packaging	packed in cardboard
-------------------	---------------------

PSC 1,5/ 5-F - PCB connectors

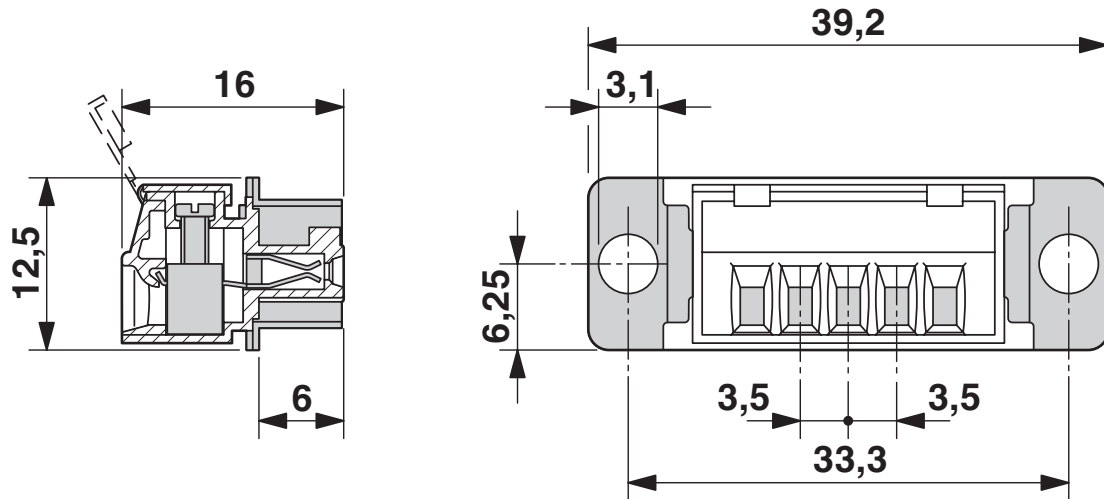


1841912

<https://www.phoenixcontact.com/us/products/1841912>

Drawings

Dimensional drawing



PSC 1,5/ 5-F - PCB connectors





1841912

<https://www.phoenixcontact.com/us/products/1841912>

Approvals

To download certificates, visit the product detail page: <https://www.phoenixcontact.com/us/products/1841912>

 CSA Approval ID: 13631				
	Nominal voltage U_N	Nominal current I_N	Cross section AWG	Cross section mm^2
Use group B				
	300 V	8 A	28 - 16	-
Use group D				
	300 V	8 A	28 - 16	-

 cULus Recognized Approval ID: E60425-19920306				
	Nominal voltage U_N	Nominal current I_N	Cross section AWG	Cross section mm^2
Use group B				
	300 V	8 A	30 - 14	-
Use group D				
	300 V	8 A	30 - 14	-

PSC 1,5/ 5-F - PCB connectors



1841912

<https://www.phoenixcontact.com/us/products/1841912>

Classifications

ECLASS

ECLASS-11.0	27460202
ECLASS-12.0	27460202
ECLASS-13.0	27460202

ETIM

ETIM 9.0	EC002638
----------	----------

UNSPSC

UNSPSC 21.0	39121400
-------------	----------

PSC 1,5/ 5-F - PCB connectors



1841912

<https://www.phoenixcontact.com/us/products/1841912>

Environmental product compliance

EU RoHS

Fulfills EU RoHS substance requirements	Yes, No exemptions
---	--------------------

China RoHS

Environment friendly use period (EFUP)	EFUP-E
	No hazardous substances above the limits

EU REACH SVHC

REACH candidate substance (CAS No.)	No substance above 0.1 wt%
-------------------------------------	----------------------------

PSC 1,5/ 5-F - PCB connectors

1841912

<https://www.phoenixcontact.com/us/products/1841912>

Accessories

SZS 0,4X2,5 VDE - Screwdriver

1205037

<https://www.phoenixcontact.com/us/products/1205037>



Screwdriver, slot-headed, VDE insulated, size: 0.4 x 2.5 x 80 mm, 2-component grip, with non-slip grip

SCT-D-SUB 15-KG - Housing

2749563

<https://www.phoenixcontact.com/us/products/2749563>



Cable housing for D-SUB-15

PSC 1,5/ 5-F - PCB connectors



1841912

<https://www.phoenixcontact.com/us/products/1841912>

PSC 1,5/ 5-M - PCB header

1841899

<https://www.phoenixcontact.com/us/products/1841899>



PCB headers, nominal cross section: 1.5 mm², color: green, nominal current: 8 A, rated voltage (III/2): 320 V, contact surface: Tin, contact connection type: Pin, number of potentials: 5, number of rows: 1, number of positions: 5, number of connections: 5, product range: PSC 1,5/..-M, pitch: 3.5 mm, mounting: Wave soldering, pin layout: Zigzag pinning W, solder pin [P]: 3.5 mm, number of solder pins per potential: 1, plug-in system: PSC 1,5, Electrical properties: shielded, Pin connector pattern alignment: Standard, locking: Screw locking mechanism, mounting: Threaded flange, type of packaging: packed in cardboard

PSC 1,5/ 5-M-PE - PCB header

1848135

<https://www.phoenixcontact.com/us/products/1848135>



PCB headers, nominal cross section: 1.5 mm², color: green, nominal current: 8 A, rated voltage (III/2): 320 V, contact surface: Tin, contact connection type: Pin, number of potentials: 5, number of rows: 1, number of positions: 5, number of connections: 5, product range: PSC 1,5/..-M, pitch: 3.5 mm, mounting: Wave soldering, pin layout: Linear pinning, solder pin [P]: 3.5 mm, number of solder pins per potential: 1, plug-in system: PSC 1,5, Electrical properties: shielded, Pin connector pattern alignment: Standard, locking: Screw locking mechanism, mounting: Threaded flange, type of packaging: packed in cardboard

Phoenix Contact 2024 © - all rights reserved
<https://www.phoenixcontact.com>

Phoenix Contact USA
586 Fulling Mill Road
Middletown, PA 17057, United States
(+717) 944-1300
info@phoenixcon.com