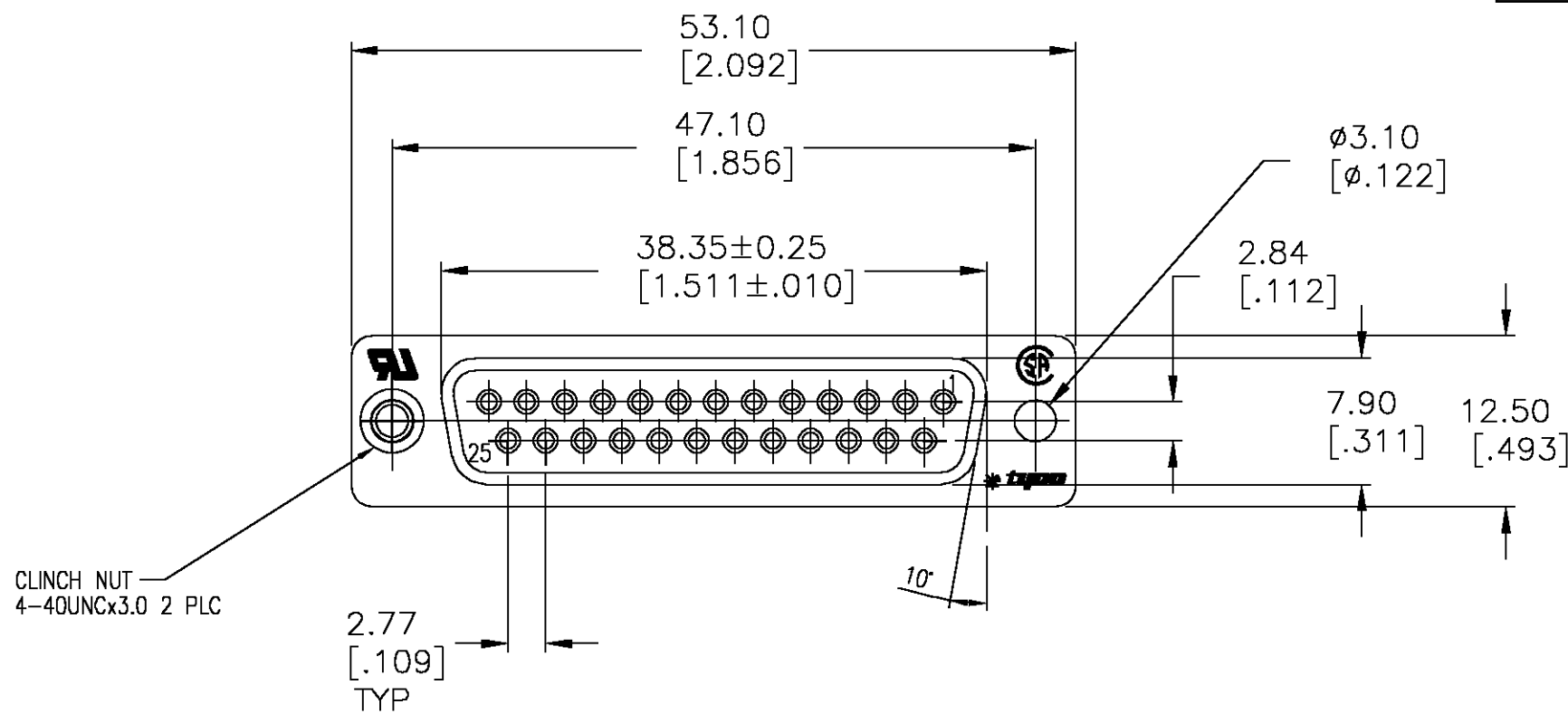


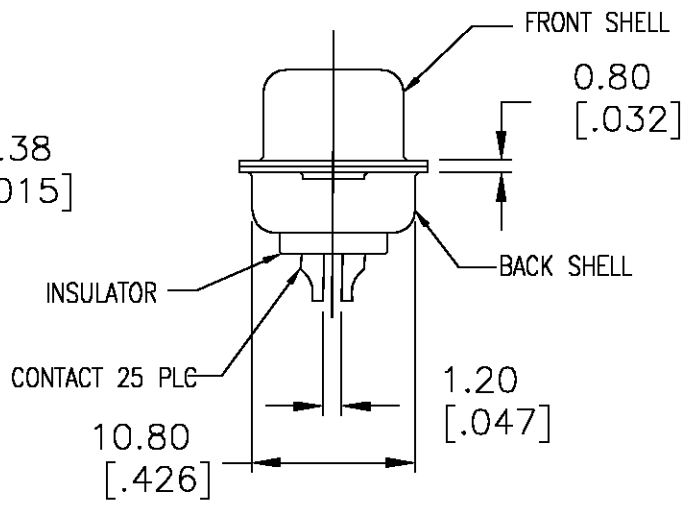
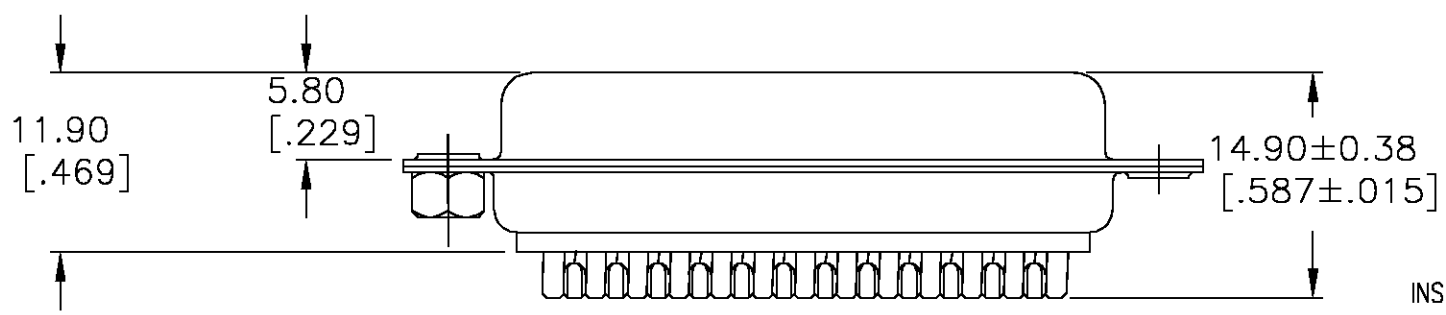
THIS DRAWING IS UNPUBLISHED. RELEASED FOR PUBLICATION
 © COPYRIGHT BY TYCO ELECTRONICS CORPORATION. ALL RIGHTS RESERVED.

LOC AD	DIST 00	REVISIONS		
P	LTR	DESCRIPTION	DATE	DWN
	R	REV PER EC OG3C-340-04	11AUG04	MB
				JO



- MATERIAL:**
 FRONT INSULATOR: PBT, 30 %GF, UL94V-0, BLACK COLOR
 BACK INSULATOR: PBT, 30 %GF, UL94V-0, BLACK COLOR
 CONTACT: BRASS
 FRONT SHELL: STEEL
 BACK SHELL: STEEL
 CLINCH NUTS: BRASS
- FINISH:**
 CONTACT: GOLD PLATING 0.00002[.0000008] MIN ON CONTACT AREA 0.00229 [.000090] MIN TIN-LEAD PLATING ALL OVER 0.00127[.000050] MIN NICKEL
 CONTACT: GOLD PLATING 0.00076[.000030] MIN ON CONTACT AREA 0.00229 [.000090] MIN TIN-LEAD PLATING ALL OVER 0.00127[.000050] MIN NICKEL
 SHELL: TIN 0.0241[.000095] MIN FULL SHELL
 SHELL: ZINC 0.00076[.000300] MIN FULL SHELL
 CONTACT: GOLD PLATING 0.00002[.0000008] MIN ON CONTACT AREA 0.00229 [.000090] MIN TIN PLATING ALL OVER 0.00127[.000050] MIN NICKEL
 CLINCH NUTS: NICKEL PLATING .00305-.00508[.000120-.000200]
- 8. SPECIFICATION**
 ELECTRICAL CHARACTERISTICS: CURRENT RATING: 3 AMPERES
 DIELECTRIC WITHSTANDING VOLTAGE: AC 1000V r.m.s
 INSULATION RESISTANCE: 5000 MEGOHMS MINIMUM AT DC 500V
 CONTACT RESISTANCE: 10 MILLIOHMS MAXIMUM.

- 9. LEAD FREE PART**
10. RECEPTACLE ASSEMBLY MATES WITH ANY 25 POSITION PLUG IN AMPLIMITE SERIES
 11. SOLDER CUP WILL ACCOMMODATE 20 MAX AWG WIRE.



YES	STANDARD	2	4	747913-9
NO	STANDARD	6	4	747913-8
NO	STANDARD	2	5	747913-6
NO	STANDARD	3	4	747913-5
NO	STANDARD	2	5	747913-4
NO	STANDARD	2	4	747913-2
CLINCH NUTS	PACKAGING TYPE	CONTACTS	SHELLS	PART NO

THIS DRAWING IS A CONTROLLED DOCUMENT.		DWN M.BINNER 04MAR03	Tyco Electronics Corporation Harrisburg, Pa 17105-3608	
DIMENSIONS: mm [INCHES]		CHK R.BENDORF 05MAR03		
TOLERANCES UNLESS OTHERWISE SPECIFIED:		APVD R.BENDORF 05MAR03	NAME RECEPTACLE ASSEMBLY, SOLDER CUP, SIZE 3, 25 POSN, HD-20, AMPLIMITE	
0 PLC ± - 1 PLC ± 0.25 2 PLC ± 0.13 3 PLC ± 0.05 4 PLC ± - ANGLES ± 4°		PRODUCT SPEC	SIZE A3	
MATERIAL SEE NOTES		APPLICATION SPEC	CAGE CODE 00779	DRAWING NO 747913
FINISH SEE TABLE		WEIGHT -	RESTRICTED TO -	
		CUSTOMER DRAWING	SCALE 1:1	SHEET 1 OF 1
			REV R	