

THIS DRAWING IS UNPUBLISHED.

RELEASED FOR PUBLICATION OCT ,2003.

© COPYRIGHT 2003 By -

ALL RIGHTS RESERVED.

LOC	DIST	REVISIONS					
E	B	P	LTR	DESCRIPTION	DATE	DWN	APVD
		C		REVISED PER ECO-14-000651	04FEB2014	AP	SB

1 FOR LOCAL DATA REFER TO YOUR LOCAL TE CONNECTIVITY SALES OFFICE.

2 ALL DIMENSIONS ARE NOMINAL FOR REFERENCE ONLY UNLESS OTHERWISE STATED.

3 MATERIAL :  
 HOUSING : THERMOPLASTIC, UL94V-0  
 BLACK COLOR  
 CONTACTS : PHOSPHOR BRONZE  
 SHELL : STEEL  
 BOARDLOCK : BRASS  
 SCREW : BRASS

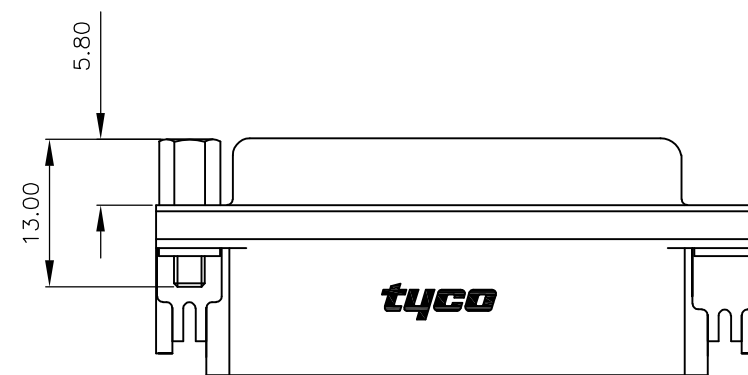
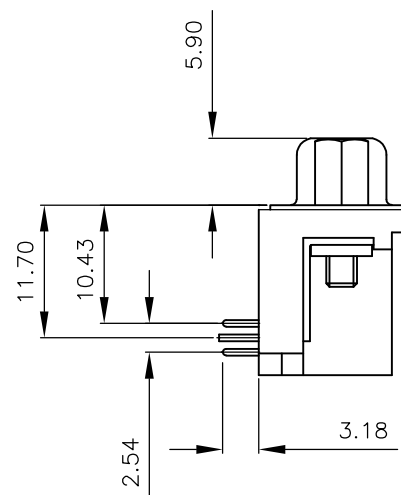
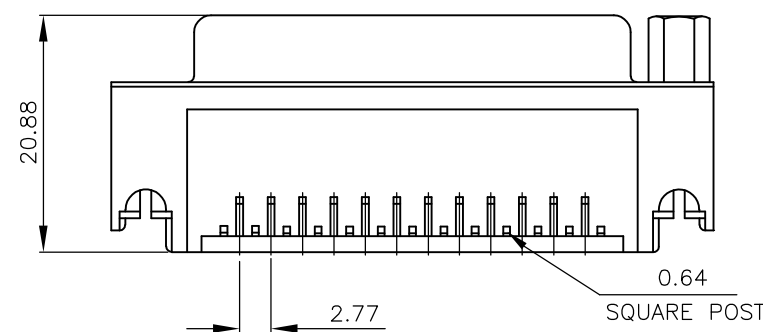
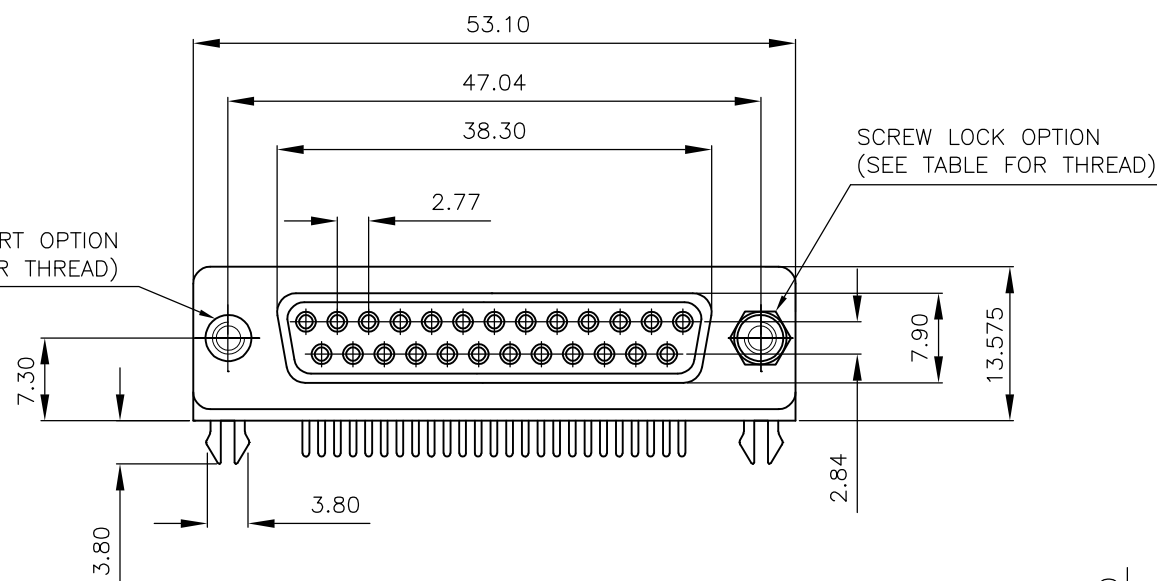
4 FINISH :  
 CONTACT : 0.38µm MIN.GOLD PLATED ON CONTACT AREA  
 2.54µm MIN. TIN PLATED ON SOLDER TAILS  
 1.27µm MIN. NICKEL UNDERPLATED OVERALL  
 SHELL : 2.54 µm MIN NICKEL PLATED.  
 BOARD LOCK : 1.52µm MIN. TIN PLATED  
 SCREW : 1.27µm MIN. NICKEL PLATED.

5 CHARACTERISTICS  
 CURRENT RATING : 5A  
 INSULATION RESISTANCE : 1000MOHMS MIN, 500VDC FOR 2MINS.  
 TEMPERATURE RATING : -55DEGC ~ +105DEGC  
 VOLTAGE RATING : 250VDC

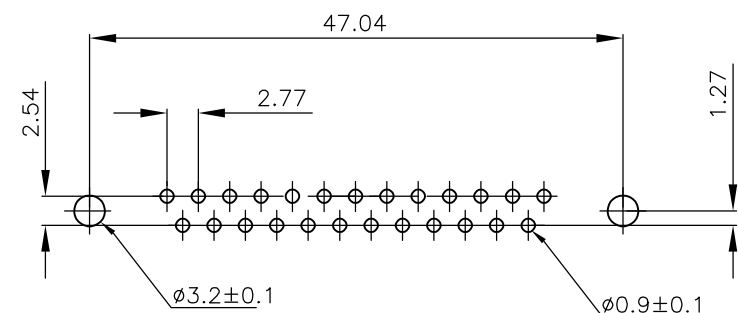
6 OBSOLETE PARTS: OBSOLETE CIS STREAMLINING PER D.RENAUD/D.SINISI.

INSERT OPTION (SEE TABLE FOR THREAD)

SCREW LOCK OPTION (SEE TABLE FOR THREAD)



P.C.B. LAYOUT



6 OBSOLETE	25 WAY D SOCKET WITH BOARD LOCKS & 2 x M3 SCREW LOCKS, 0.38µm GOLD, RIGHT ANGLE	4-1634586-2
	25 WAY D SOCKET WITH BOARD LOCKS & 2 x 4-40 SCREW LOCKS, 0.38µm GOLD, RIGHT ANGLE	3-1634586-2
6 OBSOLETE	25 WAY D SOCKET WITH BOARD LOCKS & 2 x M3 INSERTS, 0.38µm GOLD, RIGHT ANGLE	2-1634586-2
	25 WAY D SOCKET WITH BOARD LOCKS & 2 x 4-40 INSERTS, 0.38µm GOLD, RIGHT ANGLE	1-1634586-2
	DESCRIPTION	PART NO.

THIS DRAWING IS A CONTROLLED DOCUMENT.		DWN J.SANDWELL 15SEP2003	<b>STE</b> TE Connectivity	
DIMENSIONS: mm		CHK S.EBBUTT 15SEP2003		
TOLERANCES UNLESS OTHERWISE SPECIFIED:		APVD F.WHEELER-KING 15SEP2003	NAME 25 WAY D-SUB SOCKET WITH BOARD LOCK	
0 PLC ± -		PRODUCT SPEC	-	
1 PLC ± -		APPLICATION SPEC	-	
2 PLC ± -		WEIGHT	-	
3 PLC ± -		CUSTOMER DRAWING	SIZE A3	CAGE CODE 00779
4 PLC ± -		FINISH	DRAWING NO C-1634586	RESTRICTED TO
ANGLES ± -			SCALE NTS	SHEET 1 OF 2
				REV C

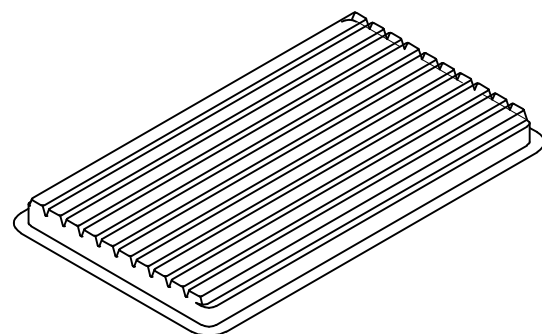
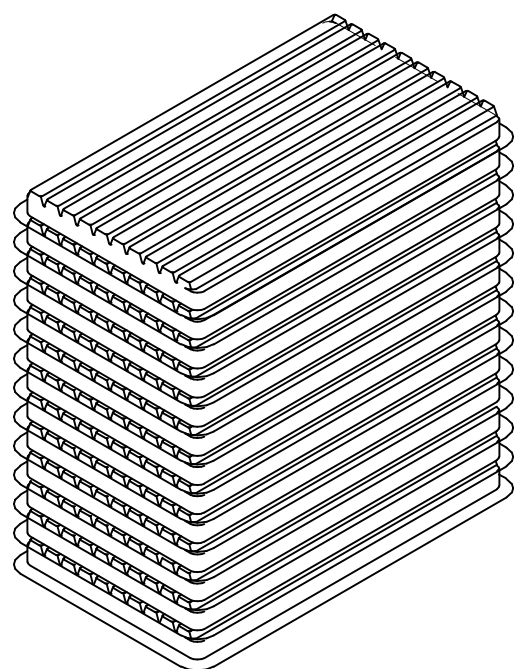
THIS DRAWING IS UNPUBLISHED.

RELEASED FOR PUBLICATION OCT , 2003.

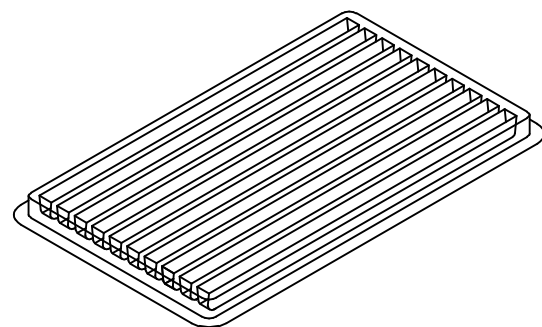
© COPYRIGHT 2003 By -

ALL RIGHTS RESERVED.

LOC	DIST	REVISIONS			
P	LTR	DESCRIPTION	DATE	DWN	APVD
E	B	-	SEE SHEET 1	-	-



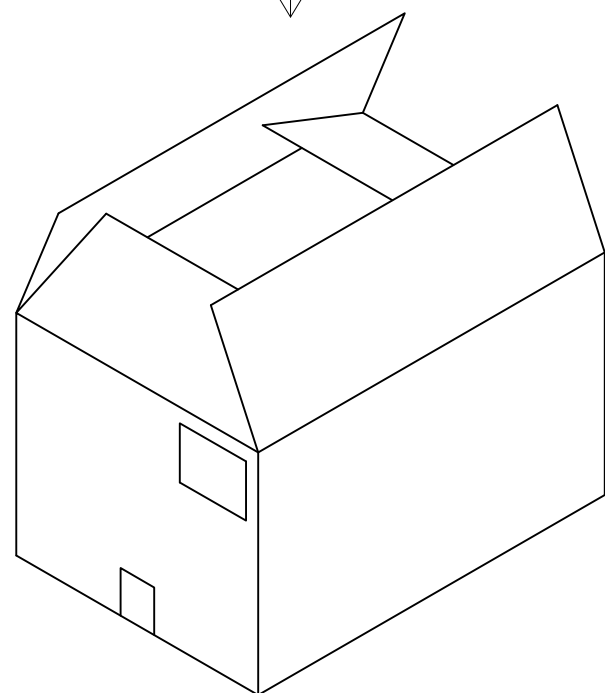
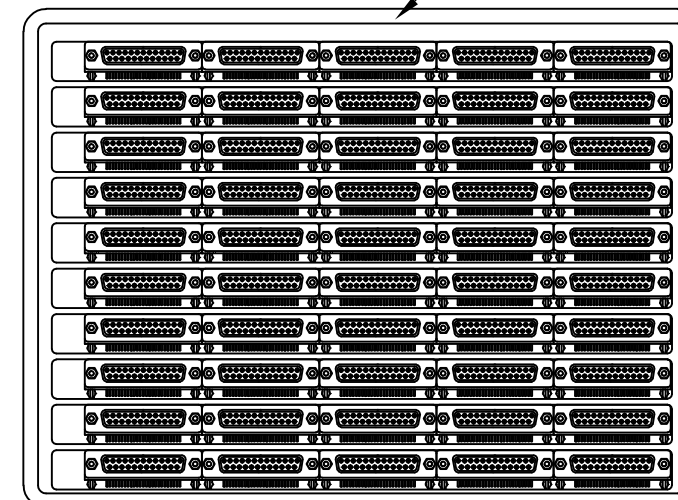
COVER


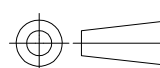


TRAY

- 1 DIMENSION:  
TRAY:L=310,W=220,H=23  
SHIPPING  
BOX:L=335,W=230,H=320
- 2 QUANTITY:  
50 PCS/TRAY  
13 TRAY/SHIPPING BOX

Tray Layout



THIS DRAWING IS A CONTROLLED DOCUMENT.		DWN J.SANDWELL 15SEP2003	 TE Connectivity	
DIMENSIONS: mm		CHK S.EBBUTT 15SEP2003		
		<del>           TOLERANCES UNLESS OTHERWISE SPECIFIED:            0 PLC ± -            1 PLC ± -            2 PLC ± -            3 PLC ± -            4 PLC ± -            ANGLES ± -         </del>		NAME F.WHEELER-KING
MATERIAL -		FINISH -		PRODUCT SPEC -
		APPLICATION SPEC -		25 WAY D-SUB SOCKET WITH BOARD LOCK
		WEIGHT -		SIZE A3
		CUSTOMER DRAWING		CAGE CODE 00779
		SCALE NTS		DRAWING NO C-1634586
		SHEET 2 OF 2		RESTRICTED TO -
		REV C		