

RF, Microwave and Datalink Contacts

for MIL-DTL-38999, SuperNine®, Mighty Mouse and Micro-Crimp® Connectors



Low-Loss Matched-Impedance Coaxial Contacts

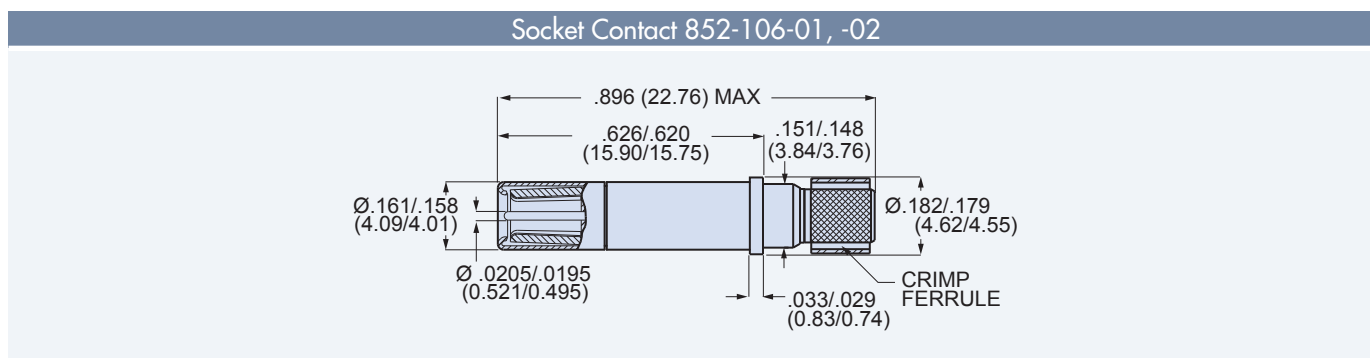
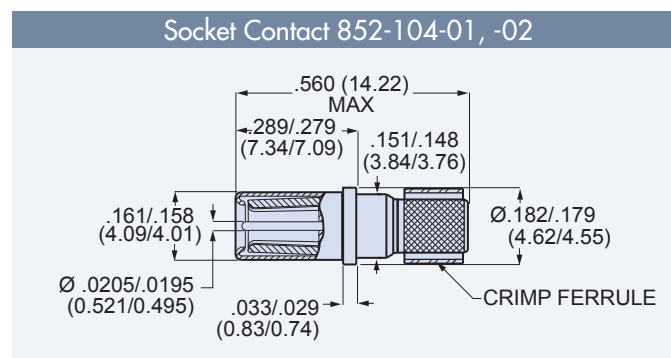
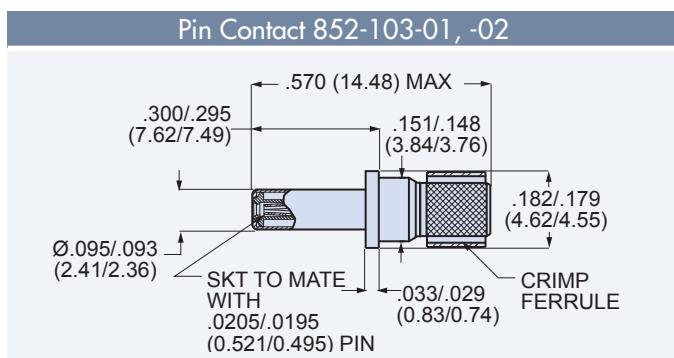
Size #12 75 Ohm Matched-Impedance Coaxial Contacts



75 ohm coax contacts provide DC – 3 GHz frequency range. Crimp termination. Supplied as unassembled kit with contact body, center contact and outer ferrule. These snap-in, rear-release contacts fit Glenair Series 80 Mighty Mouse, Series 79 Micro-Crimp® and MIL-DTL-38999 connectors with size 12 contact cavities. Gold-plated copper alloy, fluoroplastic insulator.

Size 12 75 Ohm Matched-Impedance Coaxial Contacts			
RG Cable	Pin Contact	Socket Contact	
		M38999 Series I, III, IV	M38999 Series II Series 79, 80
RG179 (M17/94-RG179)	852-103-02	852-106-02	852-104-02
V75268, V76261, V73263 (PIC™ Wire and Cable)	852-103-01	852-106-01	852-104-01

Technical Data		
Specifications	Construction	Connector Compatibility
<ul style="list-style-type: none"> Operating temperature: -65°C. to +200°C. Dielectric withstanding voltage: 500 Vac Current rating: 1 ampere VSWR: 1.25:1 max. @ 3 GHz 75 ohm nominal impedance Durability: 500 mating cycles Shock: EIA-364-27 condition D Vibration: EIA-364-28 condition VI, letter J 	<ul style="list-style-type: none"> Center contact, body, crimp sleeve: copper alloy, 50 microinches gold over nickel plating Insulator: fluoroplastic Hood: stainless steel, passivated 	<ul style="list-style-type: none"> MIL-DTL-38999 Series I, II, III and IV Glenair Series 23 SuperNine® Glenair Series 80 Mighty Mouse Glenair Series 79 Micro-Crimp®



RF, Microwave and Datalink Contacts

for MIL-DTL-38999, SuperNine®, Mighty Mouse and Micro-Crimp® Connectors



Low-Loss Matched-Impedance Coaxial Contacts

Size #12 75 Ohm Matched-Impedance Coaxial Contacts

Crimp Tools, Installation/Removal Tool, Assembly Instruction Sheet						
Contact Part Number	Crimp Tools				Insertion/Removal Tool	Assembly Instruction Sheet
	Inner Contact		Shield Crimp Sleeve			
	Crimper	Positioner	Crimper	Positioner		
852-103-01	809-128 (MH992)	859-006 (K1721)	809-133 (M22520/31-01)	859-128 (GP959)	809-132 (M81969/14-04)	AI85075
852-103-02	809-128 (MH992)	859-006 (K1721)	809-129 (M22520/5-01)	809-130 (M22520/5-03)	809-132 (M81969/14-04)	AI85024
852-104-01	809-128 (MH992)	859-006 (K1721)	809-133 (M22520/31-01)	859-128 (GP959)	809-132 (M81969/14-04)	AI85075
852-104-02	809-128 (MH992)	859-006 (K1721)	809-129 (M22520/5-01)	809-130 (M22520/5-03)	809-132 (M81969/14-04)	AI85001
852-106-01	809-015 (M22520/2-01)	859-050 (M22520/2-31)	809-133 (M22520/31-01)	859-128 (GP959)	809-132 (M81969/14-04)	AI85088
852-106-02	809-015 (M22520/2-01)	859-050 (M22520/2-31)	809-129 (M22520/5-01)	809-130 (M22520/5-03)	809-132 (M81969/14-04)	AI85031

Inner Contact Crimp Tools



809-128
(MH992)



859-006
(K1721)



809-015
(M22520/2-01)



859-050
(M22520/2-31)

Shield Crimp Tool



809-133
(M22520/31-01)



859-128
(GP959)



809-129
(M22520/5-01)



809-130
(M22520/5-03)

Installation/Removal Tool



809-132
(M81969/14-04)

Mouser Electronics

Authorized Distributor

Click to View Pricing, Inventory, Delivery & Lifecycle Information:

[Glenair:](#)

[852-103-02](#)