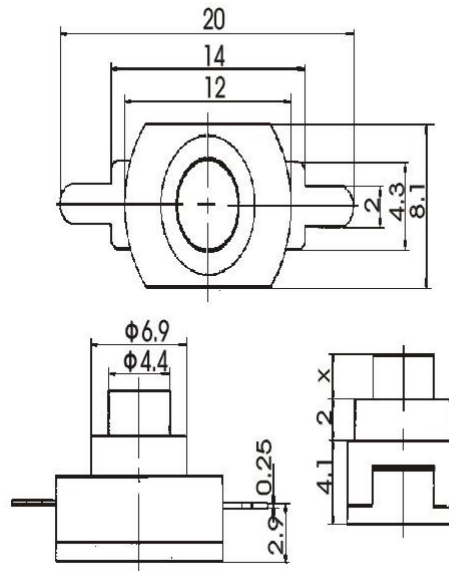


KAN-15F

2P-ON-OFF

Rating:
1A 250V AC



Technical parameters:

PUSH BUTTON SWITCHES

Switch specification :

Rated working voltage & current: 1A -3A AC 250V

Contact Resistance: $\leq 50\text{M}\Omega$ DC 5V 1A

Withstand Voltage: DC 500V 1Minute

Insulation Resistance: $\leq 100\text{M}\Omega$ DC 500V

Switching Life: 10000 cycles

Environmental Temperature: -25-85°C.

Environmental Humidity : 45%-95%