

### Series EM2215

Header with Flanges; (Mates with EM2115, EM3115 Series); 5.00 Centers

**SPECIFICATIONS:**

**Rating:** 16A, 300V

**Center Spacing:** 0.197" (5.00mm)

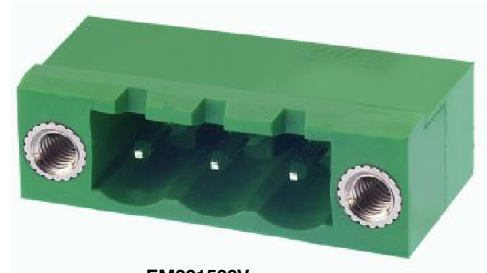
**Housing Material:** UL rated 94V0 Thermoplastic

**Contact Material:** Tin-Plated Brass

**Operating Temperature:** 105°C (221°F) max., -55°C (-67°F) min.

**Construction:** Mold-to-Length

**Agency Information:** US File E62622; CE Certified

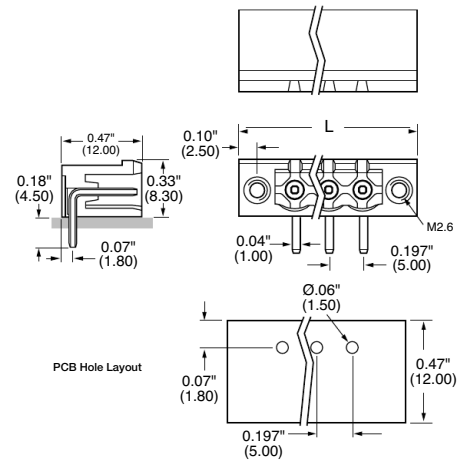


EM221503V

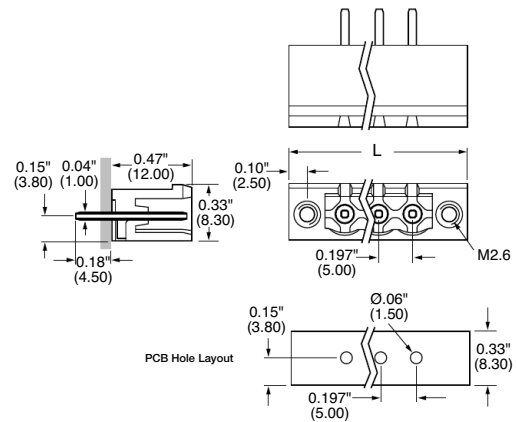
Poles	L (mm)	L (Inch)	Poles	L (mm)	L (Inch)
2	20.0	0.787	13	75.0	2.952
3	25.0	0.984	14	80.0	3.149
4	30.0	1.181	15	85.0	3.346
5	35.0	1.378	16	90.0	3.543
6	40.0	1.575	17	95.0	3.740
7	45.0	1.772	18	100.0	3.937
8	50.0	1.969	19	105.0	4.133
9	55.0	2.165	20	110.0	4.330
10	60.0	2.362	21	115.0	4.527
11	65.0	2.559	22	120.0	4.724
12	70.0	2.756			

**Dimensions - in (mm)**

**HORIZONTAL**



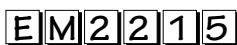
**VERTICAL**



### Part Numbering System

Inches (Millimeters)

Series



# of Poles



02 to 22

Orientation



H - Horizontal  
V - Vertical

**Mating Plugs:** EM2115 pg. 93  
EM3115 pg. 94

Terminal Blocks:  
Single Row

EuroMag Series  
Plug & Header

Edge Connectors,  
One-Sided Boards

Compliance  
References

# Mouser Electronics

Authorized Distributor

Click to View Pricing, Inventory, Delivery & Lifecycle Information:

## Eaton:

[EM221504H](#) [EM221504V](#) [EM221506H](#) [EM221506V](#) [EM221508V](#) [EM221502V](#) [EM221503H](#) [EM221505H](#)  
[EM221507V](#) [EM221511V](#) [EM221516V](#) [EM221520V](#) [EM221507H](#) [EM221510H](#) [EM221513H](#) [EM221515V](#)  
[EM221517V](#) [EM221517H](#) [EM221519V](#) [EM221505V](#) [EM221509H](#) [EM221521H](#) [EM221522H](#) [EM221516H](#)  
[EM221510V](#) [EM221520H](#) [EM221511H](#) [EM221512H](#) [EM221513V](#) [EM221512V](#) [EM221521V](#) [EM221522V](#)  
[EM221515H](#) [EM221508H](#) [EM221518H](#) [EM221514H](#) [EM221519H](#) [EM221503V](#) [EM221509V](#) [EM221502H](#)  
[EM221514V](#) [EM221518V](#)