

Multilayer Ferrite Chip Bead (High Current)

ACML-0402HC



RoHS/RoHS II Compliant



1.00 x 0.50 x 0.50mm

FEATURES:

- Multilayer monolithic structure yields high reliability
- Unique terminal electrode design ensures high rated current
- High impedance over a wide frequency range

APPLICATIONS:

- Noise suppression for computers and peripheral devices, DVD cameras, LCD TVs, communication equipments, OA equipments, etc.
- Reduces noise in ultra high speed circuits as well

STANDARD SPECIFICATIONS:

Operating Temperature: -55°C ~ +125°C

Storage Temperature: -55°C to +125°C

Part Number ACML-0402HC- Impedance Code	Impedance	Frequency	DC resistance	Rated Current
Units	$\Omega \pm 25\%$	MHz	Ω max	mA max
Symbol	Z	F	R _{DC}	I _R
ACML -0402HC -310	31	100	0.05	1700
ACML -0402HC -600	60	100	0.08	1500
ACML -0402HC -700	70	100	0.10	1200
ACML -0402HC -121	120	100	0.10	1200
ACML -0402HC -221	220	100	0.16	900
ACML -0402HC -301	300	100	0.20	600

Test Conditions and Equipments

I_R: Rated current applied when the chip surface temperature rise just 40°C against chip surface temperature.

Electric power supplier, Electric current meter, Thermometer.

Z: Impedance Analyzer HP4291 or equivalent, 50mV.

DCR: LCR Meter HP4263A or equivalent

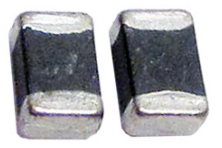
OPTIONS AND PART IDENTIFICATION:

ACML -0402HC - -

Impedance Code
Please refer to the
Electrical Specification
table

Packaging
T: Tape and Reel
(10kpcs / reel)

Multilayer Ferrite Chip Bead (High Current)

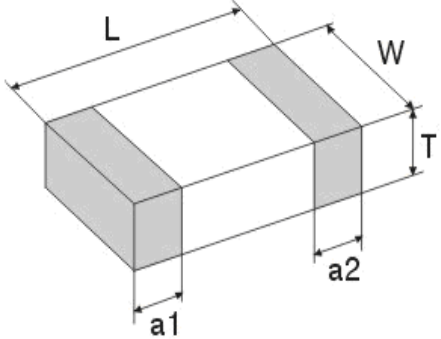


1.00 x 0.50 x 0.50mm

ACML-0402HC

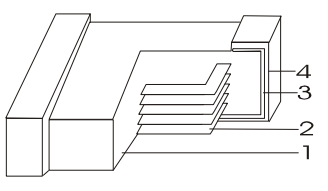
RoHS/RoHS II Compliant

OUTLINE DIMENSIONS:



L	W	T	a1, a2
1.00±0.15	0.50±0.15	0.50±0.15	0.25±0.10

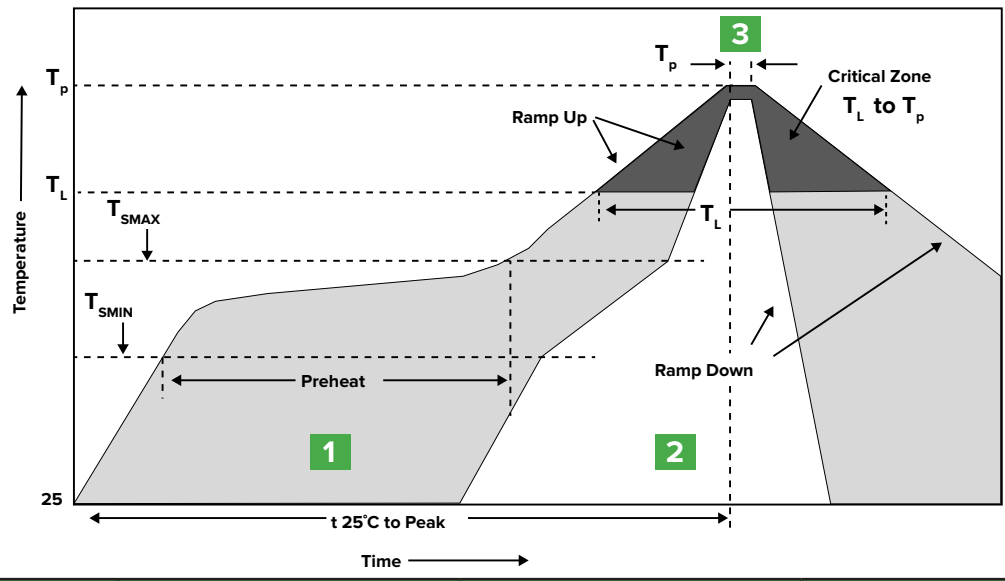
Materials



	Part Name	Material
1	Base Material	Ferrite
2	Internal Conductor	Ag
3	Terminal Electrode	Ag
4	Terminal Electrode	Ni-Sn

Dimension: mm

REFLOW PROFILE



Zone	Description	Temperature	Time
1	Preheat	$T_{SMIN} \sim T_{SMAX}$ 150°C ~ 200°C	60 ~ 120 sec.
2	Reflow	T_L 217°C	60 ~ 90 sec.
3	Peak heat	T_P 260°C	10 sec. MAX

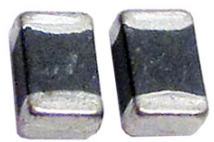


1501 Hidden Creek Lane Spicewood TX 78751
 Phone: 949-546-8000 | Fax: 949-546-8001
 For terms and conditions of sales visit:
www.abracon.com

REVISED: 10/03/2018

ABRACON IS
 ISO9001-2015
 CERTIFIED

Multilayer Ferrite Chip Bead (High Current)



1.00 x 0.50 x 0.50mm

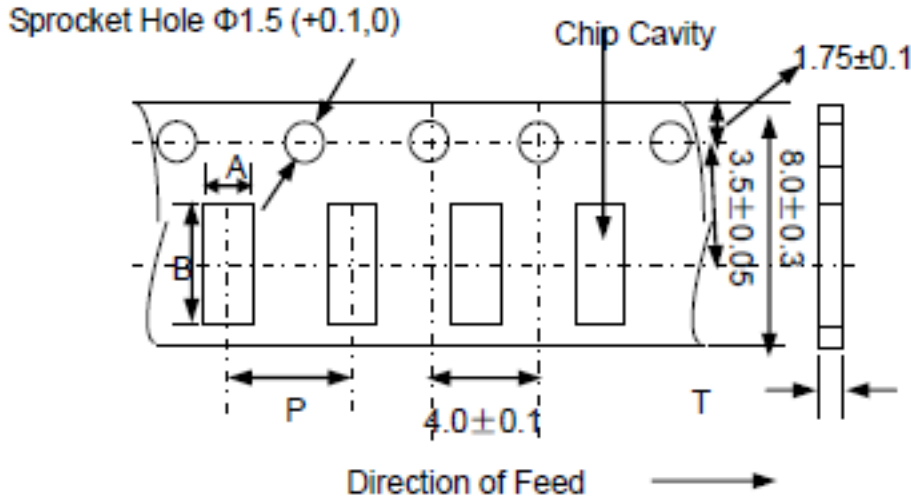
ACML-0402HC



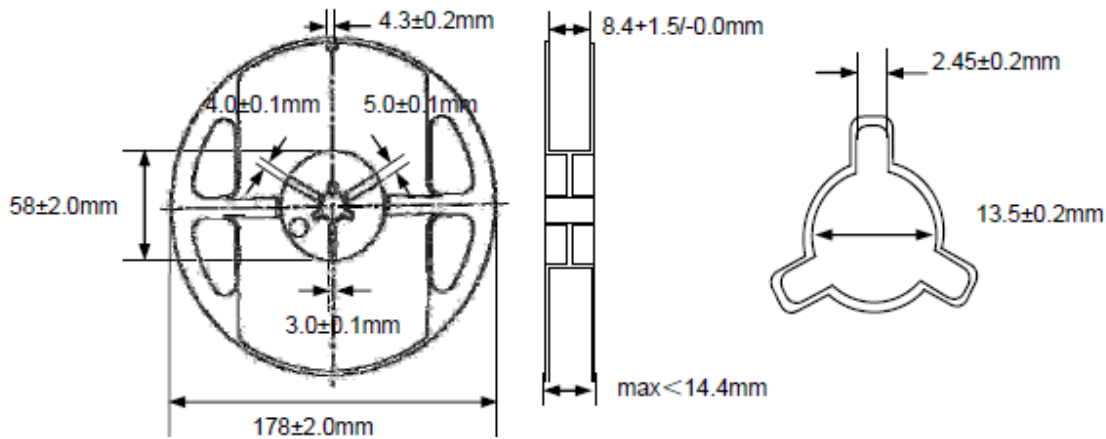
RoHS/RoHS II Compliant

TAPE & REEL:

T= tape and reel (10,000 pcs/reel)



T	0.80 max
A	0.65±0.2
B	1.15±0.2
P	2.0±0.1



Dimension: mm

ATTENTION: Abracon LLC's products are COTS – Commercial-Off-The-Shelf products; suitable for Commercial, Industrial and, where designated, Automotive Applications. Abracon's products are not specifically designed for Military, Aviation, Aerospace, Life-dependant Medical applications or any application requiring high reliability where component failure could result in loss of life and/or property. For applications requiring high reliability and/or presenting an extreme operating environment, written consent and authorization from Abracon LLC is required. Please contact Abracon LLC for more information.



1501 Hidden Creek Lane Spicewood TX 78751
 Phone: 949-546-8000 | Fax: 949-546-8001
 For terms and conditions of sales visit:
www.abracon.com

REVISED: 10/03/2018

ABRACON IS
 ISO9001-2015
 CERTIFIED