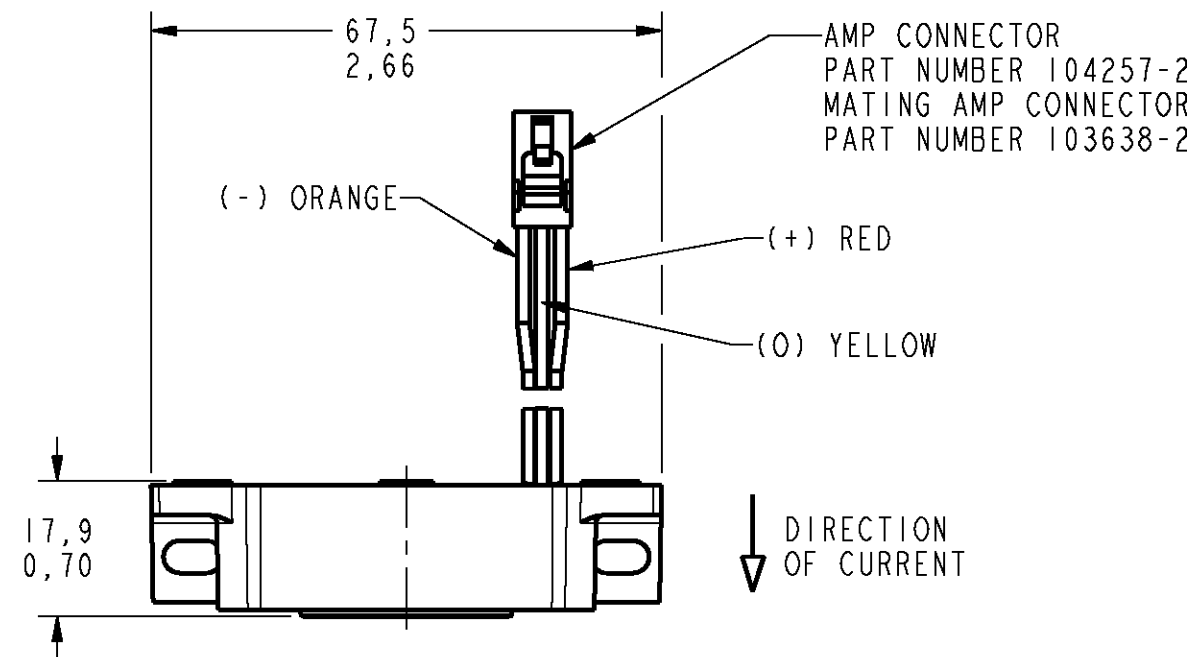


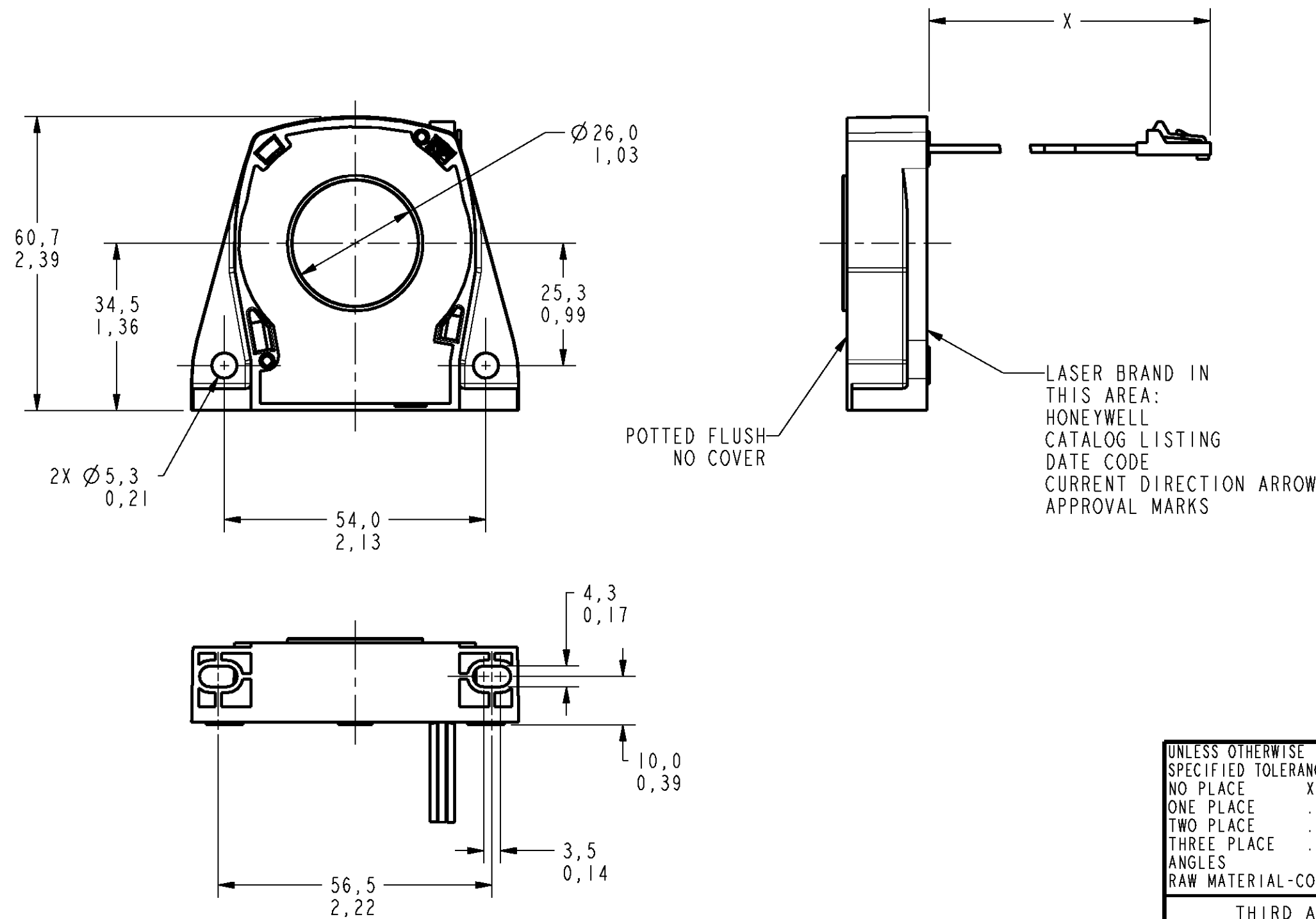
CHARACTERISTICS

REV	DOCUMENT	CHANGED BY	CHECK
1			SAV

CATALOG LISTING	ISSUE NUMBER	OPERATING TEMPERATURE	SUPPLY	HOUSING MATERIAL	SENSING RANGE		OUTPUT NOMINAL	MAXIMUM COIL RESISTANCE AT 70°C	NUMBER OF TURNS	PRIMARY CONNECTION	X DIMENSION	SECONDARY CONNECTION
					NOMINAL	MAXIMUM						
CSNS300F-001	1	-40°C TO +85°C	±15V	GLASS FILLED PBT	300A	600A	150mA	34Ω	2000±1	THRU HOLE	330m / 13in	AMP CONNECTOR ON FLYING LEADS
CSNS300F-002	1				150m / 6in	AMP CONNECTOR ON FLYING LEADS						



NOTES
1 - THIS PART IS COVERED BY EXTERNAL PRODUCT APPROVAL(S).
NO DESIGN CHANGES WITHOUT AGREEMENT OF APPROVALS ENGINEERING



UNLESS OTHERWISE SPECIFIED TOLERANCES ARE:	<input type="checkbox"/> US (inch) CUSTOMARY	<input checked="" type="checkbox"/> SI (mm) METRIC	DRAWN	TMM	9OCT02	Honeywell			
NO PLACE .X ±.040 ±1	ONE PLACE .X ±.030 ±0,4	TWO PLACE .XX ±.015 ±0,15	CHECK	SAV	9OCT02				TITLE 300A NULL BALANCE, CURRENT SENSOR
THREE PLACE .XXX ±.005 ±	ANGLES ±	RAW MATERIAL-COMMERCIAL STANDARD ±	THIS DRAWING COVERS A PROPRIETARY ITEM AND IS THE PROPERTY OF HONEYWELL. THIS DRAWING IS NOT TO BE COPIED OR USED WITHOUT THE PERMISSION OF HONEYWELL.			SIZE	DWG TYPE	DRAWING NAME	REV
THIRD ANGLE PROJECTION			DIMENSIONS ARE TO BE MET BEFORE PROTECTIVE COATINGS ARE APPLIED			C	1	MTG-CSN-325	1
3D PTC			ASME Y14.5M-1994			SCALE	NONE	WEIGHT	SHEET 1 OF 1