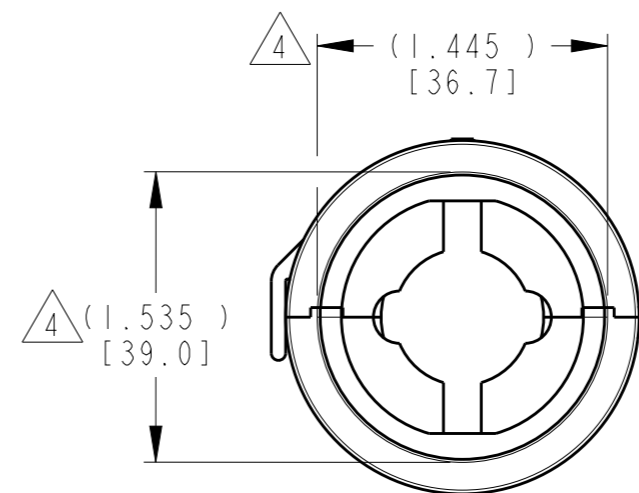
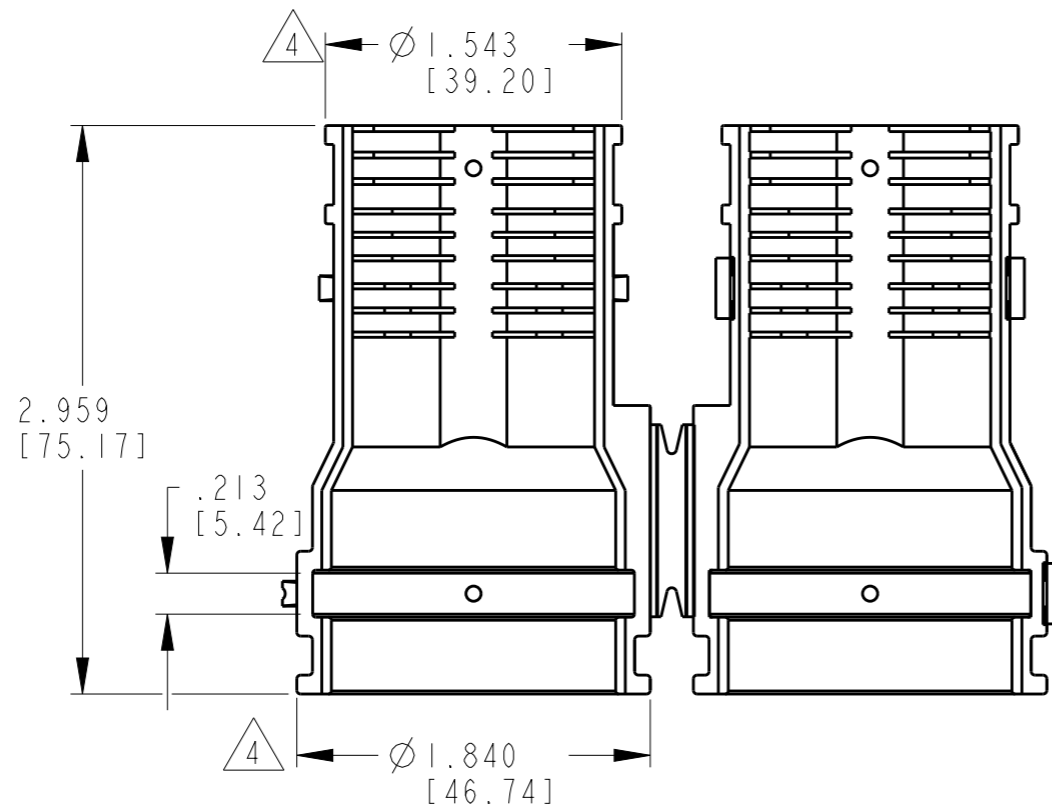


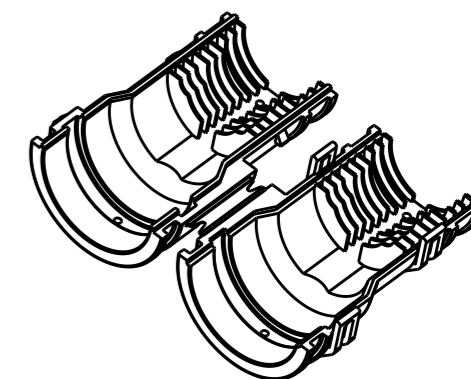
(C) 2019 TE Connectivity. All Rights Reserved.

REVISIONS

P	LTR	DESCRIPTION	DATE	DWN	APVD
	B	REVISED PER PCN E-19-009430	14JUN2019	MK	CF

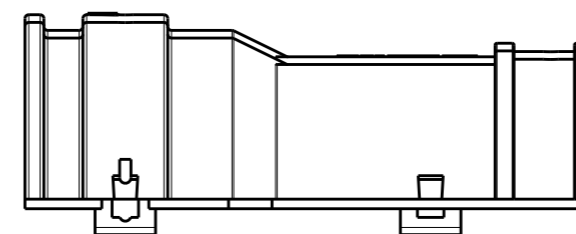
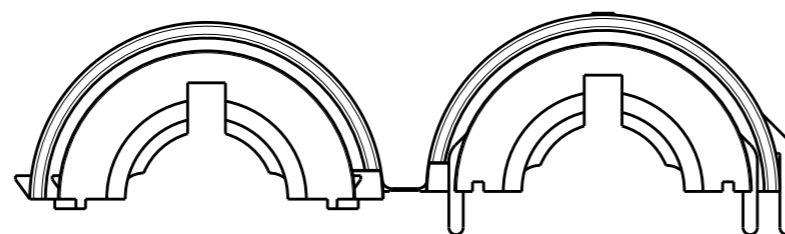
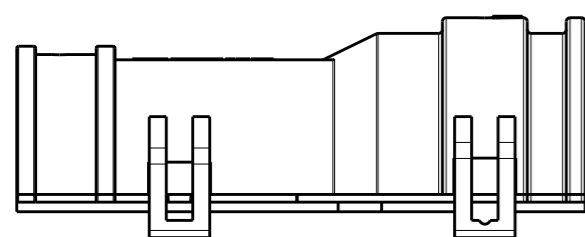


3-D VIEW  
CLOSED



3-D VIEW  
OPEN

OVAL SHAPE  
AFTER DEMOLDING



4 CIRCULAR DIMENSIONS CAN NOT BE MEASURED WITHOUT USING A GAGE OR AN ADEQUATE CONNECTOR DUE TO WARPAGE AFTER DEMOLDING.

3 MATERIAL: NYLON 66, COLOR: BLACK

2. SUITABLE WITH CORRUGATED TUBES SIZE NW 17, 19 AND 26.

1. THIS PART MATES WITH HDP24/26-24-XP/SX-L017.

NOTES:

TE INTERNAL PN	DEUTSCH PN
2428-010-2405	ZPF000000000146919

THIS DRAWING IS A CONTROLLED DOCUMENT.		DWN R. MESSENGER 20OCT2004		 TE Connectivity													
DIMENSIONS: INCH[mm]		CHK A. JAIME 30SEP2008															
TOLERANCES UNLESS OTHERWISE SPECIFIED:		APVD R. REED 01OCT2008		NAME BACKSHELL STRAIGHT SIZE 24													
<table border="0"> <tr><td>0 PLC</td><td>±-</td></tr> <tr><td>1 PLC</td><td>±-</td></tr> <tr><td>2 PLC</td><td>±-</td></tr> <tr><td>3 PLC</td><td>±.025[0.63]</td></tr> <tr><td>4 PLC</td><td>±-</td></tr> <tr><td>ANGLES</td><td>±0° 30' 0"</td></tr> </table>		0 PLC	±-	1 PLC	±-	2 PLC	±-	3 PLC	±.025[0.63]	4 PLC	±-	ANGLES	±0° 30' 0"	PRODUCT SPEC -		HDP L017 MODS ONLY	
0 PLC	±-																
1 PLC	±-																
2 PLC	±-																
3 PLC	±.025[0.63]																
4 PLC	±-																
ANGLES	±0° 30' 0"																
MATERIAL		APPLICATION SPEC -		TUBE SIZE NW 17, 19 AND 26													
FINISH -		WEIGHT 29 g		SIZE A3	CAGE CODE 4AFU8												
3		CUSTOMER DRAWING		DRAWING NO. 2428-010-2405													
		SCALE 1:1		RESTRICTED TO -													
		SHEET 1 OF 1		REV B													