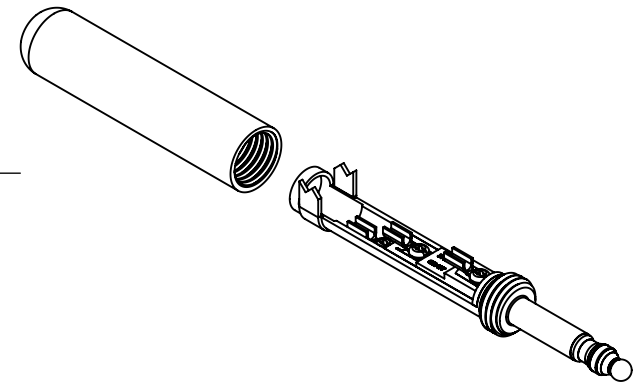
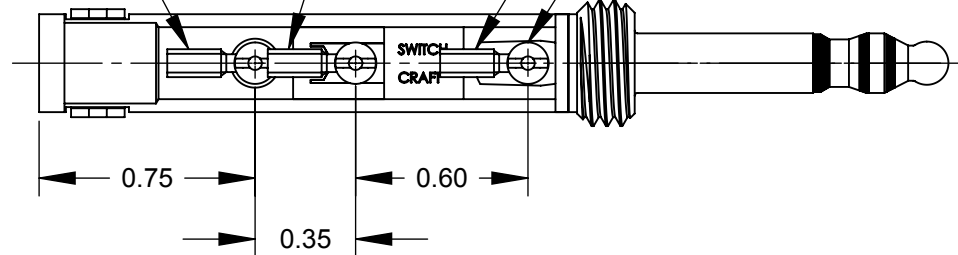
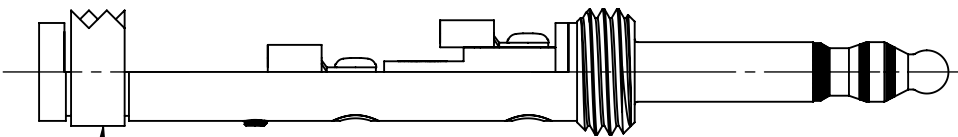


SLEEVE TERMINAL SEE NOTE 1
 RING TERMINAL SEE NOTE 1
 TIP TERMINAL SEE NOTE 1
 SCREWS (3) SEE NOTE 1

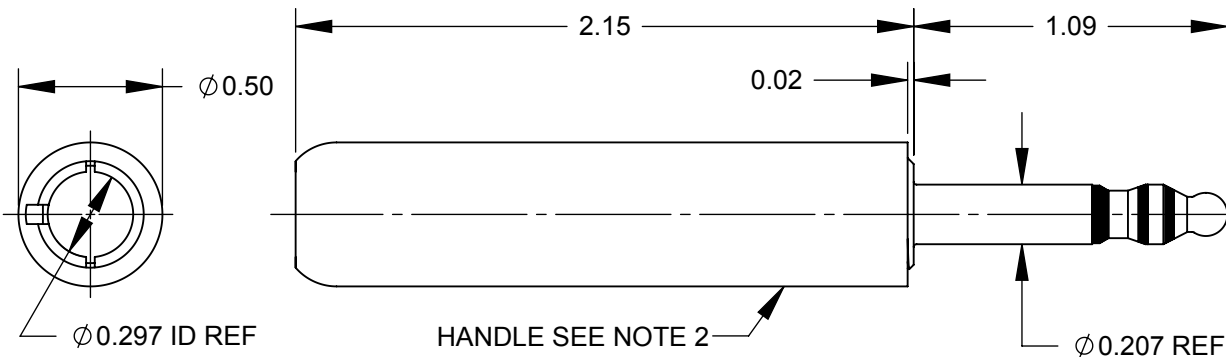


U CLAMP SEE NOTE 1



NOTES

1. TERMINALS, SCREWS & U CLAMP ARE SHIPPED UNASSEMBLED AS K171X HARDWARE KIT.
2. HANDLE IS SHIPPED UNASSEMBLED.
3. MATERIALS:
 PLUG - BRASS
 U CLAMP - STEEL, TIN PLATED
 TERMINALS - BRASS, TIN PLATED
 SCREWS - BRASS
 HANDLE & INSULATION - THERMOPLASTIC
4. THIS PRODUCT IS RoHS COMPLIANT.



CUSTOMER DRAWING

					THIS DRAWING DESCRIBES A DESIGN CONSIDERED PROPRIETARY IN NATURE, DEVELOPED AND MANUFACTURED BY SWITCHCRAFT INC. AND IS RELEASED ON A CONFIDENTIAL BASIS FOR IDENTIFICATION PURPOSES ONLY.				
					SIZE *	WIDTH *	MULT *	LBS/M *	TEMPER *
					FINISH *			MATERIAL *	
					SPEC No. *			SPEC No. *	
					FIRST USED ON *		SCALE 1.5:1		
A	26369	3-30-09	JEB	TJK	DATE DRAWN	BY	CHKD	APVD	Switchcraft®
REV	ECO NUMBER	DATE	BY	APVD	3-19-09	SRC	SRC	TJK	
REVISIONS					DO NOT SCALE DRAWING				
					NAME			PART No.	
					PLUG ASSEMBLY, RoHS			480X	
								REV A	



Mouser Electronics

Authorized Distributor

Click to View Pricing, Inventory, Delivery & Lifecycle Information:

[Switchcraft:](#)

[480](#) [480X](#)