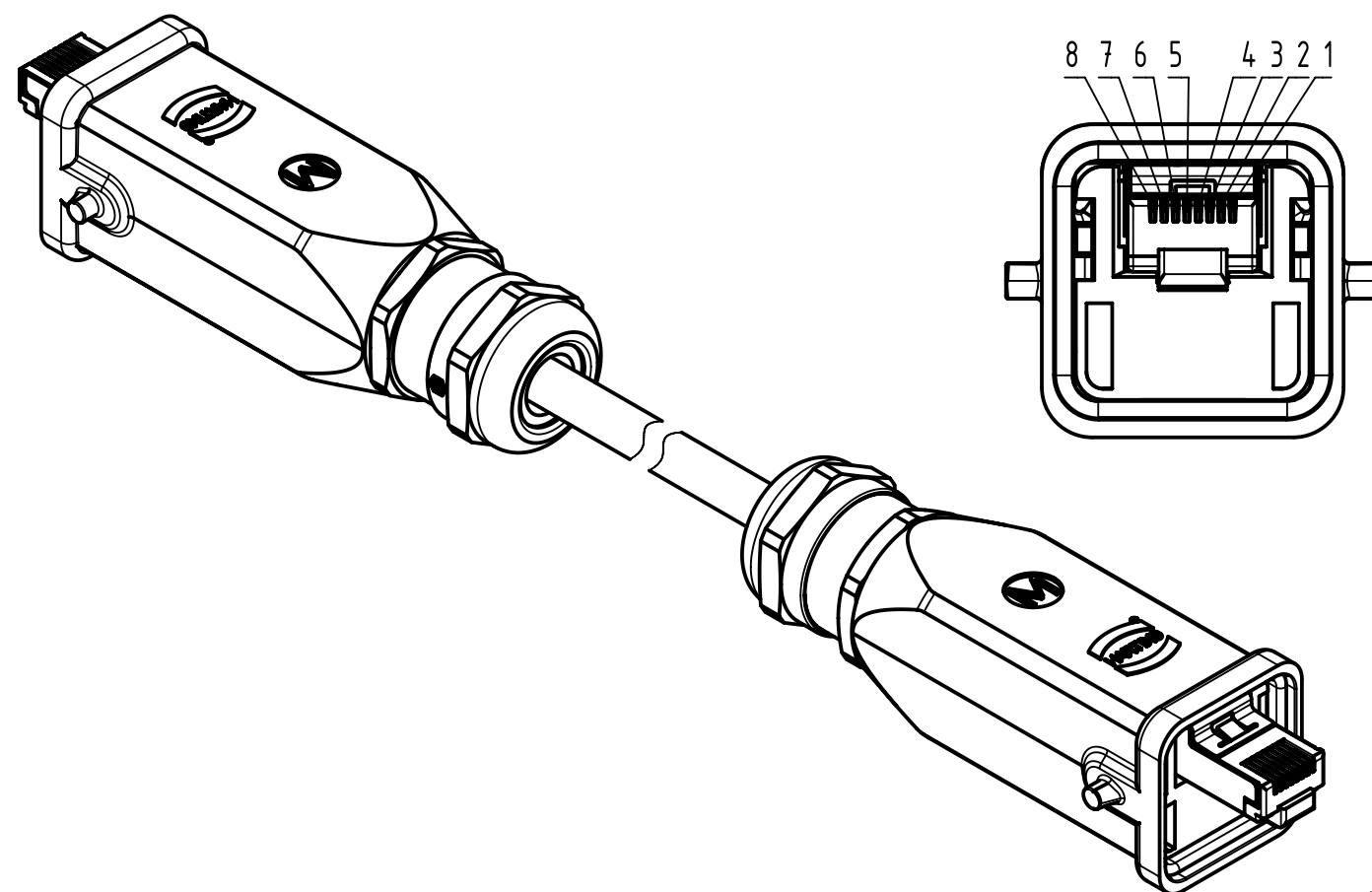
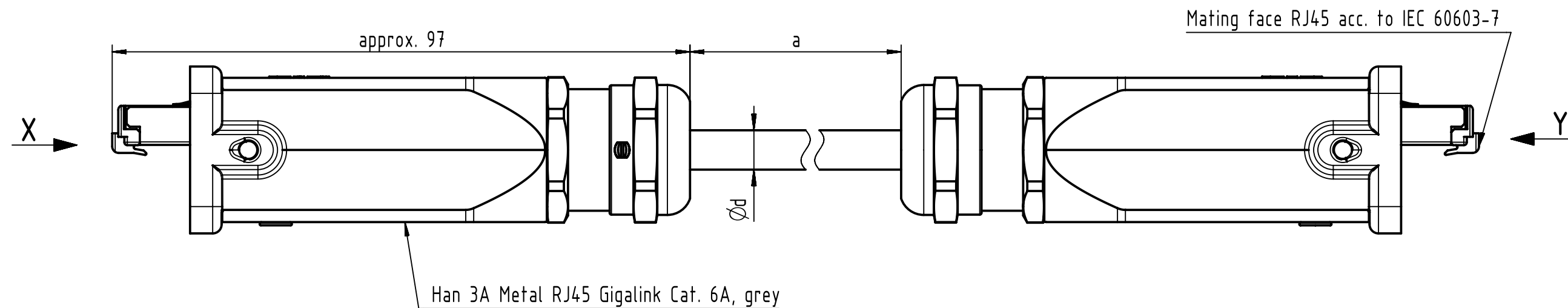
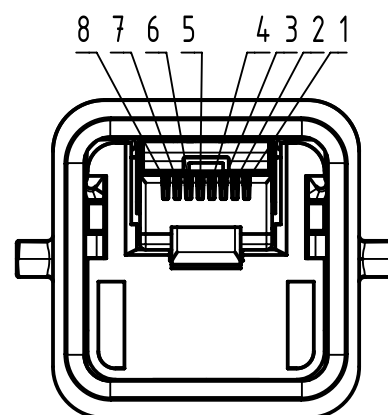


Connector Location A

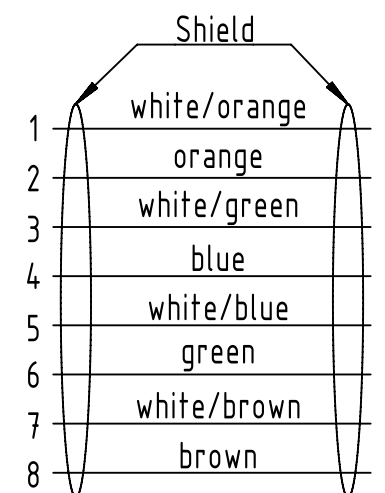
Connector Location B



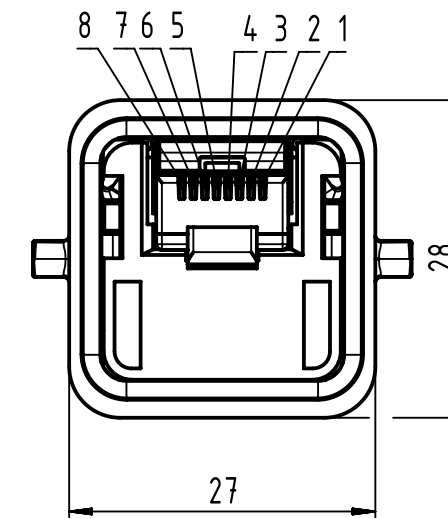
X
male



Loading Plan
acc. to TIA/EIA 568B



Y
male

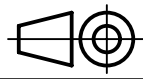



- Protection level: IP65/67
- Temperature range: see next page

	All rights reserved Department HCS - RO	Tech. Character.		Free size tol.		According to production drawing	
		Created by COSTEA Costea	Inspected by 402676 Gross	Standardisation MUNTEANV Muntean	Date 2020-05-06	State Final Release	
HARTING Customised Solutions D-32339 Espelkamp		Title Han 3A RJ45 Cable Assembly				Doc-Key / ECM-Nr. 100155415/UGD/012/K 500000173178	
		Type TB	Number 094571515XX			Rev. K	Page 1/2

Cont. no.	Part no.	Type of cable	Dim. d [mm]	Temp. range	Dim. a[m]
36	09457151578	RJ45 Ethernet Stranded Cable, 4x2xAWG 26/7, PUR, Cat. 6A, yellow	Ø6.7	- Fixed installation: -40°C ... +70°C - Dynamic installation: -40°C ... +70°C	100*
35	09457151577				40
34	09457151576				30
33	09457151575				25
32	09457151574				20
31	09457151573				15
30	09457151572				10
29	09457151571				9
28	09457151570				8
27	09457151569				7
26	09457151568				6
25	09457151567				5
24	09457151566				4
23	09457151565				3
22	09457151564				2
21	09457151563				1.5
20	09457151562				1
19	09457151561				0.5
18	09457151553				RJ45 Ethernet Stranded Cable, 4x2xAWG 26/7, PVC, Cat. 6A, yellow
17	09457151552	15			
16	09457151551	10			
15	09457151532	30			
14	09457151531	9			
13	09457151530	8			
12	09457151529	7			
11	09457151528	6			
10	09457151527	5			
9	09457151535	4.4			
8	09457151526	4			
7	09457151534	3.4			
6	09457151525	3			
5	09457151533	2.2			
4	09457151524	2			
3	09457151523	1.5			
2	09457151522	1			
1	09457151521	0.5			

NOTE:
* Ethernet transmission possible for lengths up to 45m

50	09457151594	RJ45 Ethernet Stranded Cable, 4x2xAWG 26/7, PVC, outdoor, Cat. 6A, black	Ø6.6	- Fixed installation: -20°C ... +70°C - Dynamic installation: -20°C ... +70°C	20			
49	09457151593				15			
48	09457151592				10			
47	09457151591				9			
46	09457151590				8			
45	09457151589				7			
44	09457151588				6			
43	09457151587				5			
42	09457151586				4			
41	09457151585				3			
40	09457151584				2			
39	09457151583				1.5			
38	09457151582				1			
37	09457151581				0.5			
Cont. no.	Part no.				Type of cable	Dim. d [mm]	Temp. range	Dim. a[m]
							All Dimensions in mm Tech. Character. Free size tol. According to production drawing	
 All rights reserved Department HCS - RO					Created by COSTEA Costea	Inspected by 402676 Gross	Standardisation MUNTEANV Muntean	Date 2020-05-06 State Final Release
HARTING Customised Solutions D-32339 Espelkamp					Title Han 3A RJ45 Cable Assembly			Doc-Key / ECM-Nr. 100155415/UGD/012/K 500000173178
					Type TB	Number 094571515XX		Rev. K Page 2/2

Mouser Electronics

Authorized Distributor

Click to View Pricing, Inventory, Delivery & Lifecycle Information:

HARTING:

[09457151523](#) [09457151525](#) [09457151527](#) [09457151551](#) [09457151563](#) [09457151565](#) [09457151567](#)
[09457151572](#) [09457151573](#) [09457151574](#) [09457151575](#) [09457151576](#) [09457151532](#) [09457151552](#)