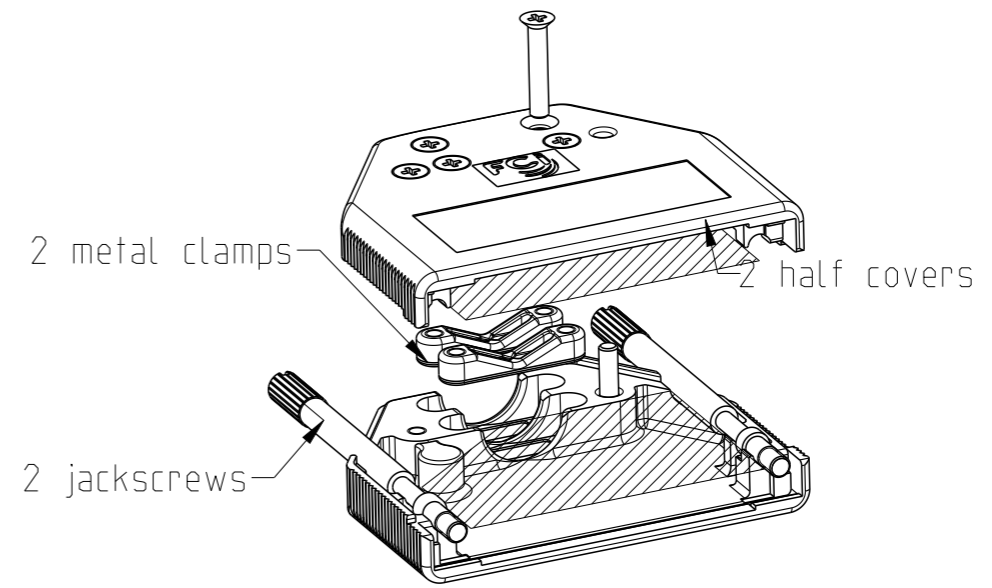
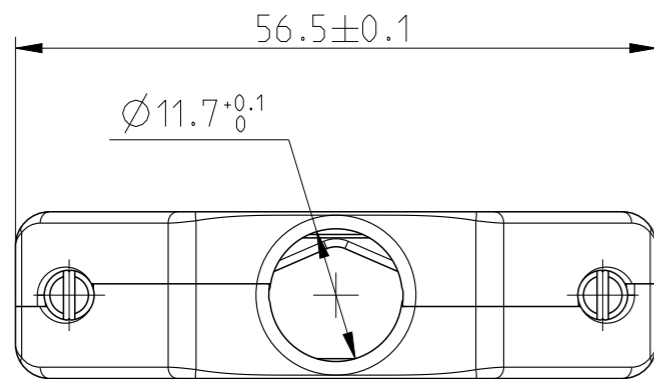


SIZE	Part Number	Jack Screw Thread	Packing
25	8655MH2501LF	UNC 4-40	bulk : Qty 60
	8655MH2511LF		individual set 50 sets/carton
	8655MH2502LF	M3	bulk : Qty 60
	8655MH2512LF		individual set 50 sets/carton

NOTE:RoHS INFORMATIONS

-The LF product meets European union Directives and other country regulations as described in GS-22-009
 -The product is not intended to be exposed to a manufacturing solder process
 -Packaging spec:see GS-14-920

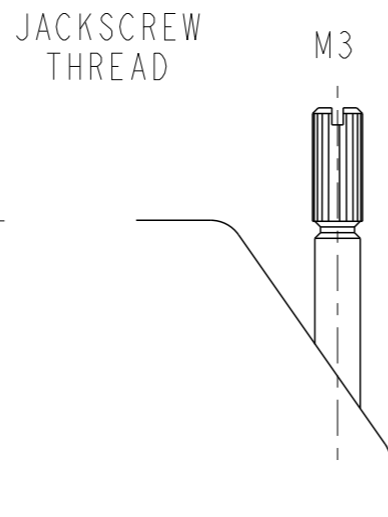
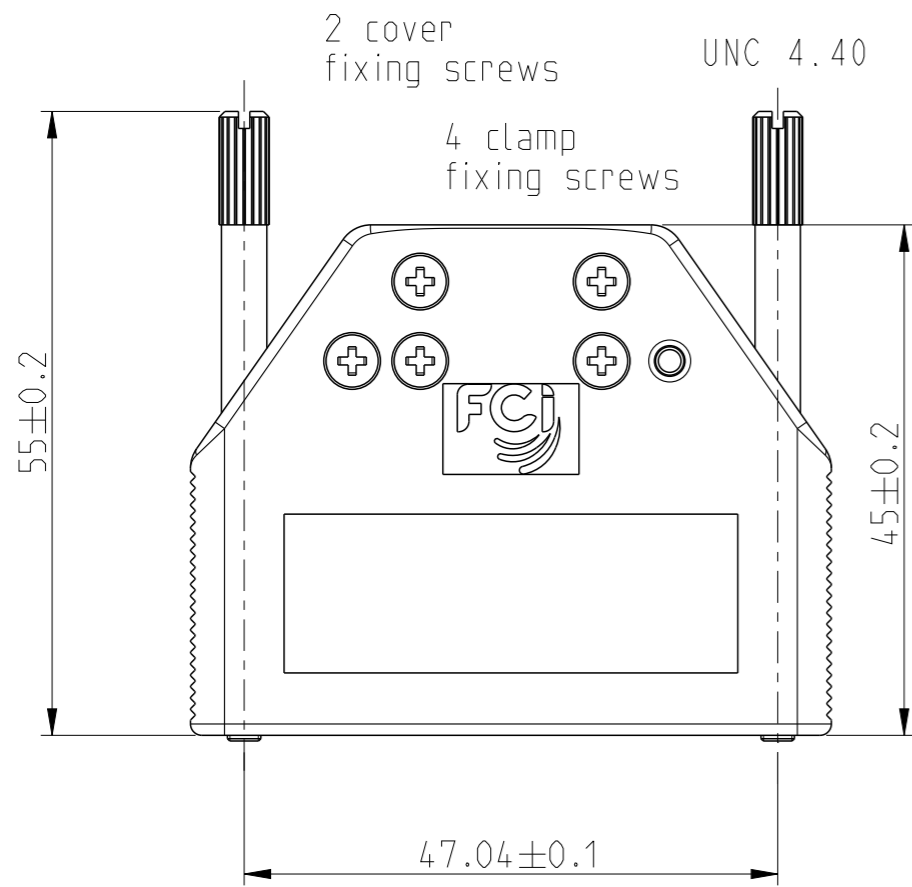


SCALE 1:1

NOTES : for every sizes

Material and finish : Zinc die-cast
 nickel plated
 Cable strain relief : Zinc die-cast
 Jackscrew : Brass, nickel plated
 UNC 4-40 or M3 (see tables)
 Temperature range : -55°C to +125°C
 Attenuation factor : >40 dB between 10 MHz

Other size details : see on next pages.



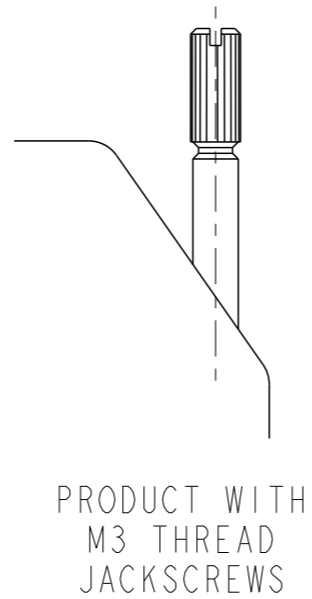
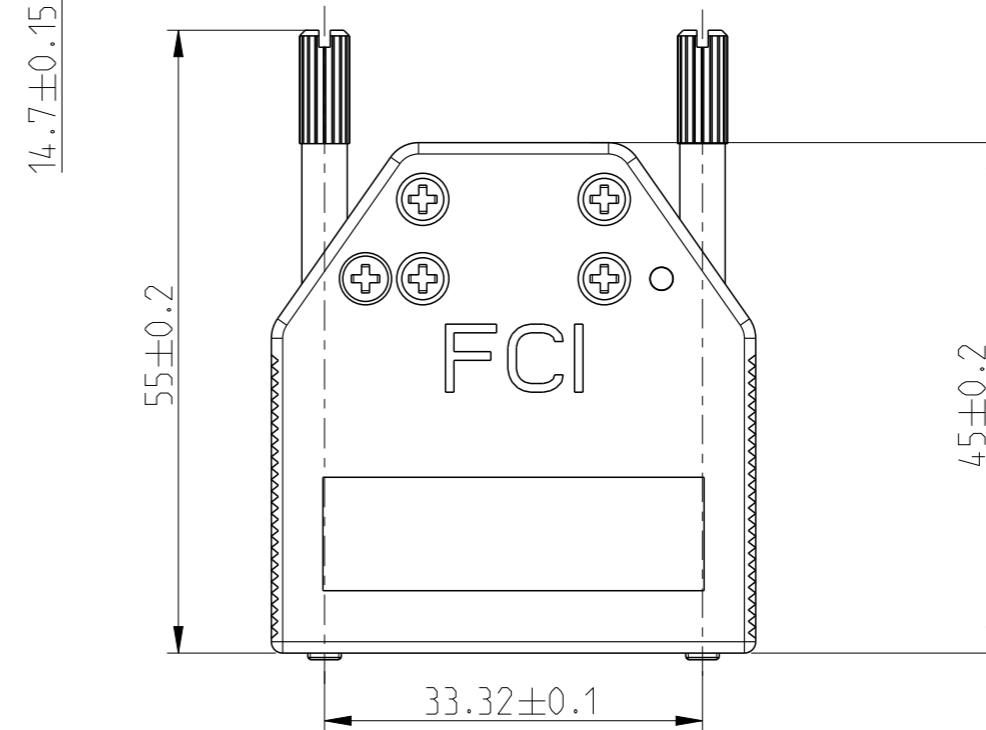
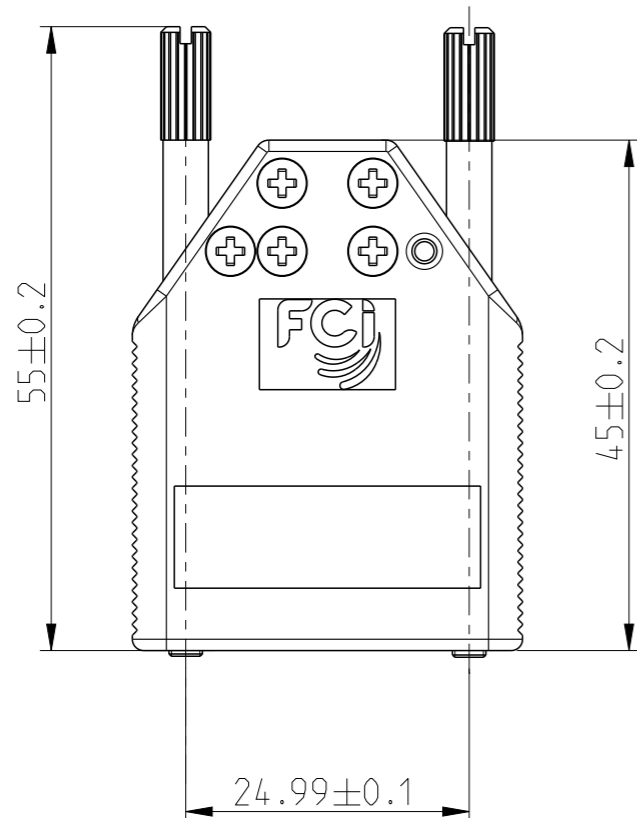
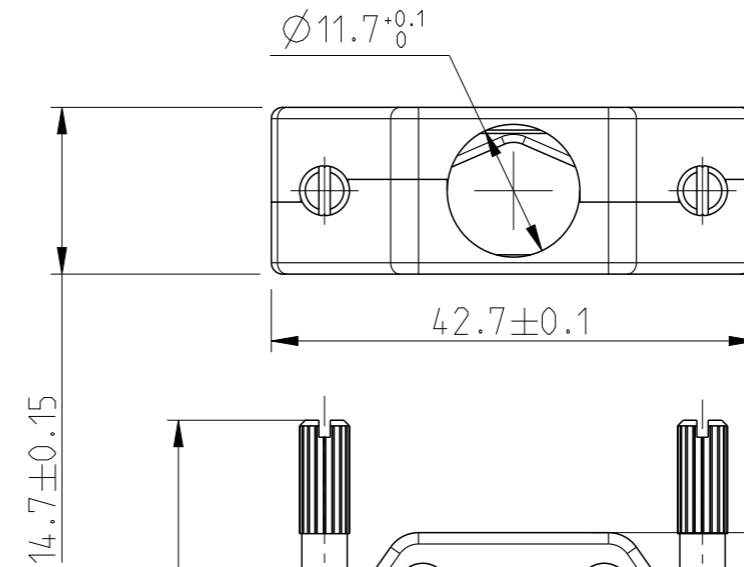
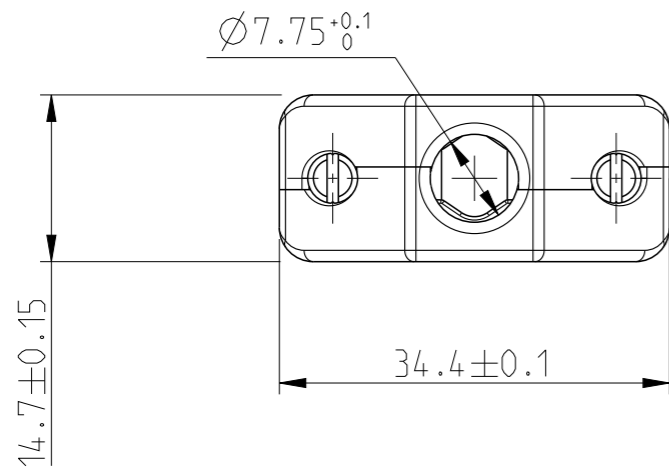
spec ref	dr	A Parrenin	2009/05/20	projection	mm	size	A3	scale	3:2
tolerance std	eng	J Dalibard	2015/09/10			ecn no	ELX-B-20414-1		
ISO 406 ISO 1101	chr	J Dalibard	2015/09/10				rel level	Released	
surface	linear	0.X	±/		STRAIGHT METAL HOODS WITH 2 METAL CLAMPS	dwg no	C-8655-1685C		
		0.XX	±/				cat. no.	-	Product - Customer Drw
0.XXX	±/	www.fci.com	PDS: Rev :D						
ISO 1302	angular	0°	±/°	rev	D				



Copyright FCI.

SIZE	Part Number	Jack Screw Thread	Packing
09	8655MH0901LF	UNC 4-40	bulk : Qty 80
	8655MH0911LF		individual set 50 sets/carton
	8655MH0902LF	M3	bulk : Qty 80
	8655MH0912LF		individual set 50 sets/carton

SIZE	Part Number	Jack Screw Thread	Packing
15	8655MH1501LF	UNC 4-40	bulk : Qty 80
	8655MH1511LF		individual set 50 sets/carton
	8655MH1502LF	M3	bulk : Qty 80
	8655MH1512LF		individual set 50 sets/carton



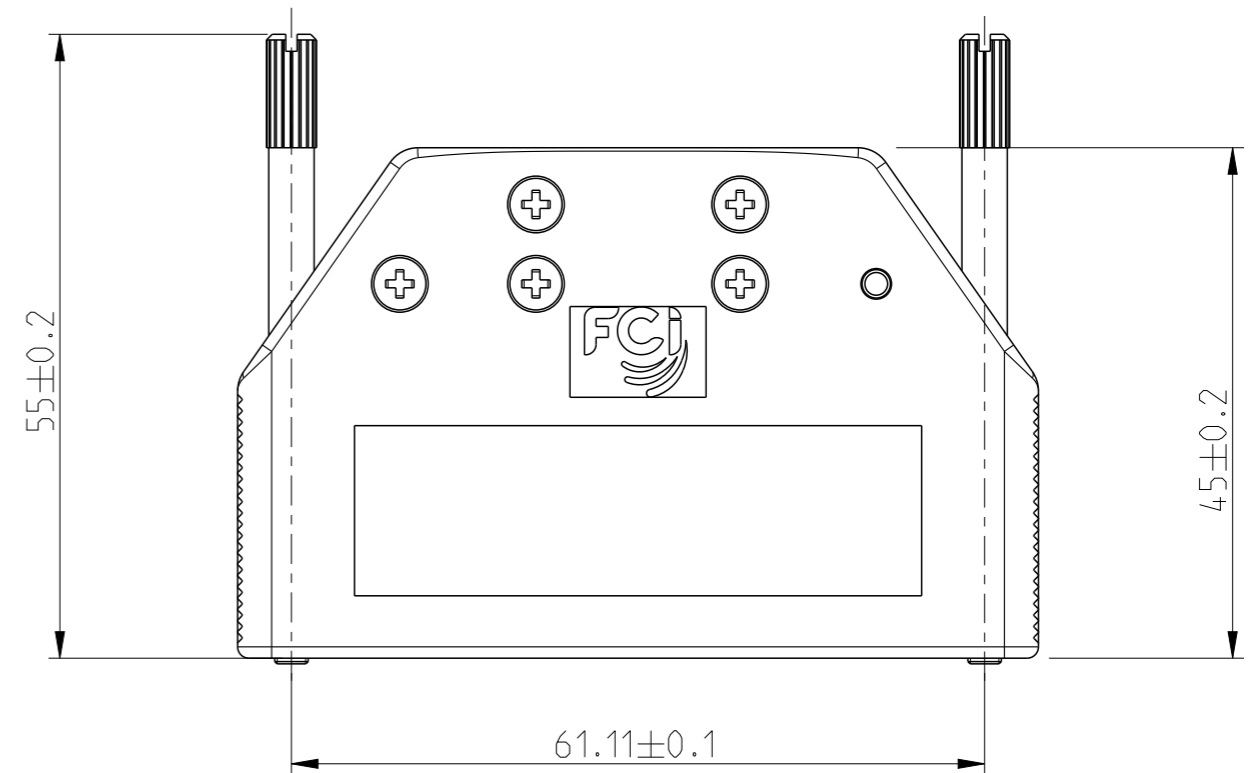
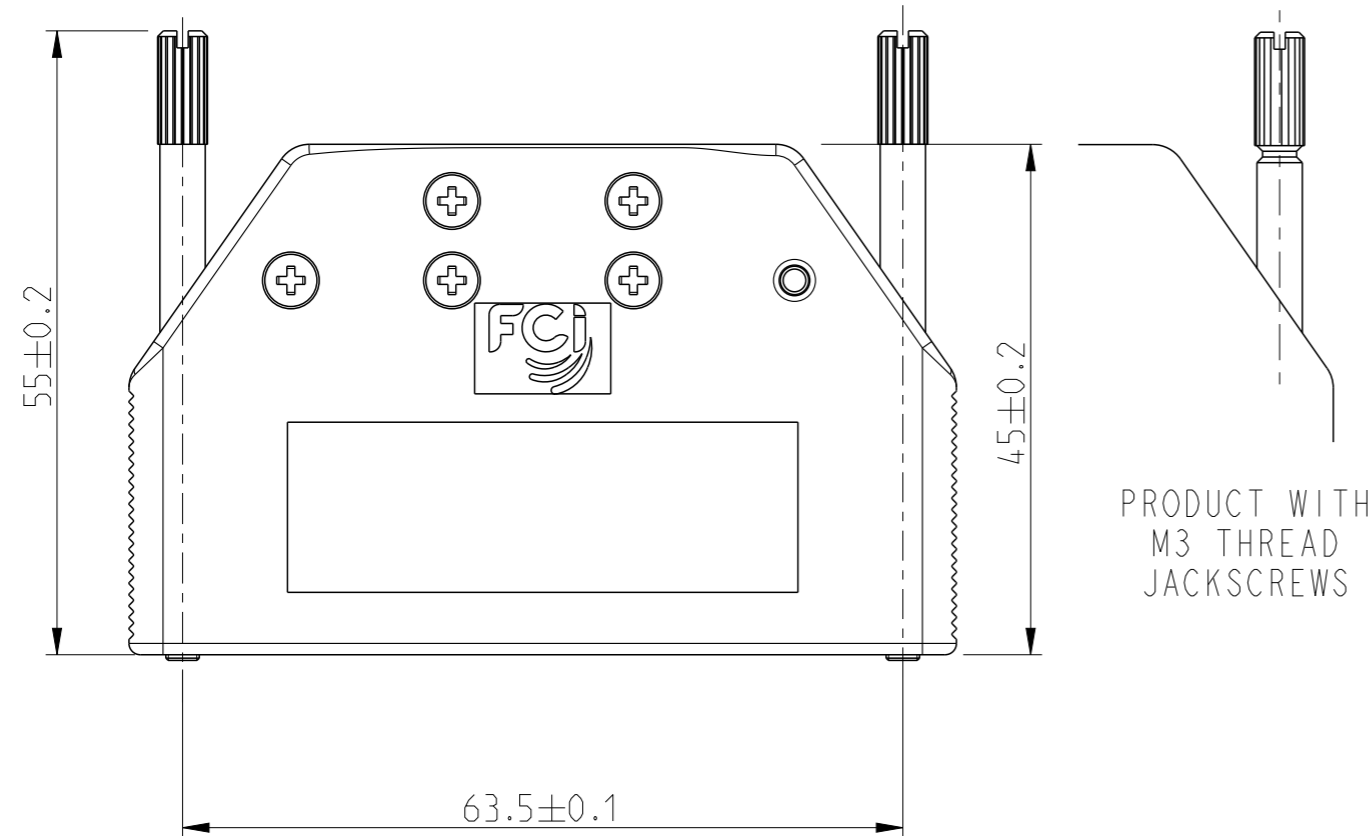
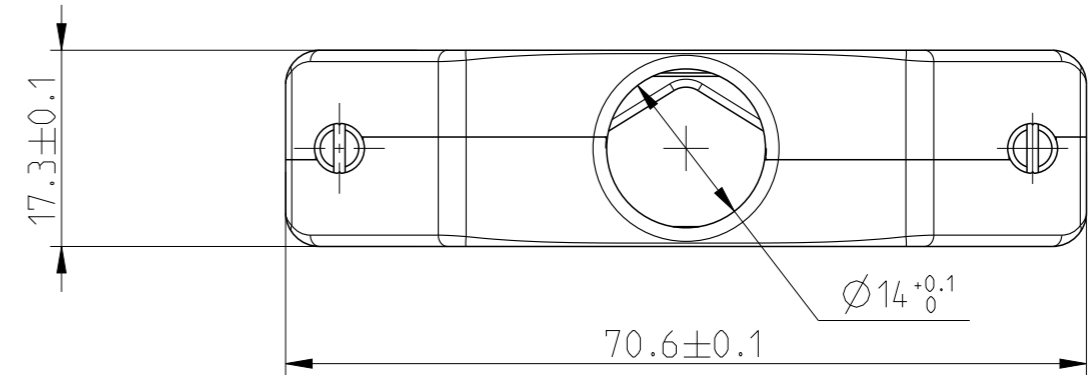
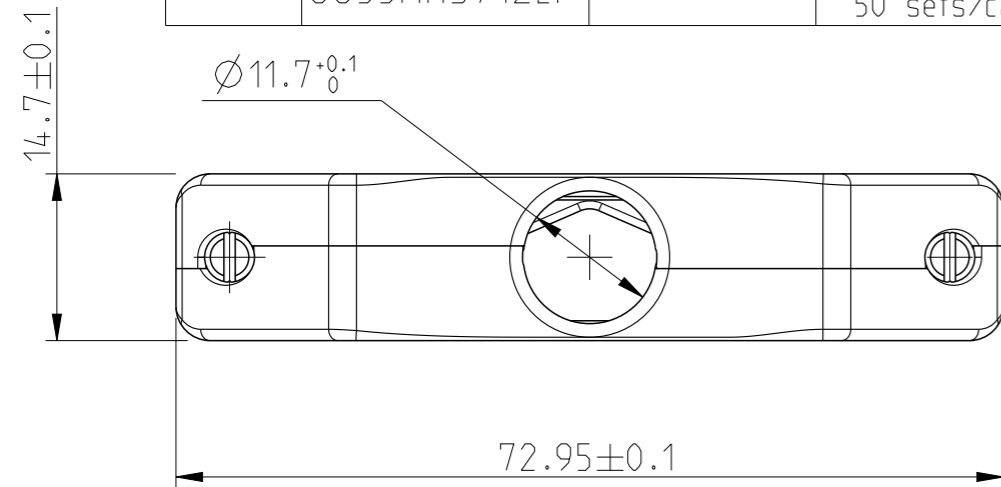
spec ref	dr	A Parrenin	2009/05/20	projection	mm	size	A3	scale	3:2
tolerance std	eng	J Dalibard	2015/09/10			ecn no	ELX-B-20414-1		
ISO 406 ISO 1101	chr	J Dalibard	2015/09/10			rel level	Released		
surface	appr	Aymeric Soudy	2015/09/11	product family	-	rel level	Released		
ISO 1302	linear	0.X	±/		title STRAIGHT METAL HOODS WITH 2 METAL CLAMPS	dwg no C-8655-1685C	rev D		
		0.XX	±/						
	angular	0°	±/°						
www.fci.com				cat. no.	-	Product - Customer Drw		sheet 2 of 4	



Copyright FCI.

SIZE	Part Number	Jack Screw Thread	Packing
37	8655MH3701LF	UNC 4-40	bulk : Qty 40
	8655MH3711LF		individual set 50 sets/carton
	8655MH3702LF	M3	bulk : Qty 40
	8655MH3712LF		individual set 50 sets/carton

SIZE	Part Number	Jack Screw Thread	Packing
50	8655MH5001LF	UNC 4-40	bulk : Qty 40
	8655MH5011LF		individual set 50 sets/carton
	8655MH5002LF	M3	bulk : Qty 40
	8655MH5012LF		individual set 50 sets/carton

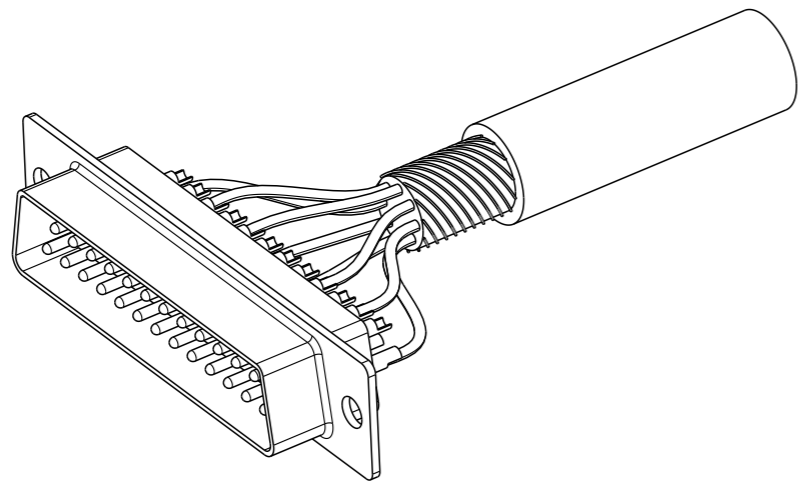


PRODUCT WITH
M3 THREAD
JACKSCREWS

spec ref	dr	A Parrenin	2009/05/20	projection	mm	size	A3	scale	3:2	
tolerance std	eng	J Dalibard	2015/09/10			ecn no	ELX-B-20414-1	rel level	Released	
ISO 406 ISO 1101	chr	J Dalibard	2015/09/10							product family
surface	appr	Aymeric Soudy	2015/09/11			dwg no	C-8655-1685C		rev	
ISO 1302	linear	0.X	±/	STRAIGHT METAL HOODS WITH 2 METAL CLAMPS		www.fci.com	cat. no.	-	Product - Customer Drw	sheet 3 of 4
	angular	0°	±/°							D

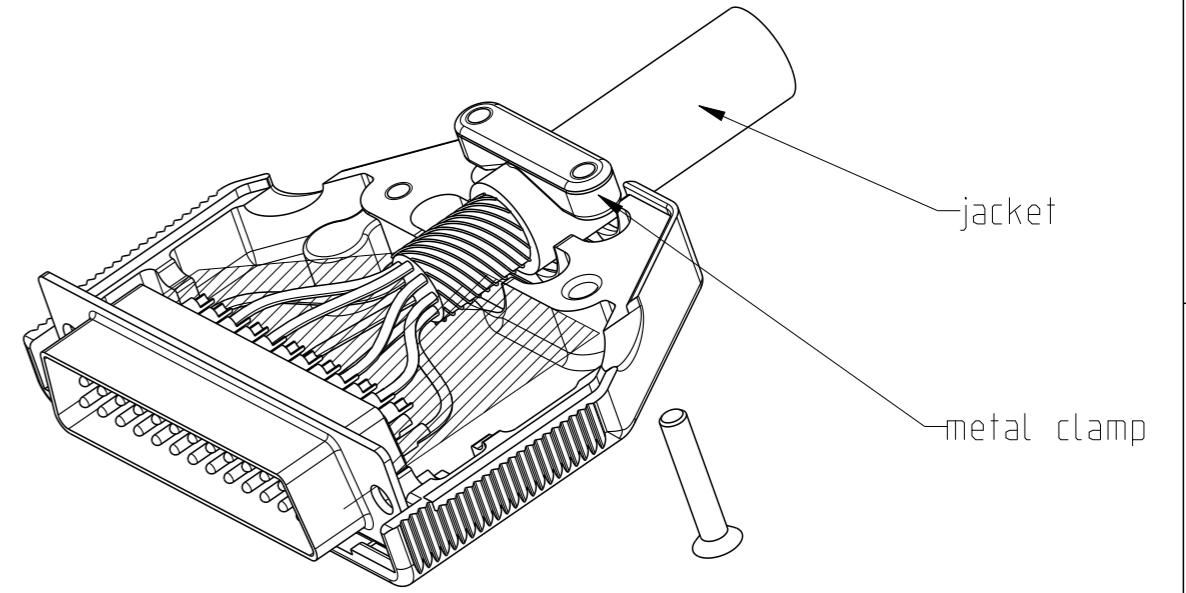
CABLING INSTRUCTIONS

1- Strip the cable and solder or crimp the wires



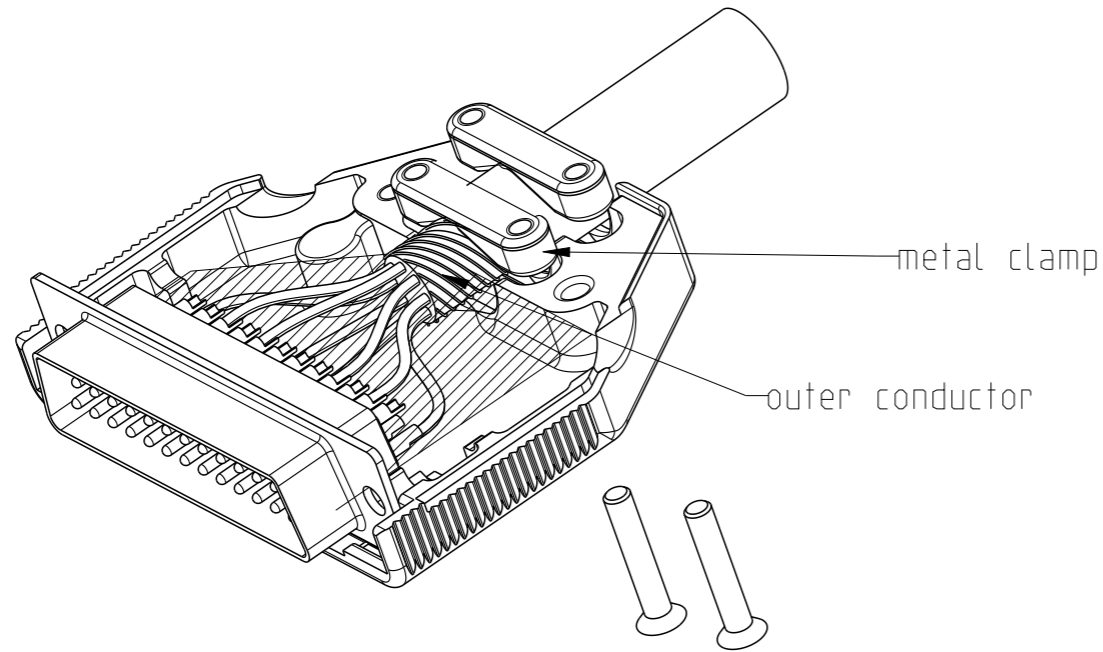
SCALE 3:2

2-Put the connector into a half hood and tighten the jacket with a metal clamp



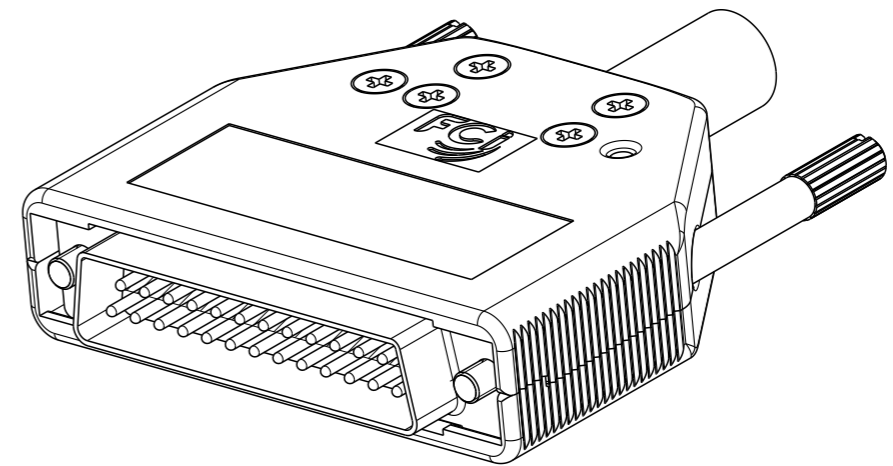
SCALE 3:2

3-To get the electrical continuity between the cable outer conductor and the hood tighten the outer conductor with the other metal clamp as shown



SCALE 3:2

4-Mount the jackscrews, the other half hood and tighten with 2 screws



Copyright FCI.

spec ref		dr	A Parrenin	2009/05/20	projection	mm	size	A3	scale	1:1
tolerance std		eng	J Dalibard	2015/09/10			ecn no	ELX-B-20414-1		
ISO 406 ISO 1101		chr	J Dalibard	2015/09/10				rel level	Released	
TOLERANCES UNLESS OTHERWISE SPECIFIED		appr	Aymeric Soudy	2015/09/11	product family					
surface		linear	0.X	±/		title STRAIGHT METAL HOODS WITH 2 METAL CLAMPS	dwg no C-8655-1685C	rev		D
			0.XX	±/						
		angular	0°	±/°	www.fci.com	cat. no.	Product - Customer Drw		sheet 4 of 4	

Mouser Electronics

Authorized Distributor

Click to View Pricing, Inventory, Delivery & Lifecycle Information:

[FCI / Amphenol:](#)

[8655MH0902LF](#) [8655MH1502LF](#) [8655MH2502LF](#) [8655MH0911LF](#) [8655MH1501LF](#) [8655MH1511LF](#)
[8655MH2511LF](#) [8655MH3711LF](#) [8655MH5011LF](#) [8655MH2512LF](#) [8655MH5012LF](#) [8655MH1512LF](#)
[8655MH0912LF](#)