

PRODUCT NUMBER
75168-YXX-XXLF

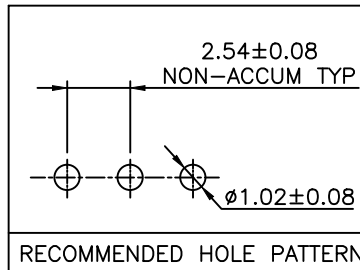
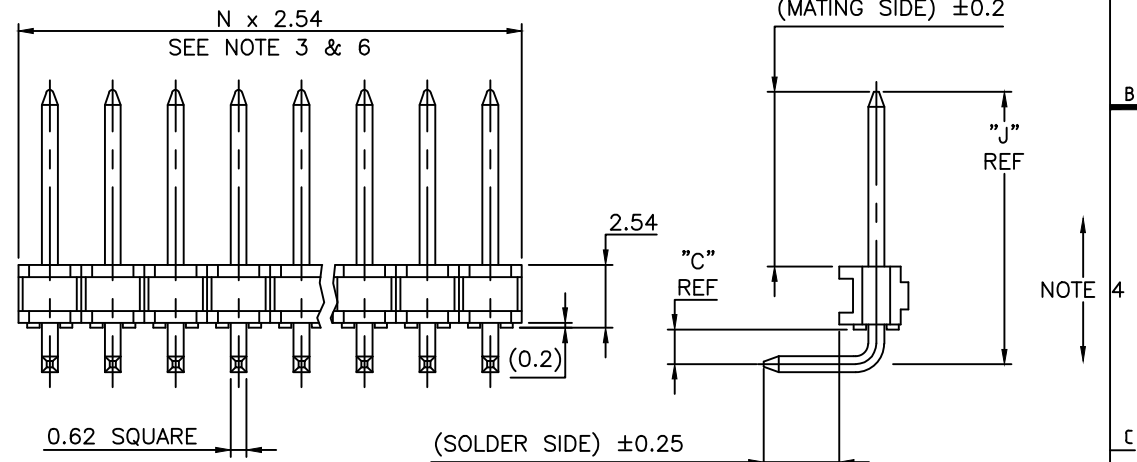
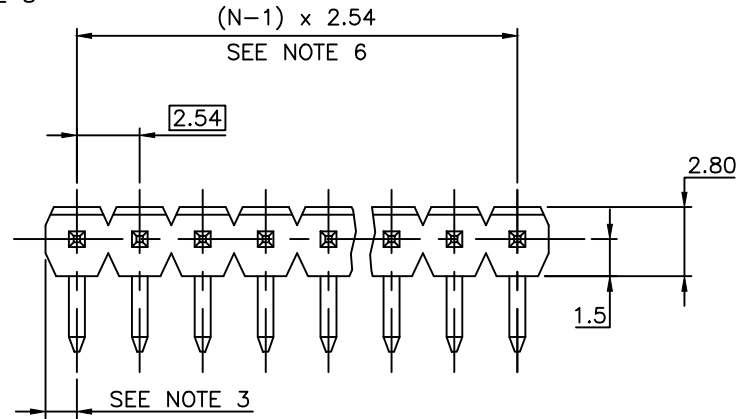
RoHS COMPLIANT & COMPATIBLE, SEE NOTE 8
TOTAL NB OF POSITIONS 02 TO 36
PIN STYLE SEE SHEET 2

PLATING:

- 1 = 0.76µm FULL GOLD/GXT
- 3 = 2µm MIN MATTE TIN FULL PLATED
- 8 = 0.38µm FULL GOLD/GXT
- 1.27µm Ni MIN UNDERPLATING

NOTES:

1. HOUSING MAT'L : HIGH TEMPERATURE THERMOPLASTIC FLAME RETARDANT PER UL94-V0, COLOR BLACK.
2. PIN MATERIAL : PHOSPHOR BRONZE.
3. DIM 1.27^{+0.03}/_{-0.03} FOR MOULDED SIDE(S) ONLY. IF SIDE(S) ARE BROKEN, DIM 1.02 TO 1.7 MAX APPLIES.
4. PIN PUSH OUT FORCE : 12N MIN.
5. PRODUCT PACKAGED IN POLY BAGS.
6. TO DETERMINE DIMENSIONS :
N = NUMBER OF POSITIONS
EXAMPLE : 8 POS N x 2.54 = 20.32mm
7. FOR STANDARD SELECTIVE GOLD PLATED PRODUCTS, SEE DRAWING 77315.
8. RoHS COMPATIBLE PRODUCT SPECIFICATIONS
 - a - "LF" MEANS THE PRODUCT IS LEAD-FREE
 - b - MANUFACTURING PROCESS COMPATIBILITY
 - THE HOUSING WILL WITHSTAND EXPOSURE TO 260°C ±5°C SOLDER BATH TEMPERATURE FOR 5 SECONDS IN A WAVE SOLDER APPLICATION WITH A 1.6mm MIN THICK CIRCUIT BOARD.
 - c - LABELING:
 - MEETS PACKAGING SPECS AS PER GS-14-920
 - d - LEGAL STATEMENT: SEE GS-47-0004



mat'l. code SEE NOTE 1		surface ISO 1302 ✓ ISO 406 ISO 1101		tolerance ISO 406 ISO 1101		projection mm		product family BSTIK	
lfr ecn no dr date		tolerances unless otherwise specified		angles Linear .x ±0.3 .xx ±0.15 xxx ±0.05		scale 5:1		title HEADER, SR, RA, POL, 2.54mm	
AG	F06-0196	LMU	06.06.20					dwg no 75168	
AH	F08-0148	JCO	08.05.27					sheet 1 of 2 size A3	
AJ	F12-0042	LMU	12.04.04					type CUSTOMER Drawing	
AK	F12-0802	LMU	12.10.25	dr	MULIN L	99.03.29			
AL	B-19261	LMU	14.10.31	engr	JMC	99.03.29			
AF	F05-0186	LMU	05.05.02	chr					
appd	JMC	99.03.29							
sheet index	revision sheet	AL	AG						
		1	2						

APPLICATION SPECIFIC				
PIN	STYLE	MATING	SOLDER	"C" "J"
01		5.72	2.57	1.4 9.65
02		5.72	5.11	1.4 9.65
03		5.72	7.65	1.4 9.65
04		5.72	10.19	1.4 9.65
05		5.72	12.73	1.4 9.65
06		5.72	15.27	1.4 9.65
07		5.72	5.11	3.94 12.19
08		5.72	7.65	3.94 12.19
09		5.72	10.19	3.94 12.19
10		5.72	12.73	3.94 12.19
11		5.72	15.27	3.94 12.19
13		5.72	3.45	1.4 9.65
14		5.72	5.99	3.94 12.19
15		5.72	8.53	6.48 14.73
16		8.51	3	1.4 12.45
17		8.51	5.54	3.94 14.99
19		5.72	3.05	1.4 9.66
20		5.84	2.29	1.4 9.78
21		5.72	11.07	9.02 17.27
22		11.71	3.2	1.4 15.65
23		3	2.94	1.94 7.44
24		4.8	6.16	1.94 9.28
27		3.55	3.3	1.4 7.49
28		10	3.2	1.4 13.94
29		7.30	7.30	1.4 11.24
30		8.10	12.50	1.4 12.04
31		6.70	3.00	1.4 10.64



FCIconnect.com

Copyright FCI

mat'l. code		SEE SHEET 1		surface		tolerance		projection		product family	
				ISO 1302 <input checked="" type="checkbox"/>		ISO 406 ISO 1101				BSTIK	
ltr	ecn no	dr	date	tolerances unless otherwise specified						title	
AG	F12-0802	LMU	12.10.25	angles	linear			mm		HEADER,SR,RA, POL,2.54mm	
AB	F00196	LMU	00.04.19					scale			
AC	F10167	LMU	01.03.12	dr	MULIN L	99.03.29			dwg no		sheet 2 of - size
AD	F20116	DLE	02.01.15	enrg	JMC	99.03.29			75168		A3
AE	F06-0196	LMU	06.06.20	chr					type		CUSTOMER Drawing
AF	F12-0042	LMU	12.04.04	appd	JMC	99.03.29					
sheet index	revision sheet										



Mouser Electronics

Authorized Distributor

Click to View Pricing, Inventory, Delivery & Lifecycle Information:

[FCI / Amphenol:](#)

[75168-101-03LF](#) [75168-102-36LF](#) [75168-107-36LF](#) [75168-114-36LF](#) [75168-116-20LF](#) [75168-307-04LF](#) [75168-310-04LF](#) [75168-319R06LF](#) [75168-102-02LF](#) [75168-103-06LF](#) [75168-103-09LF](#) [75168-113-04LF](#) [75168-201-13LF](#) [75168-201-36LF](#) [75168-302-20LF](#) [75168-303-09LF](#) [75168-313-14LF](#) [75168-313-18LF](#) [75168-101-36LF](#) [75168-101-05LF](#) [75168-101-04LF](#)