

Browse Search Results for '22AF0875' (Metric)

[Search](#)
[Need Help?](#)

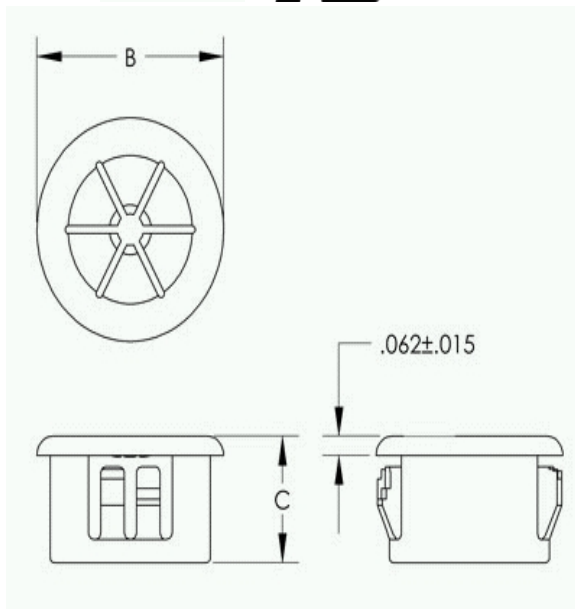
Select Product Family Wire Handling Hardware and Accessories



Select Product Category All-Fit Adjustable Bushings

View Item Detail - 1 Items Found

All-Fit Adjustable Bushings



Micro Plastics Nylon "ALL-FIT" Adjustable Bushings are designed to protect wire, cable, tubing, or irregular shaped items from sharp, unfinished edges. The specially designed, resilient multiple supports absorb shock and vibration, and adjust to accept various diameters and shapes. The All-Fit Bushing is equipped with multiple locks to positively snap in panel thickness ranging from 1/32" to 1/8". Molded in heat stabilized nylon UL94V2 black. Colors available upon request.

[View Product Demonstration Video](#)

[Filter List](#) [Advanced Sort](#) [Display Options](#)

Item Number	Description	Package Qty	Chassis Hole Dia.	Maximum Thickness	Head Dia. B	Thickness C	Max. I.D.
22AF0875	7/8 All-Fit Bushing	1000	0.875 [22,23]	0.125 [3,18]	0.937 [23,80] (+/- .015)	0.453 [11,51] (+/- 0.015)	0.562 [14,27]

Show Dimension Tolerances
(Values in [] are Metric Conversions)

Packaged 1000 Per Bag - Must be purchased in packaged quantity.

[HOME](#) : [CATALOG](#) : [FULL CATALOG](#)