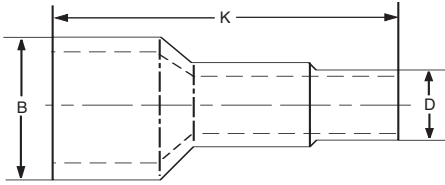


## Accessories

### Boot

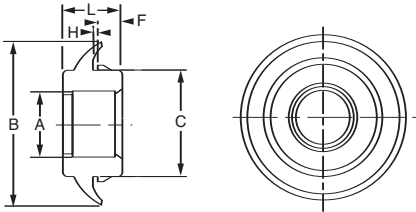
Seals wired cable jackets to connector housing. It also provides abrasion resistance.



For connector size	Order ref.	B Ø max.	D Ø max.	outer cable Ø	K max.
2 contacts	317-1398-000	16,51	9,65	5,28 – 5,79	52,07
3/4 contacts	317-1397-000	15,49	9,65	5,59 – 6,10	52,07
3/4 contacts	317-1399-000	19,05	12,70	8,76 – 9,65	52,07
5/7 contacts	317-8657-000	27,0	12,50	7,20 – 8,40	62,00
8/9/10 cont.	317-8657-002	31,2	16,2	10 – 12,4	63,7

### Grommet

Grommets enable panel mounting of either plugs or receptacle. It snaps into a hole of a panel so non-flanged plugs or receptacles can be mounted.



For connector size	Order ref.	A Ø max.	B Ø max.	C Ø max.	F max.	H max.	L max.
2 contacts	315-1640-000	10,41	32,39	19,18	5,84	1,40	17,53
3/4 contacts	315-1641-000	11,94	32,39	19,18	5,84	1,40	17,53
5/6/7 contacts	315-1633-000	19,43	55,88	36,70	8,00	1,65	20,57
8/9/10 cont.	315-1634-000	22,61	55,88	36,70	8,00	1,65	20,57

### Wire Fillers

Wire hole fillers are inserted into unused cavities instead of a contact in order to create a watertight sealing.

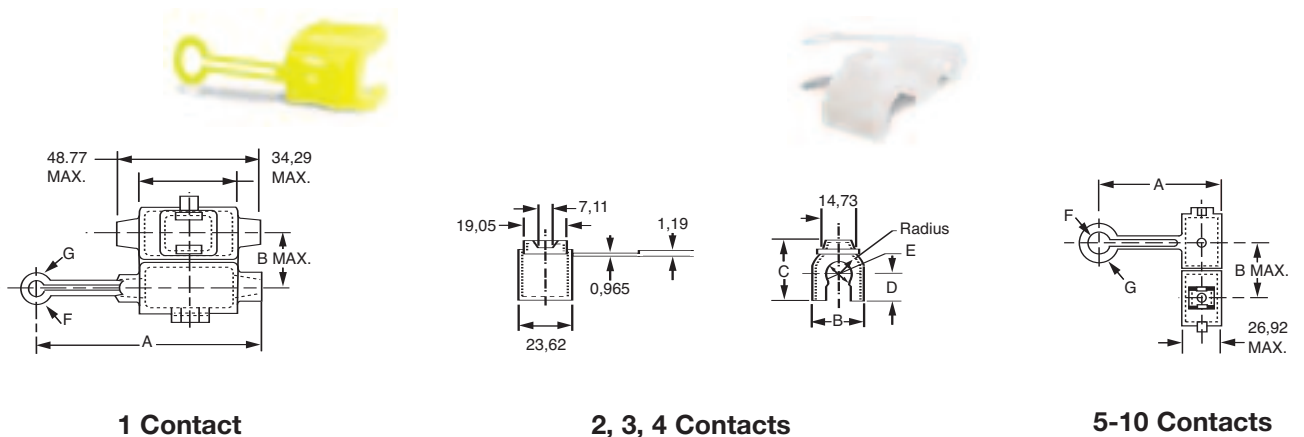
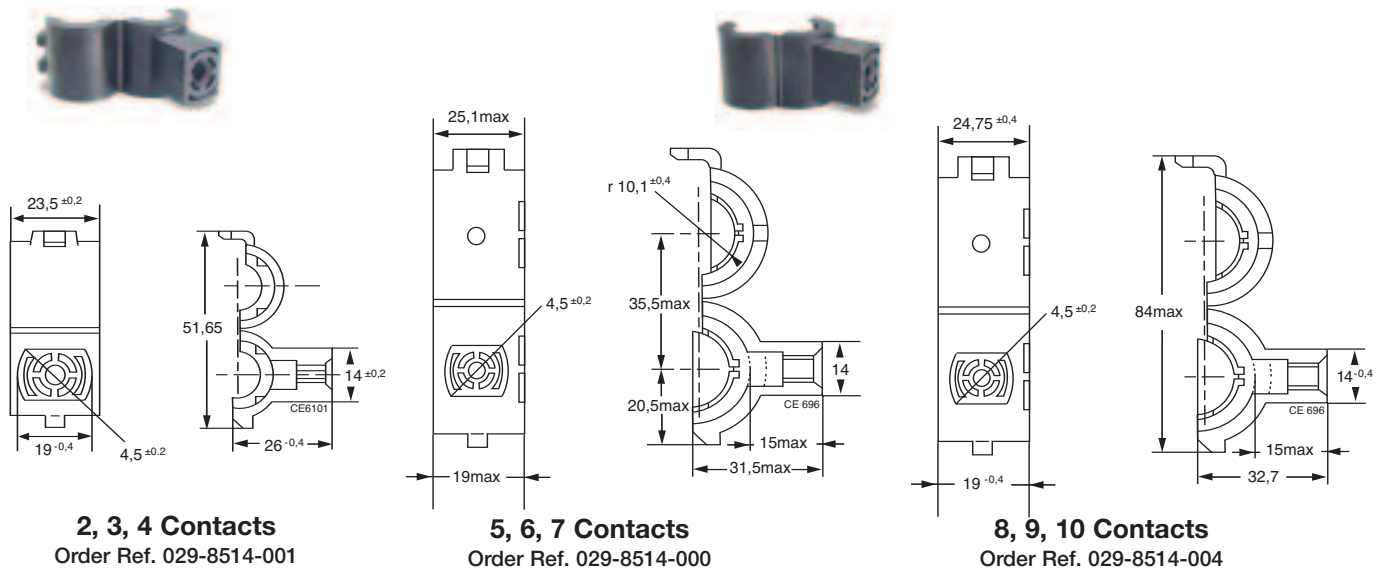


Wire hole filler  
Part Number 225-1012-000

Wire hole filler  
Part Number 225-0093-000

## Accessories Clip/clamp

Clips/Clamps can be used as an extra lock to secure two connector halves. Due to its design it also offers the possibility for fixed mounting a mated pair by using a screw or a cable tie.



### Clip/clamp

Clamps plug and receptacle in mated condition

Connector size	Color of clip/clamp	Order ref.	A max.	B	C	D	E Ø	F max.	G max.
1 contact	Black	026-0452-000	56,52	18,80	-	-	-	5,33	9,91
2 contacts	Red	029-0263-000	-	22,61	25,40	10,67	-	-	-
3/4 contacts	Yellow	029-0262-000	-	23,62	26,67	11,43	12,19	-	-
5/6/7 contacts	Natural	026-0450-000	77,34	35,43	-	-	-	15,49	23,11
8/9/10 contacts	Black	026-0451-000	77,34	38,61	-	-	-	16,76	24,38