



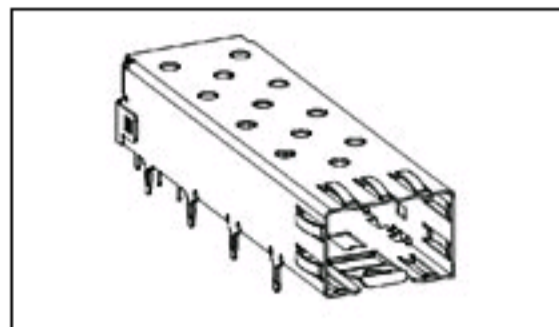
What can we help you find?

- Products
- Industries
- Resources
- About TE
- My Account
- Innovation
- Support Center

Home > Products > Input/Output (Box to Box) > Product Feature Selector > Product Details

2227302-1 Product Details

Share Print Email



2227302-1

Pluggable Connectors, Cages & Accessories

Not reviewed for RoHS Compliance

Product Highlights:

- SFP Product Line
- Cage
- SFP Application
- Cage Type = Single
- For Use With SFP SMT Connector

[View all Features](#)

Quick Links

- ▶ [Pricing & Availability](#)
- ▶ [Search for Tooling](#)
- ▶ [Product Feature Selector](#)
- ▶ [Contact Us About This Product](#)

Feedback

TE Internal Number: 2227302-1



- [Add to My Part List](#)
- [Request Sample](#)
- [Find Similar Products](#)
- [Buy Product](#)

Documentation & Additional Information

Product Drawings:

- [SFP, 1X1 SINGLE PIECE CAGE, 11 PRESS FIT \(PDF, English\)](#)

Catalog Pages/Data Sheets:

- None Available

Product Specifications:

- None Available

Application Specifications:

- None Available

Instruction Sheets:

- None Available

CAD Files:

- None Available

Related Products:

- [Tooling](#)

[List all Documents](#)

Product Features (Please use the Product Drawing for all design activity)

Product Type Features:

- Product Line = SFP
- Product Type = Cage

Mechanical Attachment:

- PCB Mount = Single Sided

Electrical Characteristics:

- Data Signal Rate (Gb/s) = Up to 4

Termination Features:

- Termination Method to PC Board = Through Hole - Press Fit

Dimensions:

- Tail Length (mm [in]) = 3 [0.118]
- PCB Thickness, Recommended (mm [in]) = 1.50 [0.059]
- Length (X-Axis) (mm [in]) = 48.70 [1.917]
- Width (Z-Axis) (mm [in]) = 14.50 [0.570]
- Profile Height (Y-Axis) (mm [in]) = 9.70 [0.3818]

Body Features:

- Plating Material = Nickel

Contact Features:

- Underplate Material Thickness (µm [µin]) = 0.25 [9.843]

Housing Features:

- Cage Type = Single

Configuration Features:

- Port Configuration = Single Port
- Lightpipe = Without
- EMI Containment = EMI Springs

Industry Standards:

- [RoHS/ELV Compliance](#) = Not reviewed for ELV/RoHS compliance
- [Lead Free Solder Processes](#) = Not reviewed for lead free solder process

Conditions for Usage:

- [For Use With](#) = SFP SMT Connector
- Applies To = Printed Circuit Board

Operation/Application:

- Application = SFP
- Heat Sink Application = No

Packaging Features:

- Packaging Method = Tray

Other:

- Brand = TE Connectivity
- Comment = 11 Press-Fit Tails

Corporate Information

- [About TE](#)
- [Investors](#)
- [News Room](#)
- [Supplier Portal](#)
- [Careers](#)
- [Terms & Conditions](#)
- [Privacy Policy](#)

Quick Links

- [Distributor Inventory](#)
- [Product Cross Reference](#)
- [Documents & Drawings](#)
- [Product Compliance Support Center](#)
- [Site Map](#)

Customer Support

- [Email or Chat With Us](#)
- [Find a Phone Number](#)
- [Knowledge Base](#)
- [Manage Your Account](#)

Keep Me Informed

