

THIS DRAWING IS UNPUBLISHED.

RELEASED FOR PUBLICATION

© COPYRIGHT- BY TYCO ELECTRONICS CORPORATION. ALL RIGHTS RESERVED.

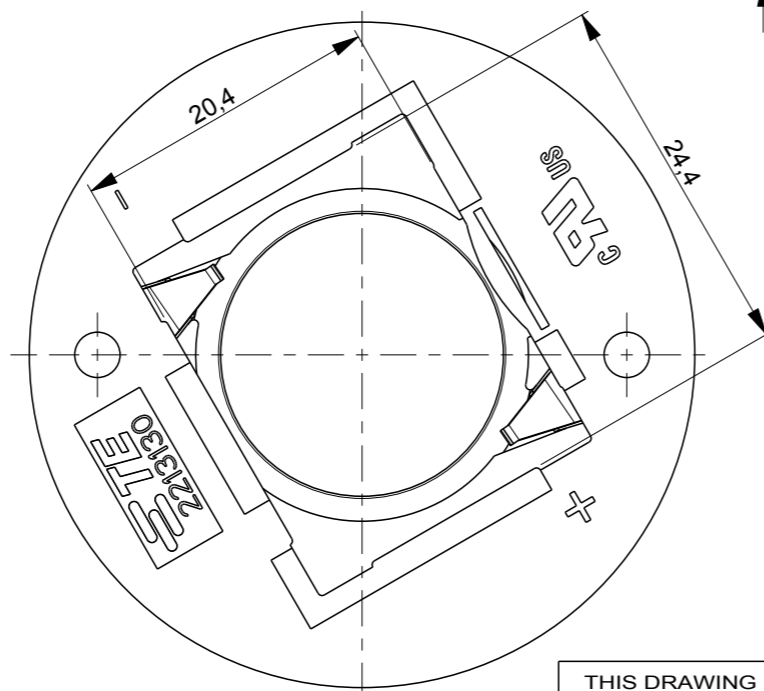
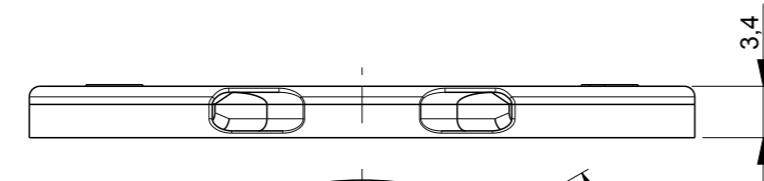
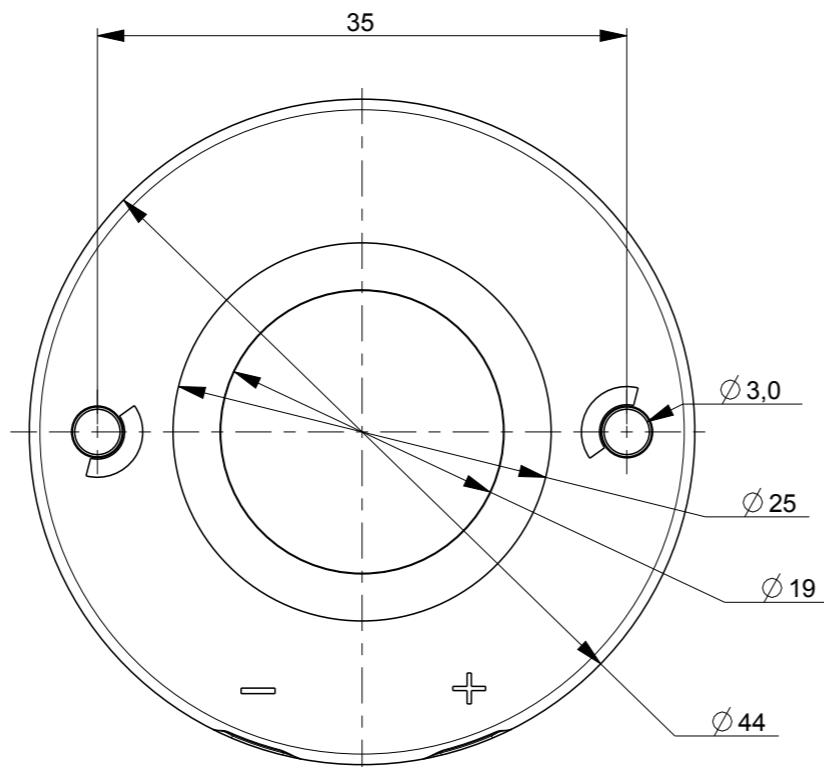
LOC H DIST -

REVISIONS

P	LTR	DESCRIPTION	DATE	DWN	APVD
1		INITIATE	09AUG2012	JK	OL
2		ADDED INFO	06JAN2013	JK	JK
3		ADDED INFO	11MAR2013	JK	JK

NOTES:

1. MATERIALS:
HOUSING: GLASS FILLED PBT
COLOR : NATURAL/WHITE
CONTACTS: SILVER PLATED COPPER ALLOY
2. FOR SOLID AND STRANDED WIRE AWG 22-18
3. COMPLIES WITH DIRECTIVE 2002/95/EC (ROHS)
4. M3 SCREW TO BE USED FOR MOUNTING



M3 SCREW HOLES

WIRE ENTRANCE

WIRE ENTRANCE

LED PRESSURE CONTACTS

LED CLAMPING FEATURE

2213130-1 AS SHOWN

Z50 LED HOLDER LOW PROFILE

2213130-2	Z50 LED HOLDER STANDARD PROFILE 2024
2213130-1	Z50 LED HOLDER LOW PROFILE 2024
PARTNUMBER	DESCRIPTION

THIS DRAWING IS A CONTROLLED DOCUMENT.

DIMENSIONS:	TOLERANCES UNLESS OTHERWISE SPECIFIED:
mm	
	0 PLC ±-
	1 PLC ±-
	2 PLC ±-
	3 PLC ±-
	4 PLC ±-
	ANGLES ±
MATERIAL	FINISH
-	-

DWN	01-AUG-2012
CHK	J.V.D.KROGT
CHK	04-AUG-2012
CHK	J.V.D.KROGT
APVD	06-AUG-2012
APVD	O.LEIJNSE
PRODUCT SPEC	108-133008
APPLICATION SPEC	114-32048
WEIGHT	-
CUSTOMER DRAWING	

		TE Connectivity	
Z50 LED HOLDER 2024			
SIZE	CAGE CODE	DRAWING NO	RESTRICTED TO
A3	00779	C-C-2213130	-
SCALE		SHEET	REV
-		1 OF 2	3

PRELIMINARY PART
NOT RELEASED FOR PRODUCTION

THIS PRODUCT HAS NOT COMPLETED
VALIDATION TESTING

4

3

2

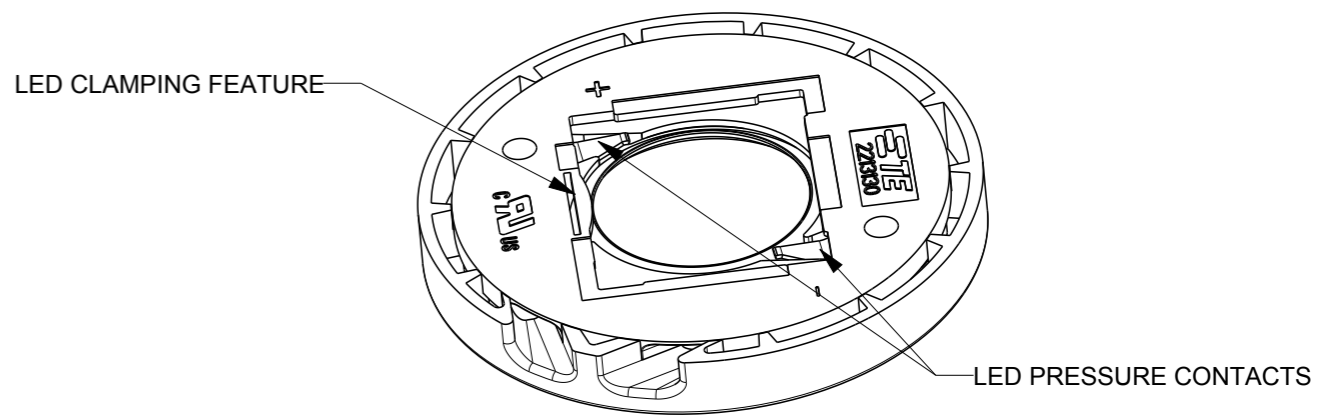
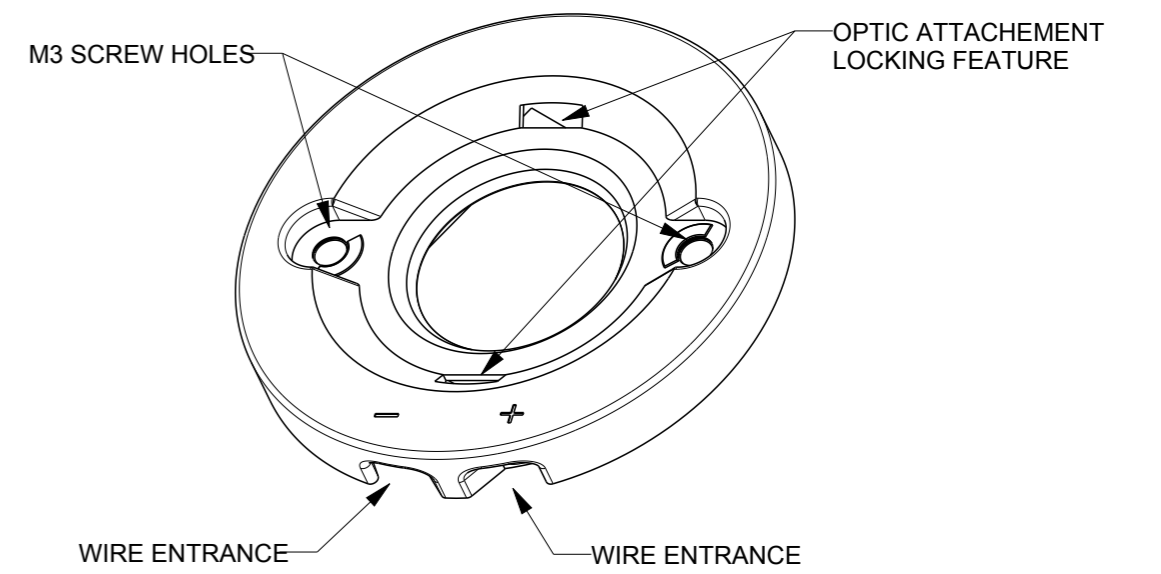
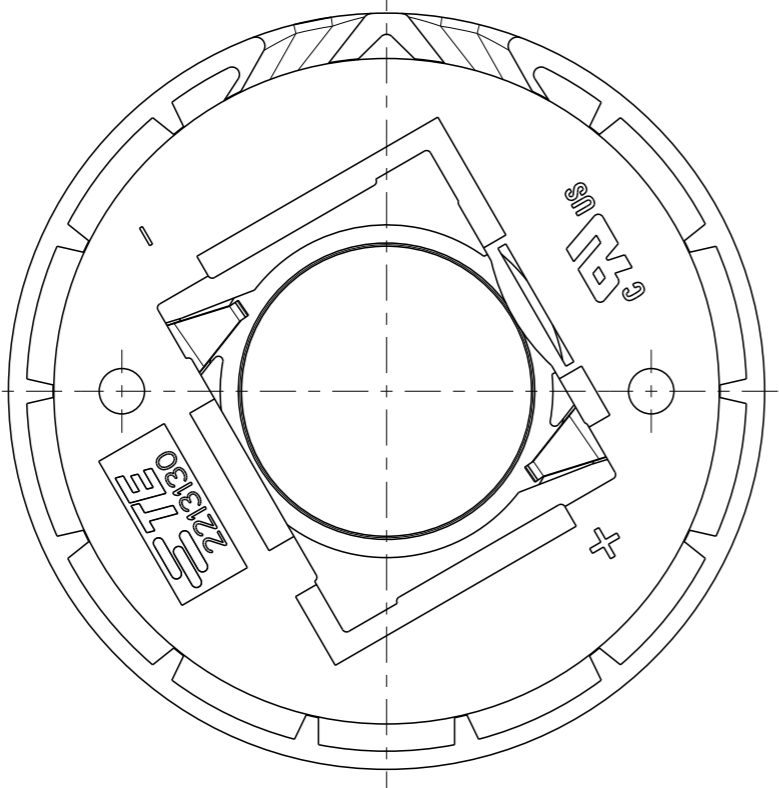
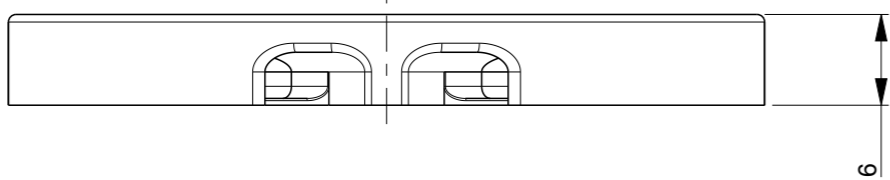
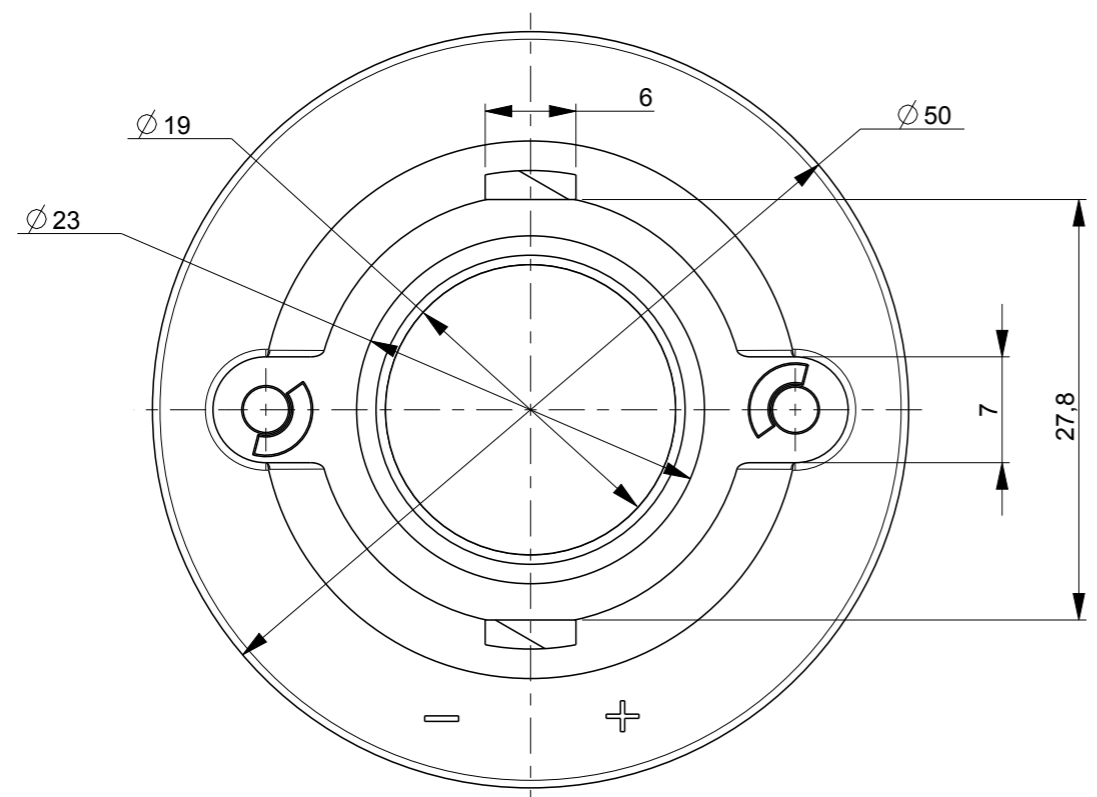
1

THIS DRAWING IS UNPUBLISHED.

RELEASED FOR PUBLICATION

© COPYRIGHT- BY TYCO ELECTRONICS CORPORATION. ALL RIGHTS RESERVED.

LOC	DIST	REVISIONS					
H	-	P	LTR	DESCRIPTION	DATE	DWN	APVD
				SEE SHEET 1	-	-	-



2213130-2 AS SHOWN

Z50 LED HOLDER STANDARD PROFILE

THIS DRAWING IS A CONTROLLED DOCUMENT.		DWN 01-AUG-2012 J.V.D.KROGT		
		CHK 04-AUG-2012 J.V.D.KROGT		
		APVD 06-AUG-2012 O.LEIJNSE	NAME	
		PRODUCT SPEC	Z50 LED HOLDER	
		108-133008	2024	
		APPLICATION SPEC	SIZE	CAGE CODE
		114-32048	A3	00779
		WEIGHT	DRAWING NO	
		-	C-C-2213130	
		CUSTOMER DRAWING	RESTRICTED TO	
			SCALE	SHEET
			-	2 OF 2
				REV
				3

SCALE 2:1