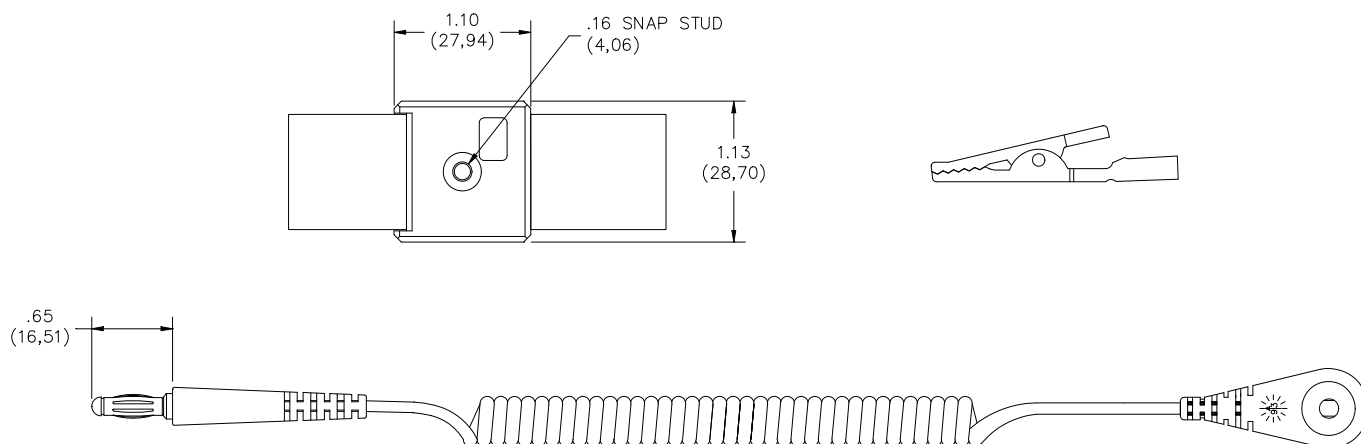


Model 6082
Elastic Wrist Strap with Clip & Cord**Materials**Wrist Strap:

Body – Impact resistant plastic

Strap – Elastic Fibers with Silver Plated Nylon yarn.
Circumference: 2.50" (64,0) min., 13.00" (330,0) max.

Snap and Cam – Stainless Steel

Ground Cord:Banana Plug:

Body – Brass, Nickel-plated

Insulation – PVC, Black

Cord:

Material – Coiled Tinsel

Insulation – Polyurethane 2.25mm O.D.

Length: 6 feet, extended

Snap (4mm):

Body – Brass, Nickel-plated, 0.12" (3,2) I.D.

Insulation – PVC, Black

**Features**

- A complete wrist strap kit features the adjustable fabric wrist strap.
- Also included: Resistive Coiled Cord (1 Megohm resistor molded in) extendable to 6 feet with a Straight Banana Plug and Alligator Clip.

Ordering Information

Model: 6082

Packaging: Elastic Strap, Ground Cord, Alligator Clip, and Instruction Sheet per bag.

USA: Sales: 800-490-2361
Technical Support: technicalsupport@pomonatest.com
Fax: 425-446-5844

Europe: 31-(0) 40 2675 150 **International:** 425-446-5500

Where to Buy: www.pomonaelectronics.com

All dimensions are in inches. Tolerances (except noted): .xx = ±.02" (.51 mm), .xxx = ±.005" (.127 mm). All specifications are to the latest revisions. Specifications are subject to change without notice. Registered trademarks are the property of their respective companies.

Mouser Electronics

Authorized Distributor

Click to View Pricing, Inventory, Delivery & Lifecycle Information:

[Pomona:](#)

[6082](#)