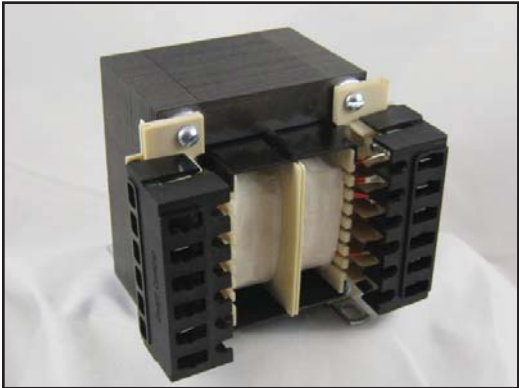


Signal 277V/120V Stepdown Transformers



Allows Installers to Derive a Fully Isolated 120V Source from a 277V Line



Ideal for power task lighting and service receptacles.

General Specifications

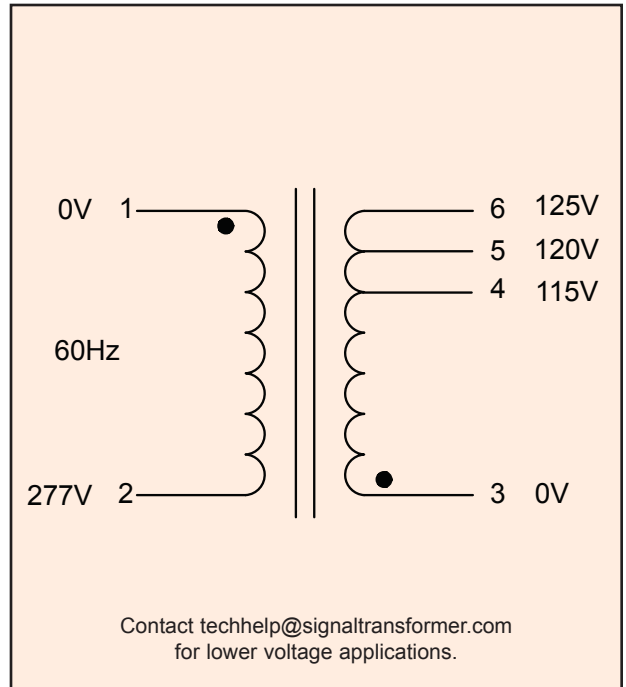
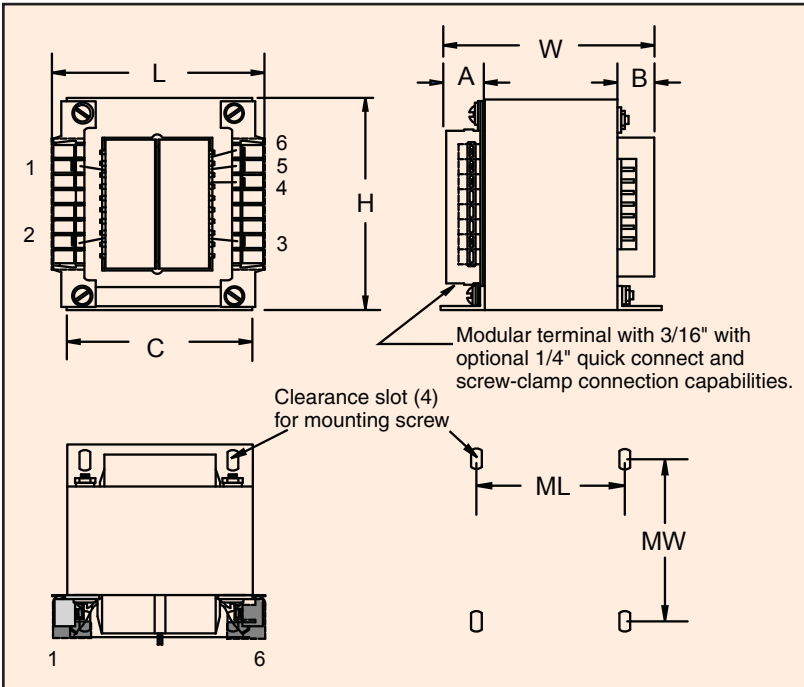
- Power - 300, 450, 600, and 1000VA ratings
- Dielectric Strength - 4000V
- Primary: 277V, 60 Hz
- Secondary: 120V with taps at 115V and 125V for high/low line adjustment
- Insulation System - UL 1446 Class F (155° C)
- Leakage Current - <30 uA
- Touch Safe terminals (IP20 type) offer a screw/binding clamp for hard wiring and 3/16" and 1/4" Fast-On connection
- Flame Rating - UL 94-V0

Agency Certifications:

- UL 1446 File #E66312
- Compliant with the following domestic and international standards
- UL5085-1-2, UL 506, UL 60950, UL 197, UL 1262
- IEC 60950, IEC 61558-2-4, IEC 61010-1
- CSA 22.2 #66-1-2
- VDE 0570, 0605, 0551, 0550
- CE



File #E66312



Part Number	VA	Sec RMS	L	W	H	A	B	C	ML	MW	Mounting Screw	Weight
	Size	Rating										Inches (mm)
SLT-300	300	120V @ 2.5A	4.20 (106.68)	4.08 (103.51)	3.75 (95.3)	1.33 (33.8)	0.62 (15.9)	3.12 (79.4)	2.50 (63.5)	3.12 (79.4)	#10	7.0 (3.18)
SLT-450	450	120V @ 3.8A	4.46 (113.28)	4.33 (110)	4.50 (114.3)	1.33 (33.8)	0.75 (19.1)	3.75 (95.3)	3.00 (76.2)	3.25 (82.6)	#10	11.0 (5)
SLT-600	600	120V @ 5A	4.46 (113.28)	5.08 (129.03)	4.50 (114.3)	1.33 (33.8)	0.75 (19.1)	3.75 (95.3)	3.00 (76.2)	4.06 (103.2)	#10	14.3 (6.49)
SLT-1000	1000	120V @ 8.33A	4.89 (124.20)	5.70 (144.78)	5.25 (133.4)	1.33 (33.8)	0.87 (22.2)	4.37 (111.1)	3.50 (88.9)	4.68 (119.1)	1/4"	22.0 (10.0)

Custom versions available upon request.

©2015 Signal Transformer Inc. Specifications subject to change without notice. 07.15



500 Bayview Avenue, Inwood, NY 11096
 Toll Free 866-239-5777 • Tel 516-239-5777 • Fax 516-239-7208
 sales@signaltransformer.com • techhelp@signaltransformer.com

Mouser Electronics

Authorized Distributor

Click to View Pricing, Inventory, Delivery & Lifecycle Information:

[Bel:](#)

[SLT-600](#) [SLT-300](#) [SLT-450](#) [SLT-1000](#)