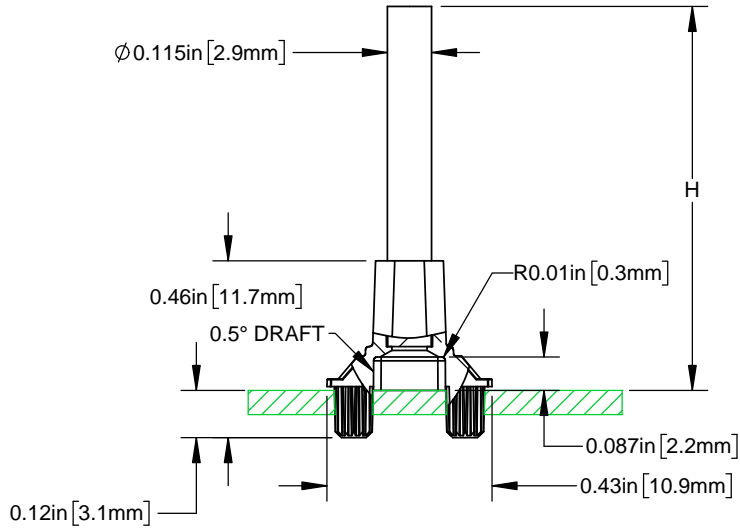
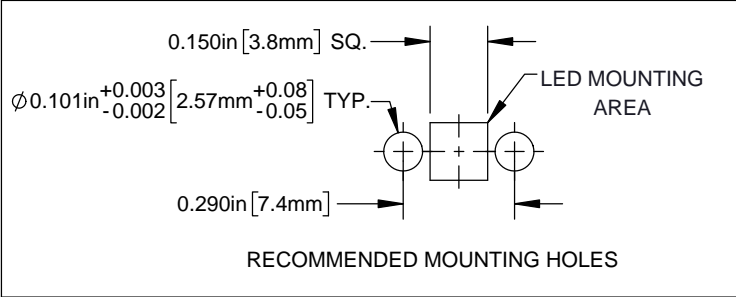
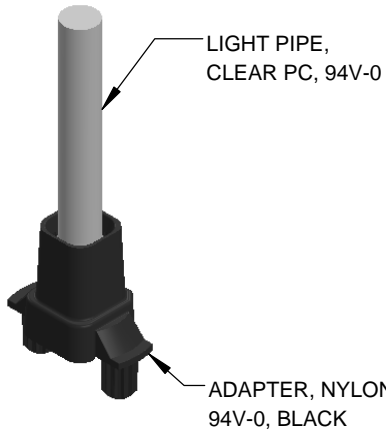
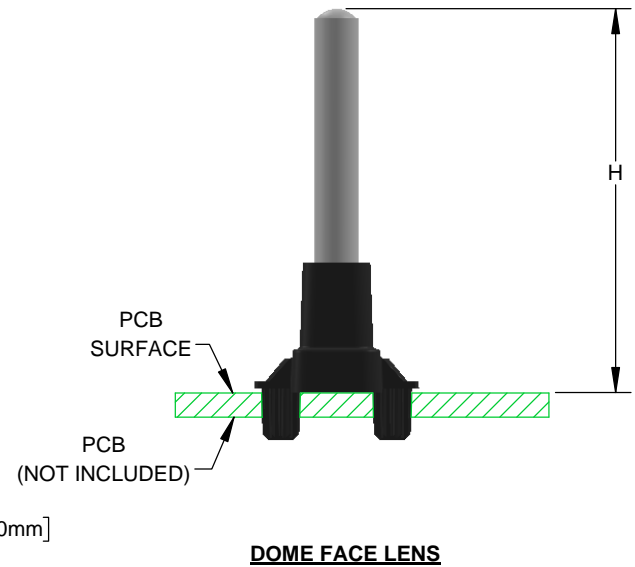
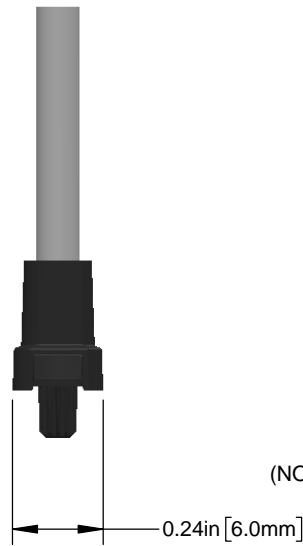
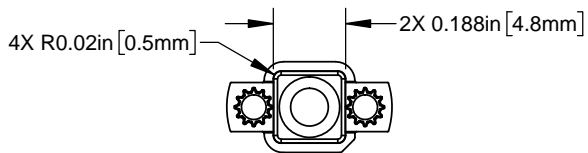


| REVISIONS | | | |
|-----------|---------------------|-----------|----------|
| REV. | DESCRIPTION | DATE | APPROVED |
| A | Engineering Release | 3/16/2018 | M.C. |



FLAT FACE LENS

DIMENSIONS ARE APPLICABLE TO BOTH LENS FACES UNLESS OTHERWISE NOTED



DOME FACE LENS

PART NUMBER CONFIGURATION
(SEE PAGE 2, TABLES A & B)
LPV3-XXXXXP
LENS FACE
HEIGHT, (H)

| | | | |
|--|-------------------|--|--------------------|
| STANDARD TOLERANCE (UNLESS OTHERWISE SPECIFIED) | | 4 THOMAS, IRVINE, CA. 92618 TEL: (949) 951-8808 FAX: (949) 951-3974 | |
| DECIMALS | ANGULAR | | |
| .X ± .1 | X° ± 1° | TITLE: BIVAR LIGHT PIPE SYSTEM, VERTICAL, 3MM, SINGLE STATION | |
| .XX ± .01 | | | |
| .XXX ± .005 | | PART NO: LPV3-XXXXXP | REVISION: A |
| DESIGNED: K. BARON | DATE: 03/16/18 | CAGE CODE: 32559 | |
| REVISID: N/A | DATE: N/A | SCALE: 2:1 | |
| CHECKED: TD. NGUYEN | DATE: 03/16/18 | SHEET # 1 OF 2 | |
| CAD GENERATED DOCUMENT, DO NOT MEASURE DRAWING | | | |

| REVISIONS | | | |
|-----------|-------------|------|----------|
| REV. | DESCRIPTION | DATE | APPROVED |
| | See Sheet 1 | | |

STANDARD ORDERING INFORMATION

| TABLE A - FLAT FACE LENS | |
|--------------------------|----------------|
| PART NO. | H ±.01 |
| LPV3-0350FP | 0.350 [8.9mm] |
| LPV3-0400FP | 0.400 [10.2mm] |
| LPV3-0450FP | 0.450 [11.4mm] |
| LPV3-0500FP | 0.500 [12.7mm] |
| LPV3-0550FP | 0.550 [14.0mm] |
| LPV3-0600FP | 0.600 [15.2mm] |
| LPV3-0750FP | 0.750 [19.1mm] |
| LPV3-1000FP | 1.000 [25.4mm] |
| LPV3-1250FP | 1.250 [31.8mm] |
| LPV3-1500FP | 1.500 [38.1mm] |
| LPV3-1750FP | 1.750 [44.5mm] |
| LPV3-2000FP | 2.000 [50.8mm] |

| TABLE B - DOME FACE LENS | |
|--------------------------|----------------|
| PART NO. | H ±.01 |
| LPV3-0350DP | 0.350 [8.9mm] |
| LPV3-0400DP | 0.400 [10.2mm] |
| LPV3-0450DP | 0.450 [11.4mm] |
| LPV3-0500DP | 0.500 [12.7mm] |
| LPV3-0550DP | 0.550 [14.0mm] |
| LPV3-0600DP | 0.600 [15.2mm] |
| LPV3-0750DP | 0.750 [19.1mm] |
| LPV3-1000DP | 1.000 [25.4mm] |
| LPV3-1250DP | 1.250 [31.8mm] |
| LPV3-1500DP | 1.500 [38.1mm] |
| LPV3-1750DP | 1.750 [44.5mm] |
| LPV3-2000DP | 2.000 [50.8mm] |

| | |
|--|----------------|
| BIVAR [®] | |
| PART NO: LPV3-XXXXXP | REVISION: A |
| SCALE: N/A | SHEET # 2 OF 2 |
| CAD GENERATED DOCUMENT, DO NOT MEASURE DRAWING | |

Mouser Electronics

Authorized Distributor

Click to View Pricing, Inventory, Delivery & Lifecycle Information:

BIVAR:

[LPV3-0550DP](#) [LPV3-1500DP](#) [LPV3-0600DP](#) [LPV3-0350FP](#) [LPV3-0750FP](#) [LPV3-0450DP](#) [LPV3-0400DP](#) [LPV3-0600FP](#) [LPV3-0500DP](#) [LPV3-1500FP](#) [LPV3-1250DP](#) [LPV3-2000DP](#) [LPV3-1750DP](#) [LPV3-1000DP](#) [LPV3-0750DP](#) [LPV3-1000FP](#) [LPV3-1250FP](#) [LPV3-0550FP](#) [LPV3-0500FP](#) [LPV3-0350DP](#) [LPV3-0450FP](#) [LPV3-2000FP](#) [LPV3-0400FP](#) [LPV3-1750FP](#)