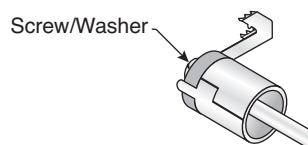
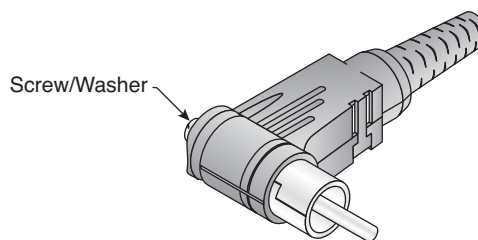
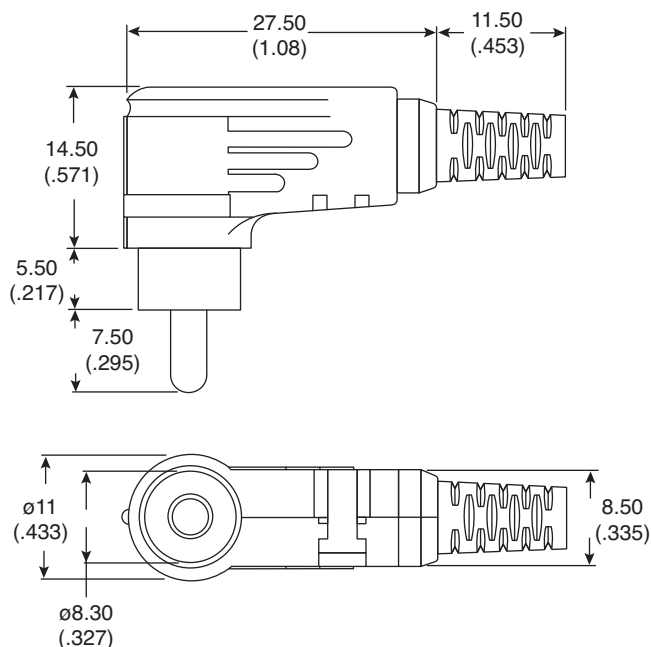


RCA Plugs

174-0251-E, 174-0252-E, 174-0253-E, 174-0254-E



RCA Plugs



Dimensions: mm (in.)

Part No.	Color
174-0251-E	Red
174-0252-E	Black
174-0253-E	White
174-0254-E	Yellow

SPECIFICATIONS	
Contact pin:	nickel plated brass
Insulation:	ABS
Housing:	PP
Strain relief:	PVC
RoHS Compliant	

174-0251-E, 174-0252-E, 174-0253-E, 174-0254-E

Date Last Revised: 10-27-08

Available from Mouser Electronics
1-800-346-6873 / www.mouser.com

KC- 300916

Specifications are subject to change without notice. No liability or warranty implied by this information. Environmental compliance based on producer documentation.

Mouser Electronics

Authorized Distributor

Click to View Pricing, Inventory, Delivery & Lifecycle Information:

[Kobiconn:](#)

[174-0251-E](#) [174-0253-E](#) [174-0252-E](#) [174-0254-E](#)