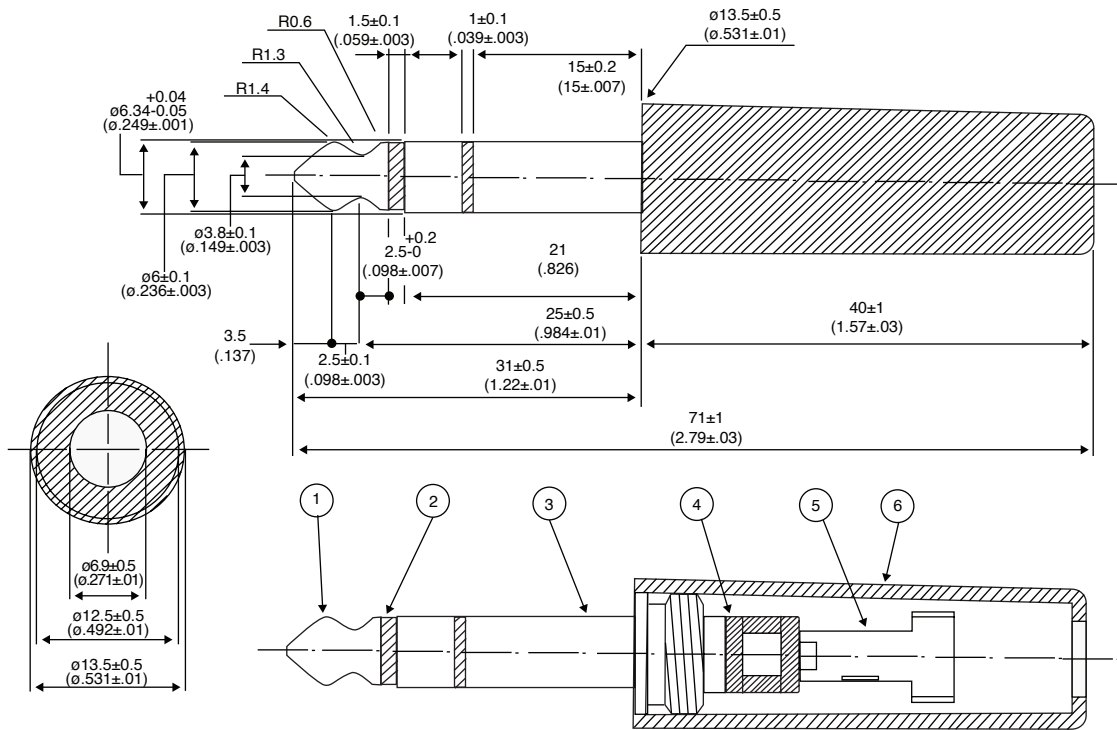


Non-Shielded 1/4" Plug

171-PA62111-1-E



Non-Shielded 1/4" Plug



Dimensions: mm (in.)

MATERIAL SPECIFICATIONS		
1	Brass	Nickel
2	A.B.S.	Black
3	Brass	Nickel
4	A.B.S.	Black
5	Brass	Nickel
6	A.B.S.	Black
RoHS Compliant by Exemption		

Date Last Revised: 03/16/07

Available from Mouser Electronics
1-800-346-6873 / www.mouser.com

KC-301133

171-PA62111-1-E

Specifications are subject to change without notice. No liability or warranty implied by this information. Environmental compliance based on producer documentation.

Mouser Electronics

Authorized Distributor

Click to View Pricing, Inventory, Delivery & Lifecycle Information:

[Kobiconn:](#)

[171-PA62111-1-E](#)