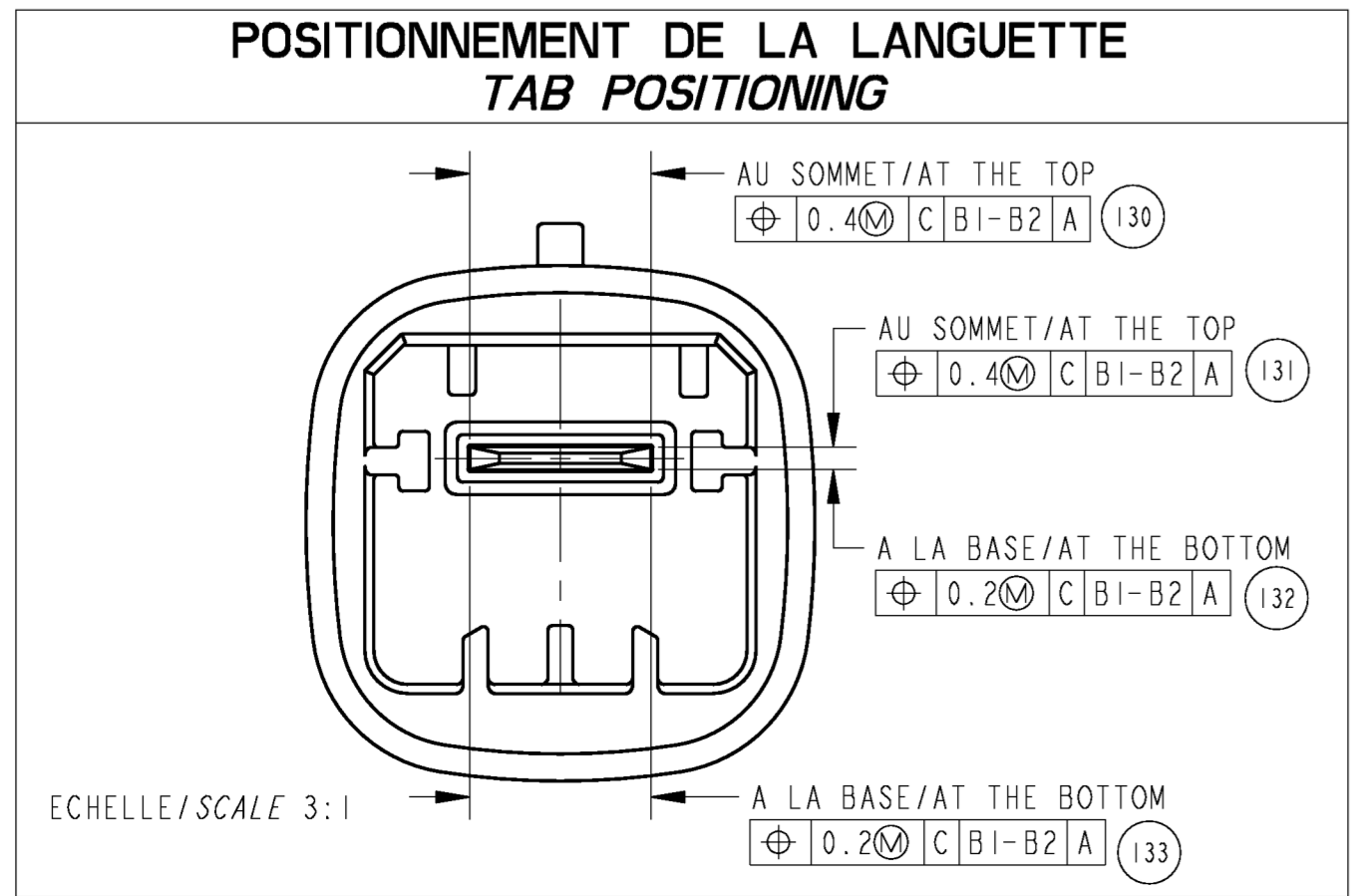
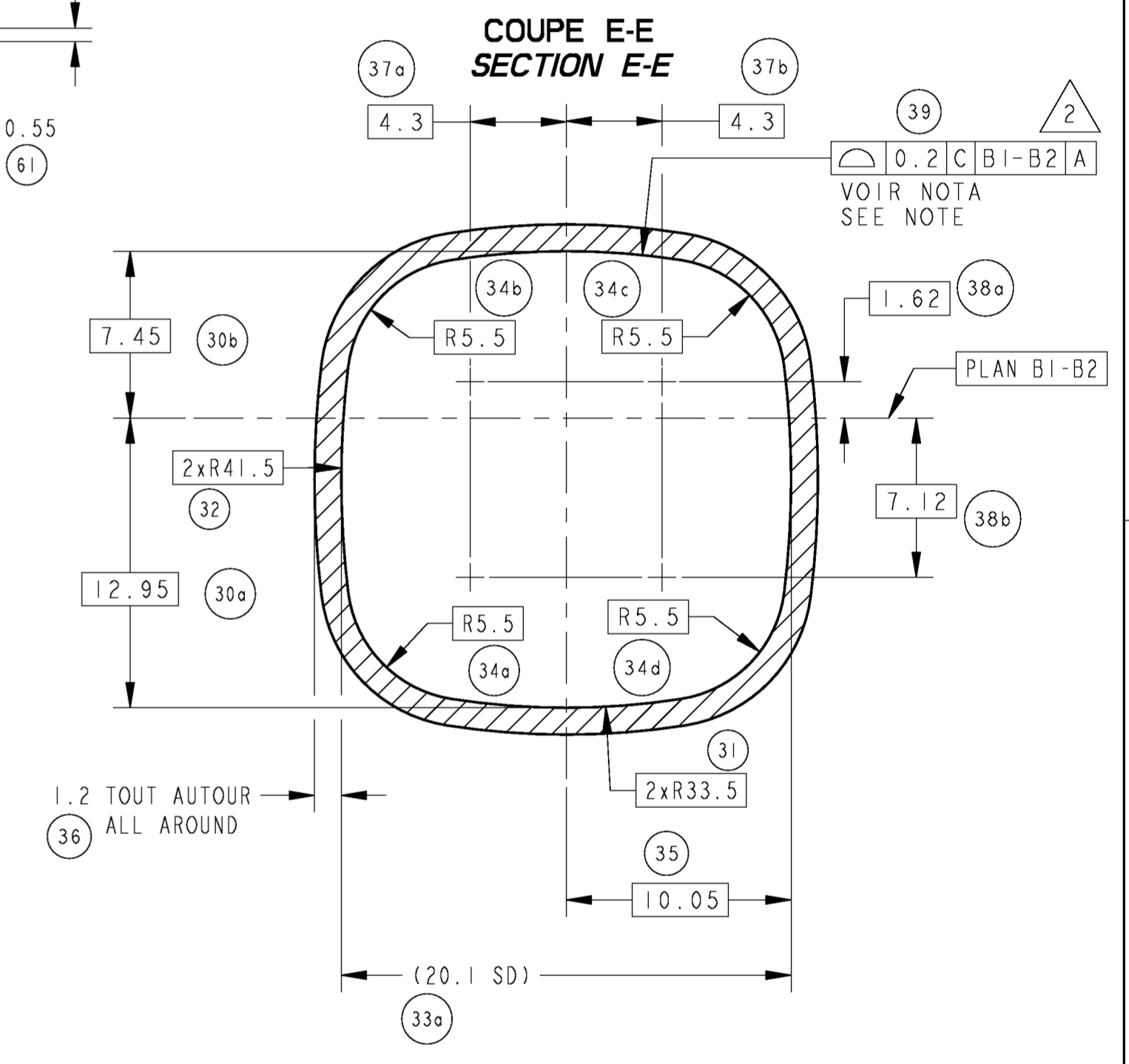
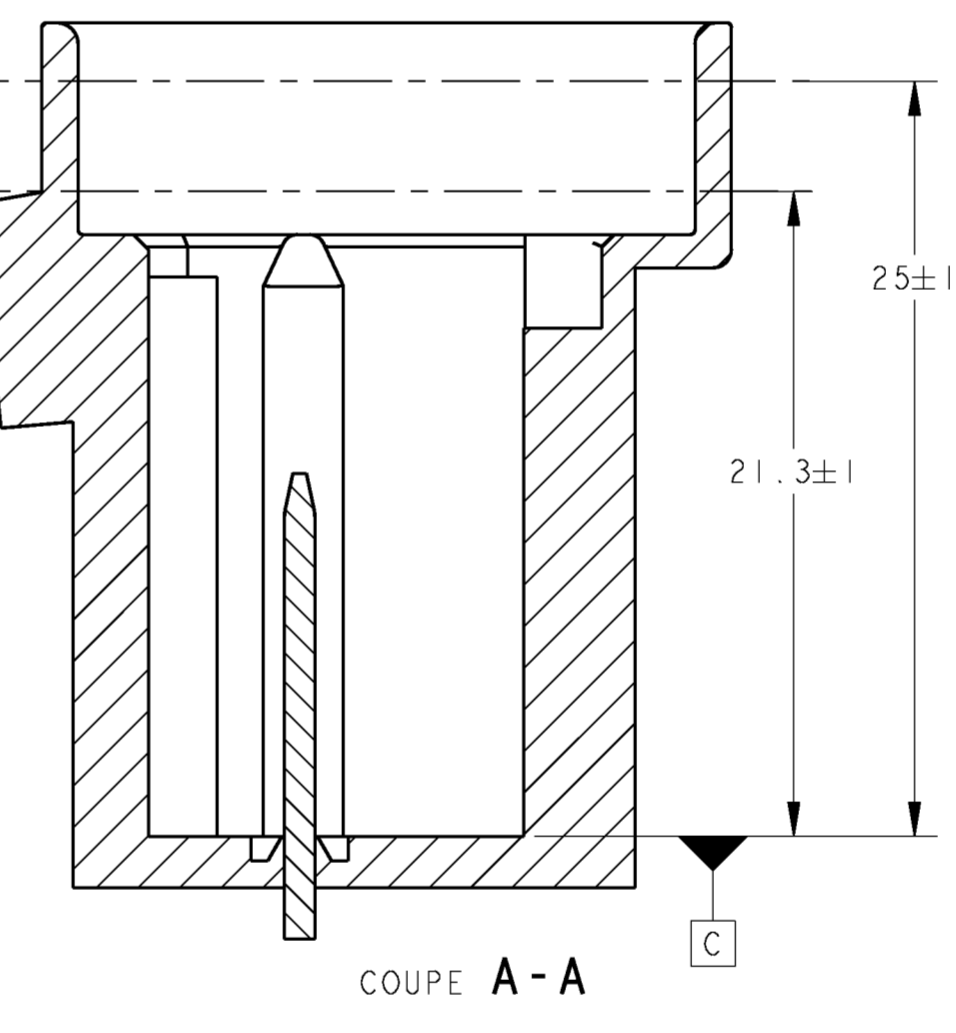
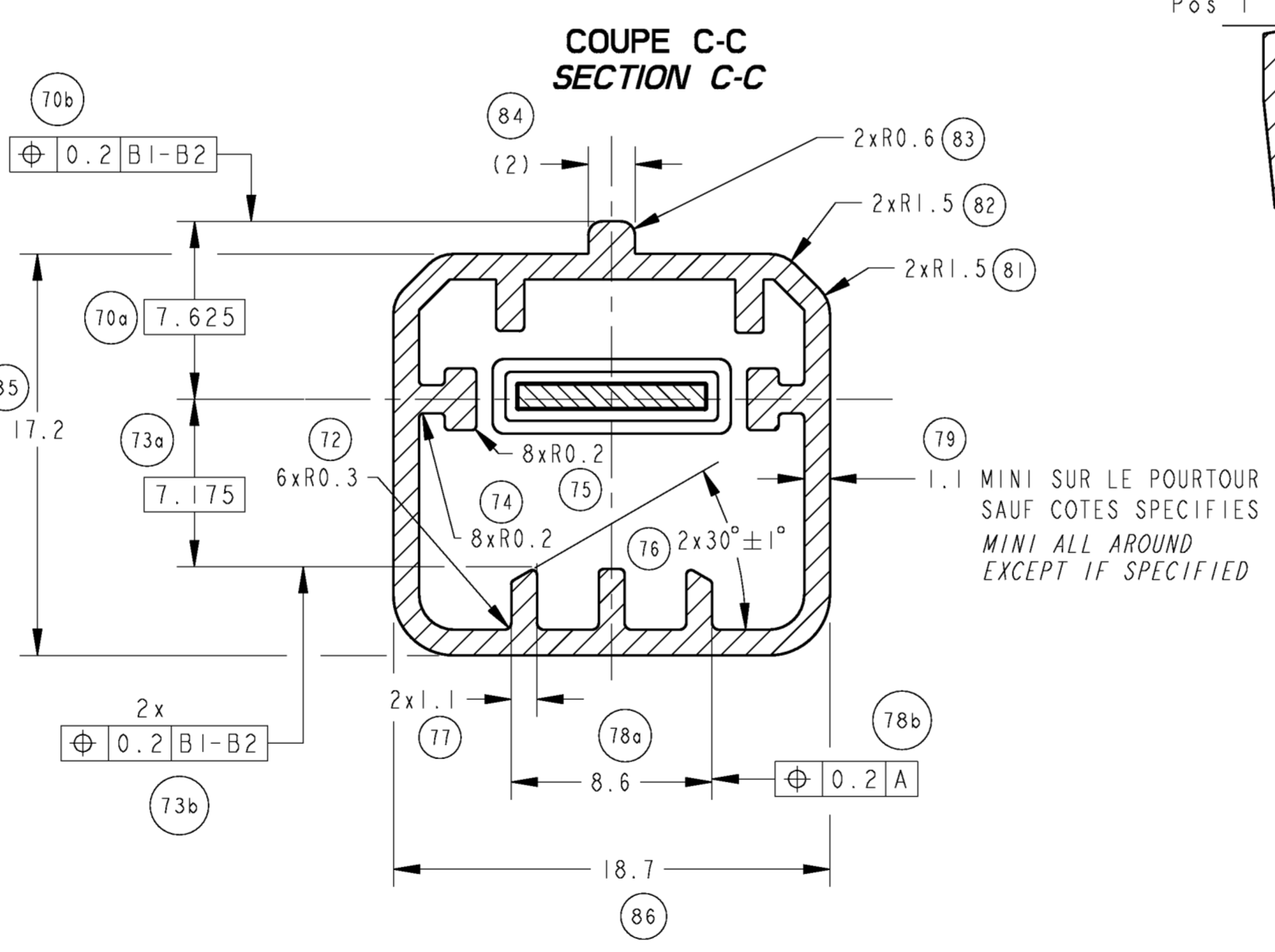
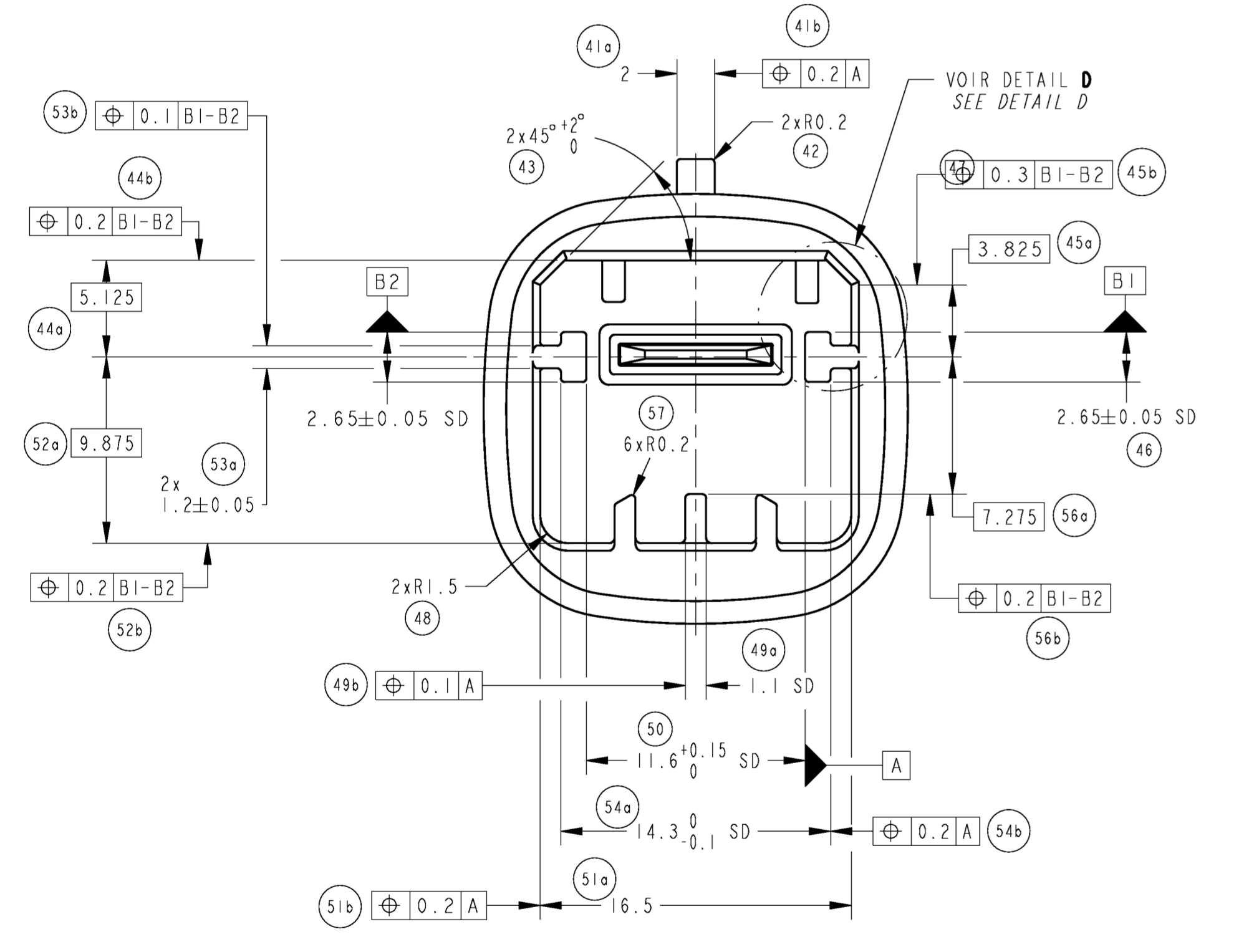
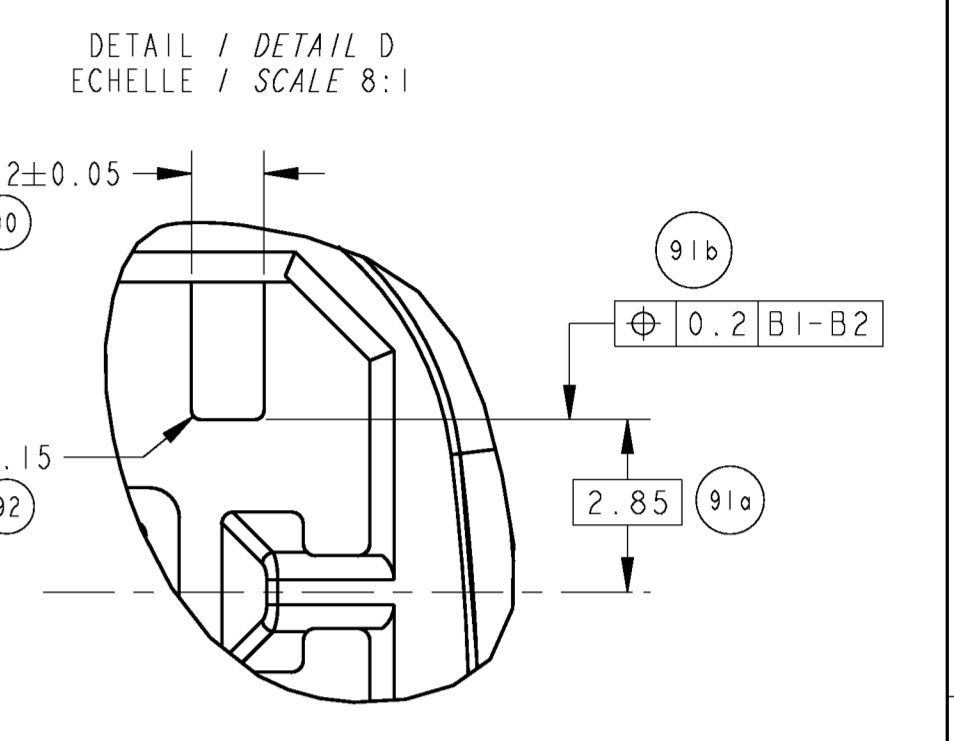
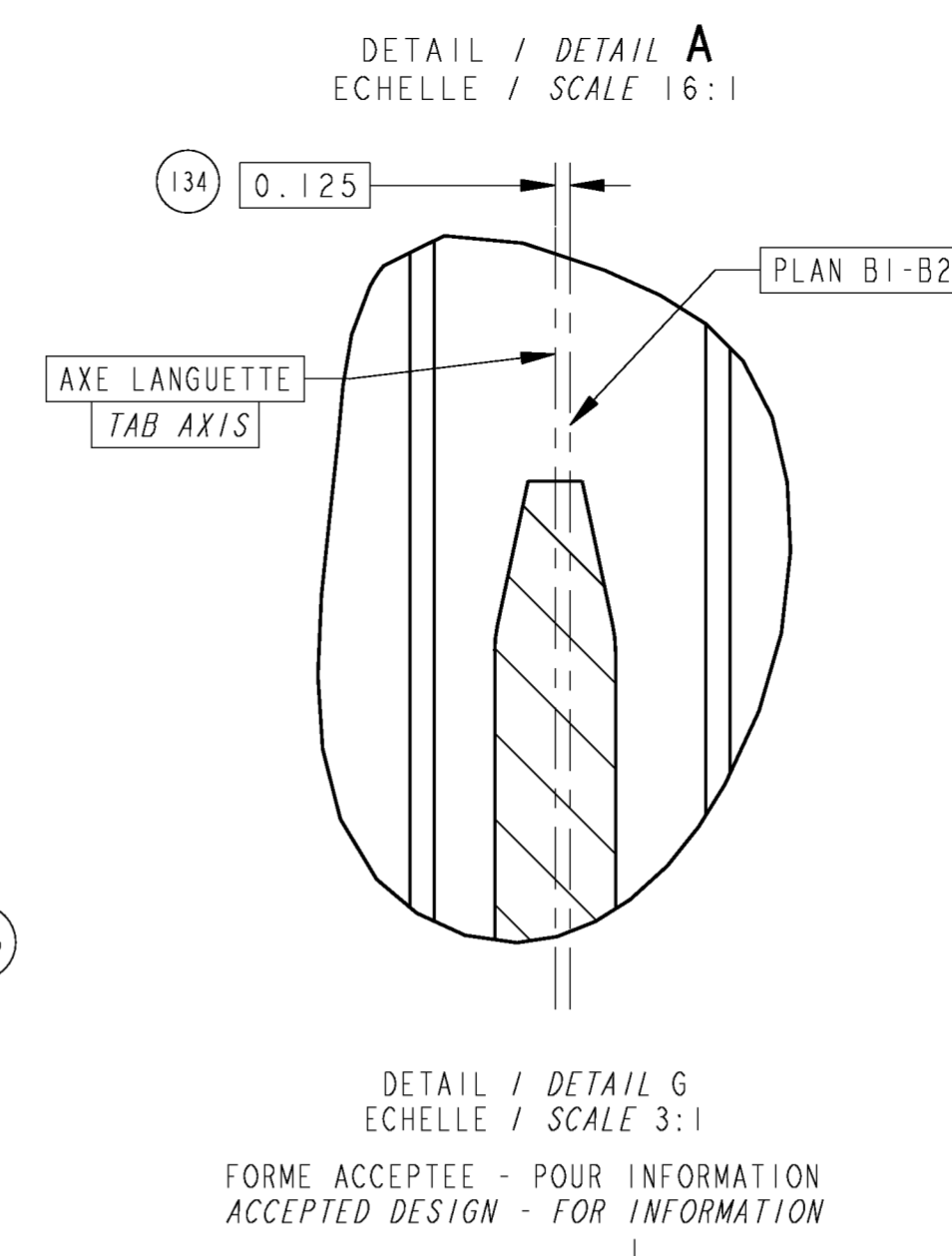
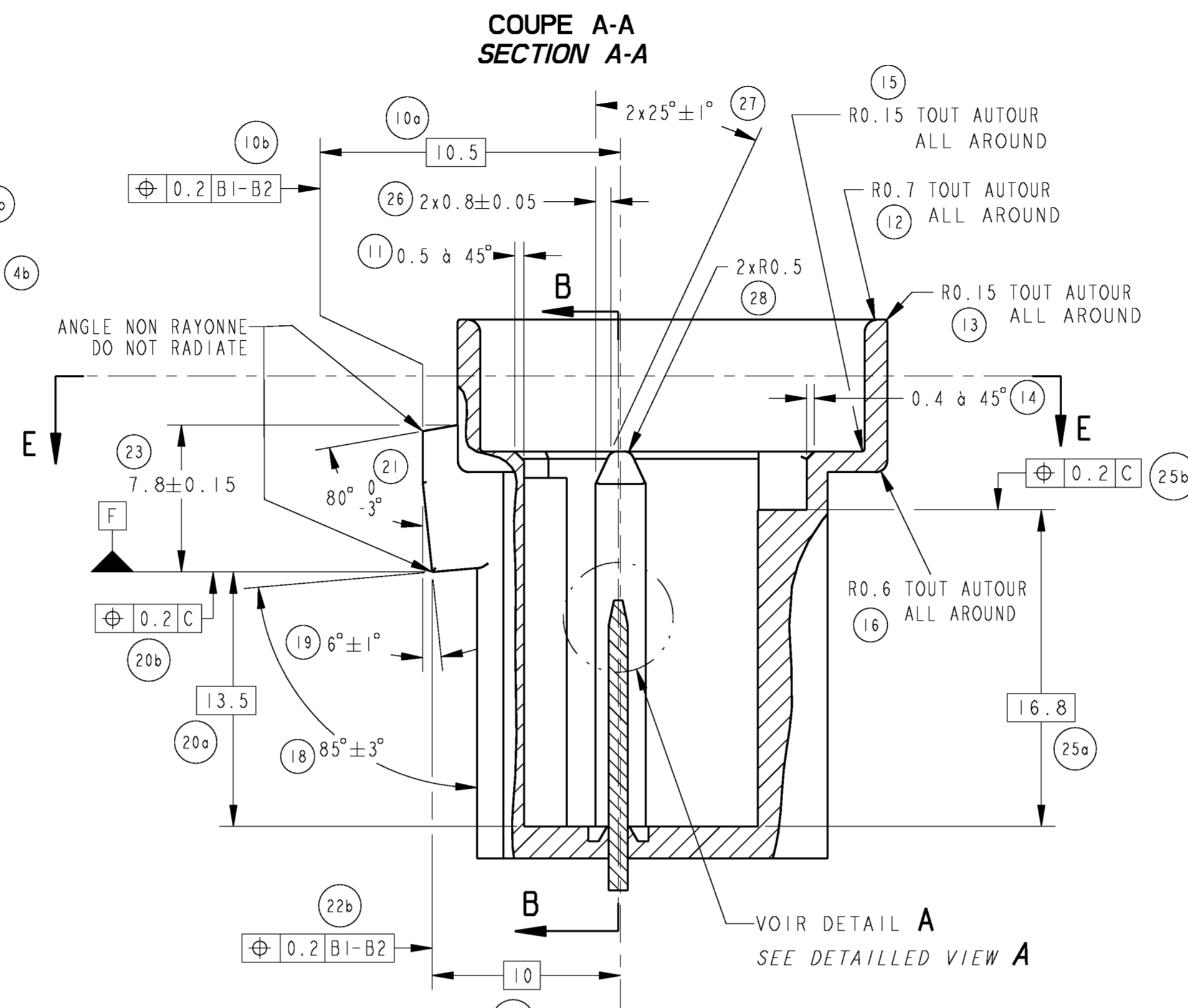
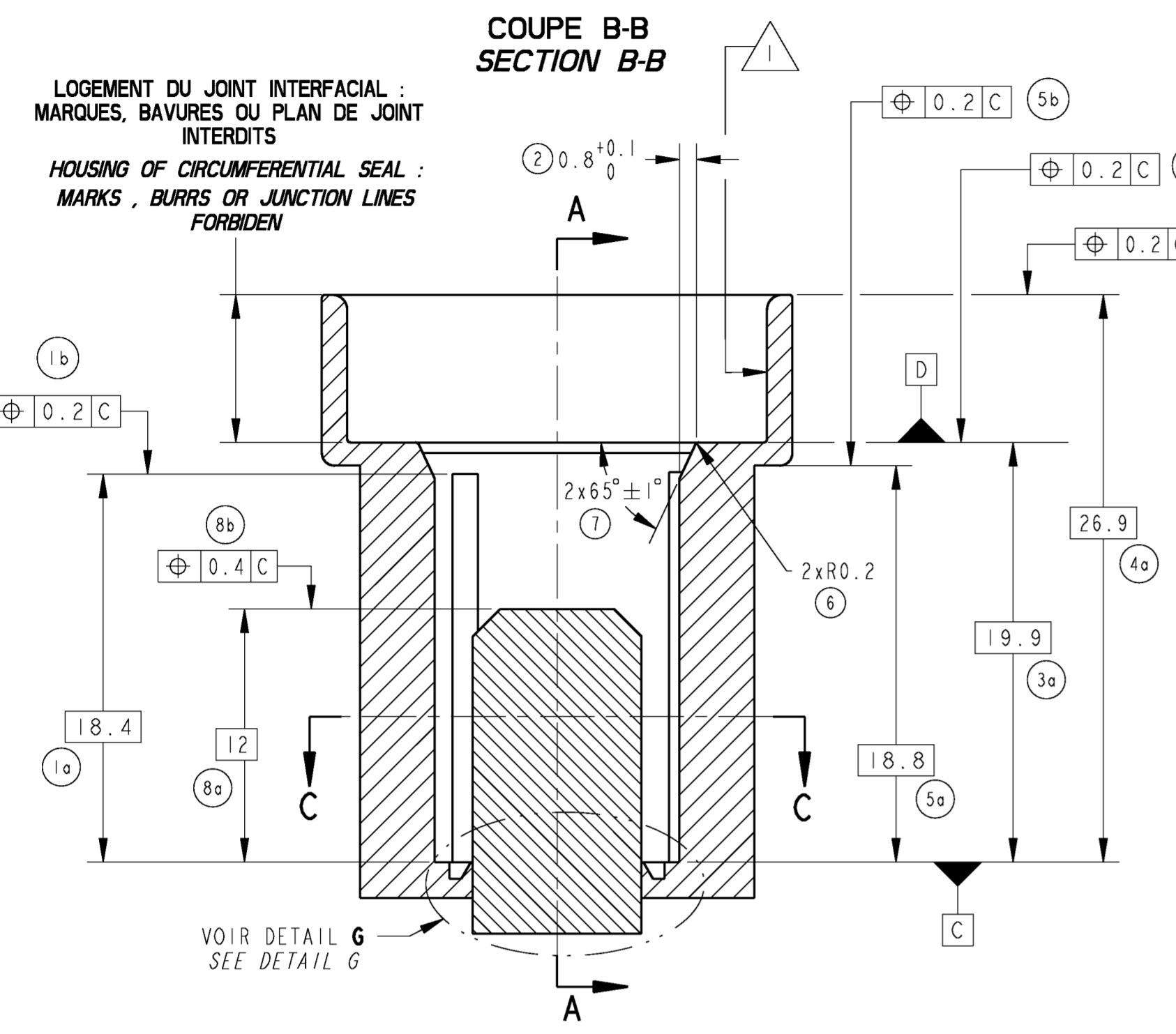
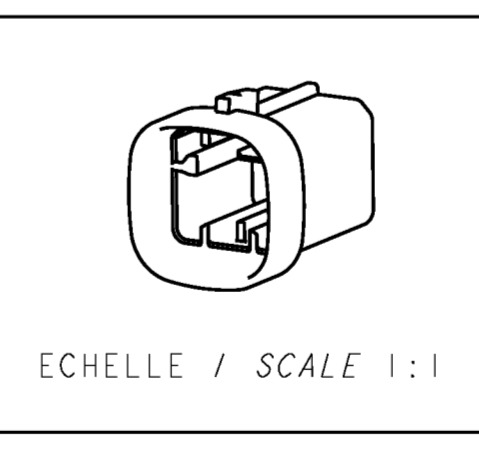


LOC	DIST	REV	DESCRIPTION	DATE	OWN	APPV
F	00		ISO DIMENSIONING AND DRAWING UPDATE	1506C2006	FS1	JDr
		H	GENE2 IWAY HOUSING ADDED	1806C2009	FS1	JDr



**CODAGES ET COULEURS ASSOCIEES
 CODING AND ASSOCIATED COLORS**

NOIR / BLACK	BLEU / BLUE	GRIS / GREY
1544642-1	1544642-2	1544642-3



NOTA :

- MATIERE PRECONISEE: PBT 10% OU 20% FV
- DEPOUILLES: 1.5* SAUF SPECIFICATIONS CONTRAIRES
- LES DEFORMATIONS DE LA PIECE DOIVENT ETRE COMPRISES DANS LES TOLERANCES
- () : COTE POUR INFORMATION
- SD : SANS DEPOUILLE OU DEPOUILLE COMPRISE DANS LA TOLERANCE
- SURFACE A POLIR (Ra 0.4 SUR MOULE)
- CONTROLE DE LA FORME: 18 POINTS DE MESURE A PRENDRE SUR LE CONTOUR DE LA ZONE D'ETANCHEITE AUX POSITIONS 'Pos 1' et 'Pos 2'

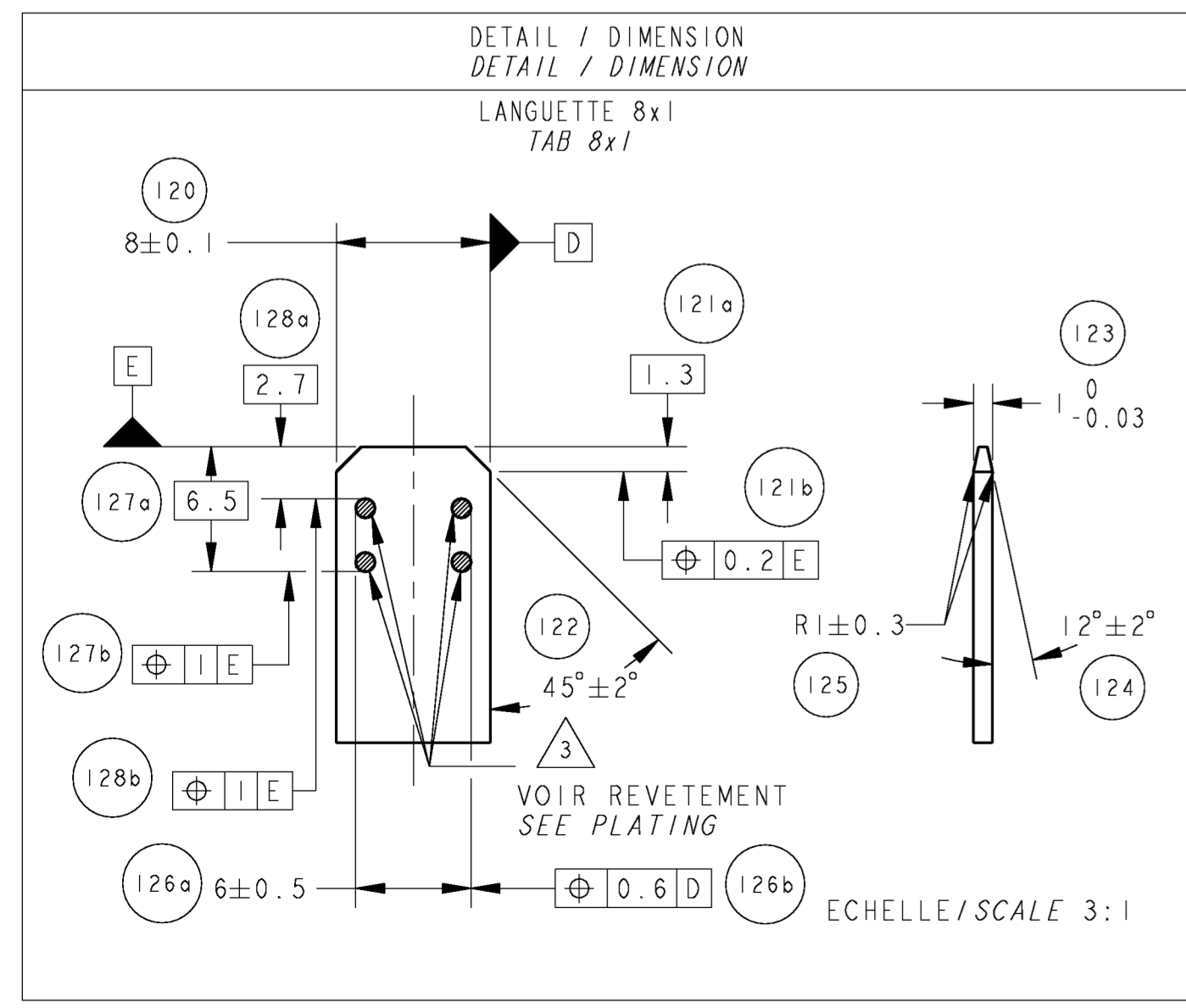
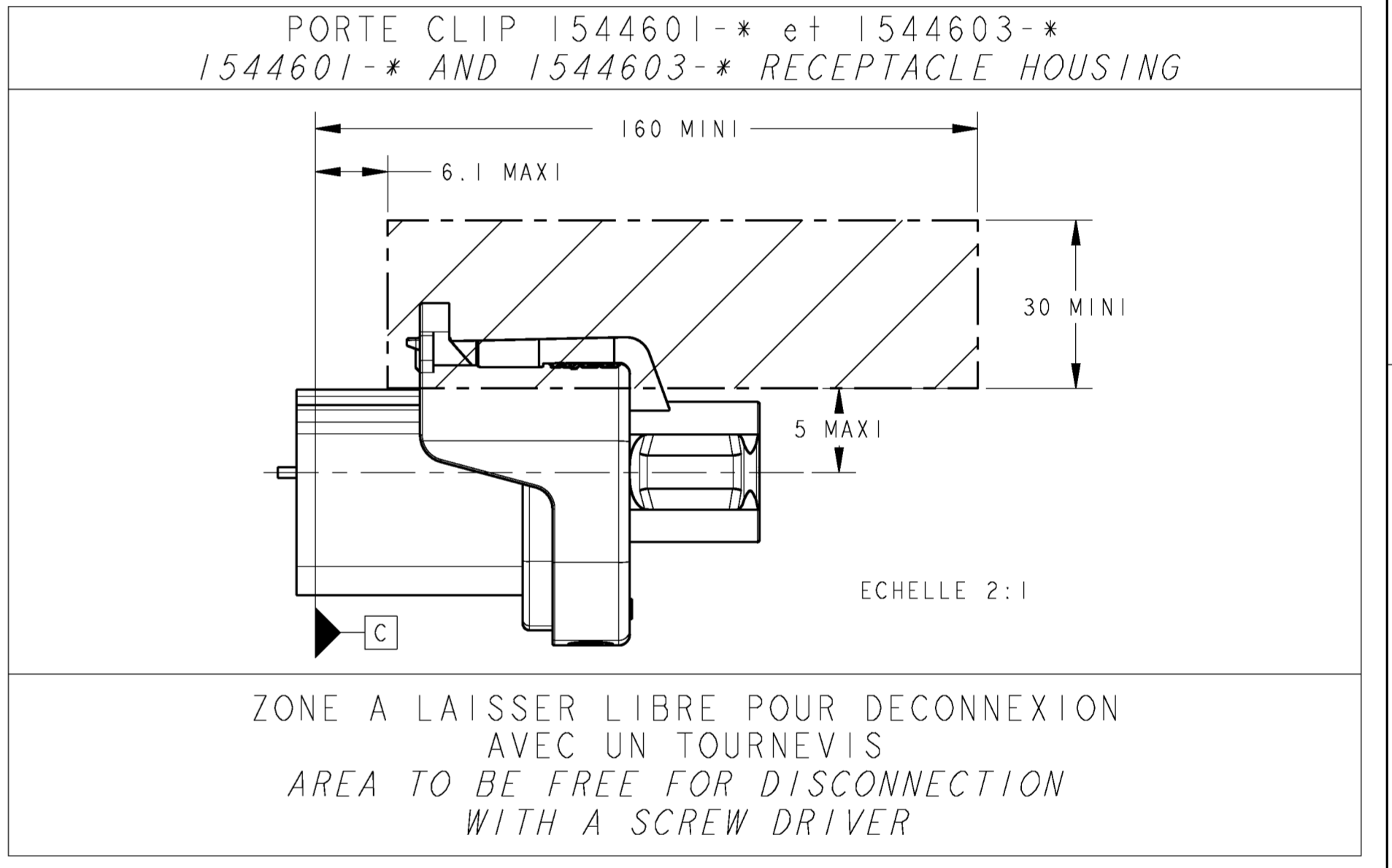
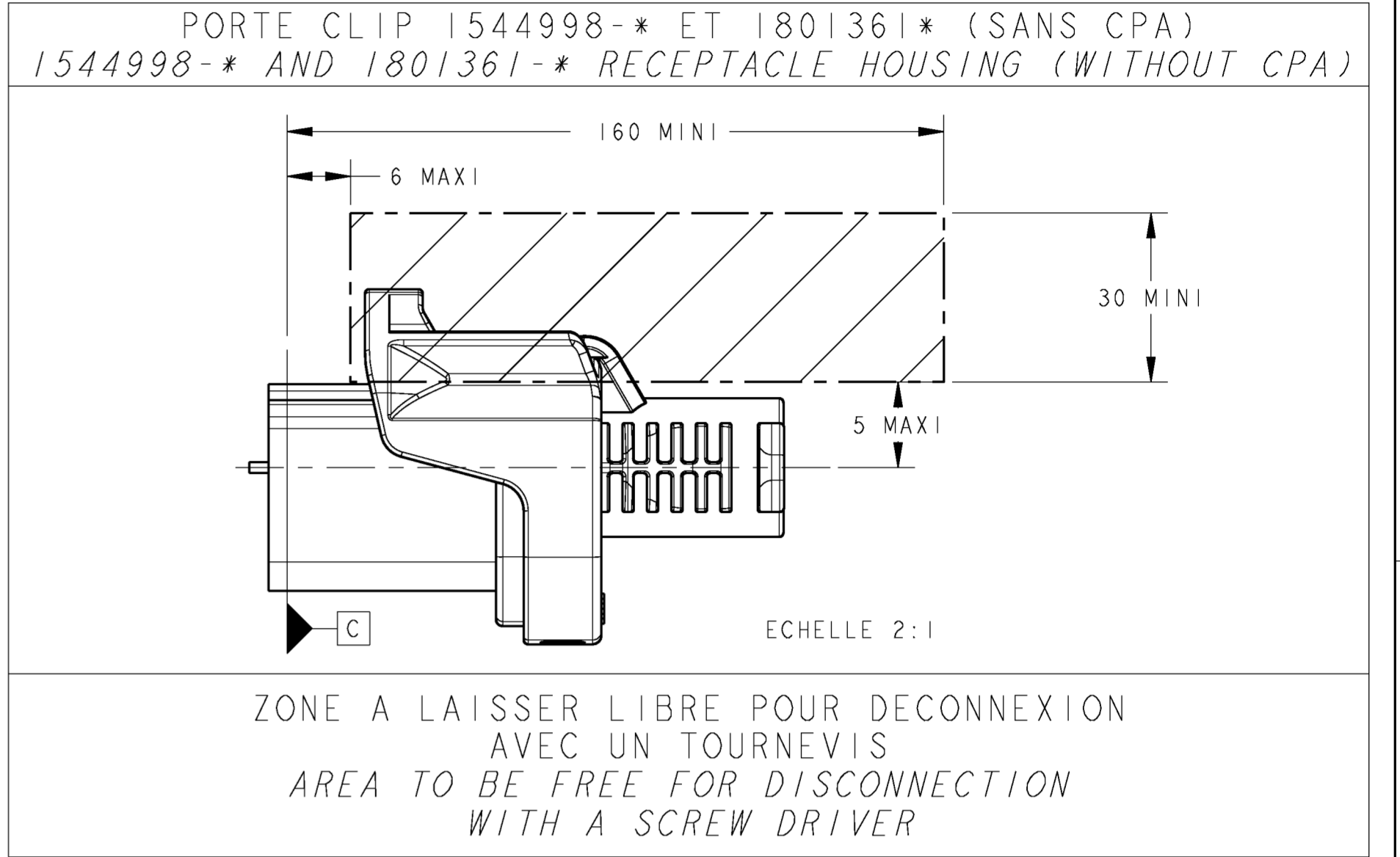
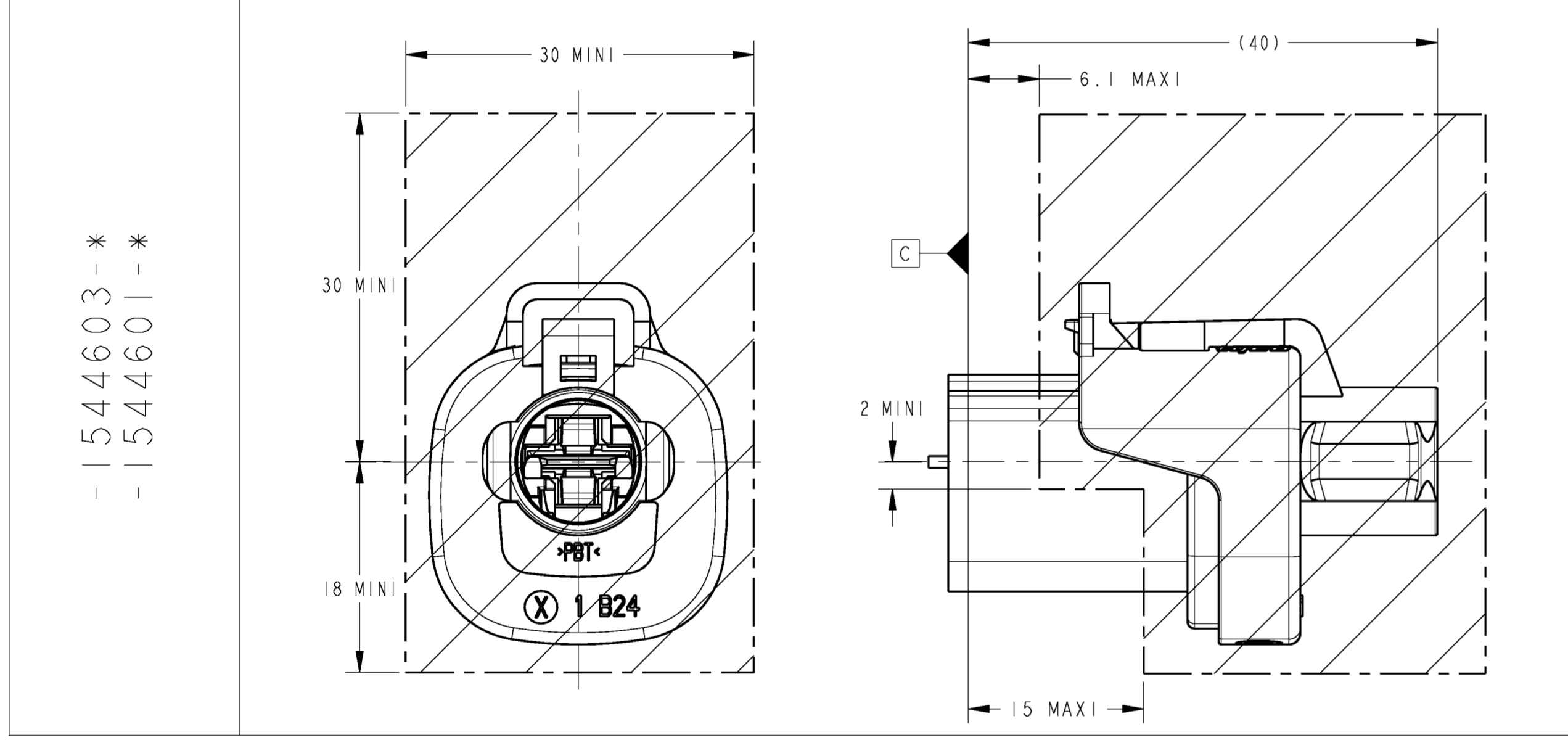
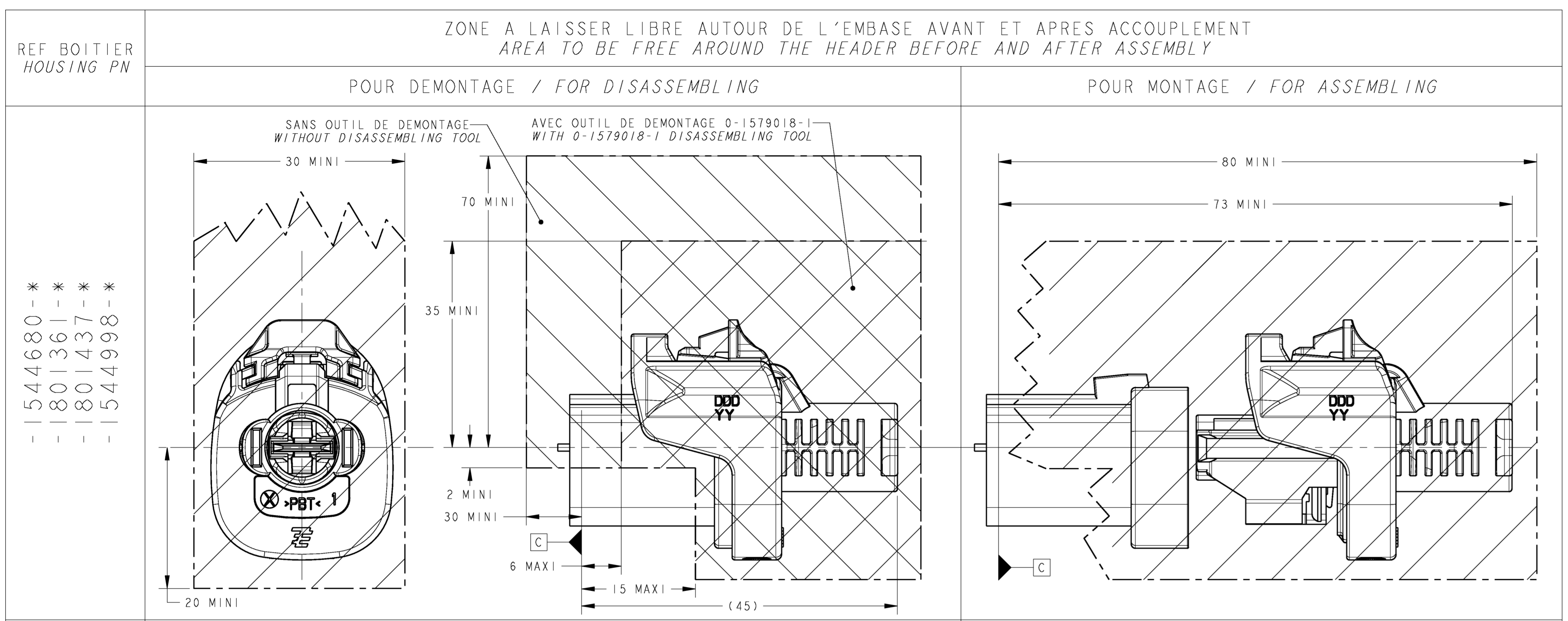
NOTE :

- RECOMMENDED MATERIAL: PBT 10% OR 20% GF
- DRAFTS: 1.5* UNLESS OTHERWISE SPECIFIED
- PART'S DEFORMATIONS MUST BE INCLUDED IN THE TOLERANCES
- () : DIMENSION FOR INFORMATION
- SD : WITHOUT DRAFT OR DRAFT INCLUDED IN THE TOLERANCES AREA TO BE POLISHED (Ra 0.4 ON THE MOLD)
- SHAPE CHECKING: 18 MEASUREMENT POINTS TO BE TAKEN ALL AROUND THE SEALING AREA AT 'Pos 1' AND 'Pos 2' LOCATION

LA COTATION EST EFFECTUEE SUIVANT L'EXIGENCE D'ENVELOPPE
 DIMENSIONING IS PERFORMED ACCORDING TO SURROUNDING REQUIREMENT
 ISO 8015:1985 (NF E 04-561 OCT.1991)

ISO 1101 (NF E 04-552)
 ISO 2692:1988 (NF E 04-555 FEV.1992)
 ISO 5459 (NF E 04-554 DEC.1988)
 ISO 5458:1987 (NF E 04-559 FEV.1991)
 ISO 10578 (NF E 04-558 AOUT 1983)
 ISO 10579 (NF E 04-565 OCT.1986)
 ISO 3040:1990 PARTIELLE (NF E 04-557 DEC.1991)

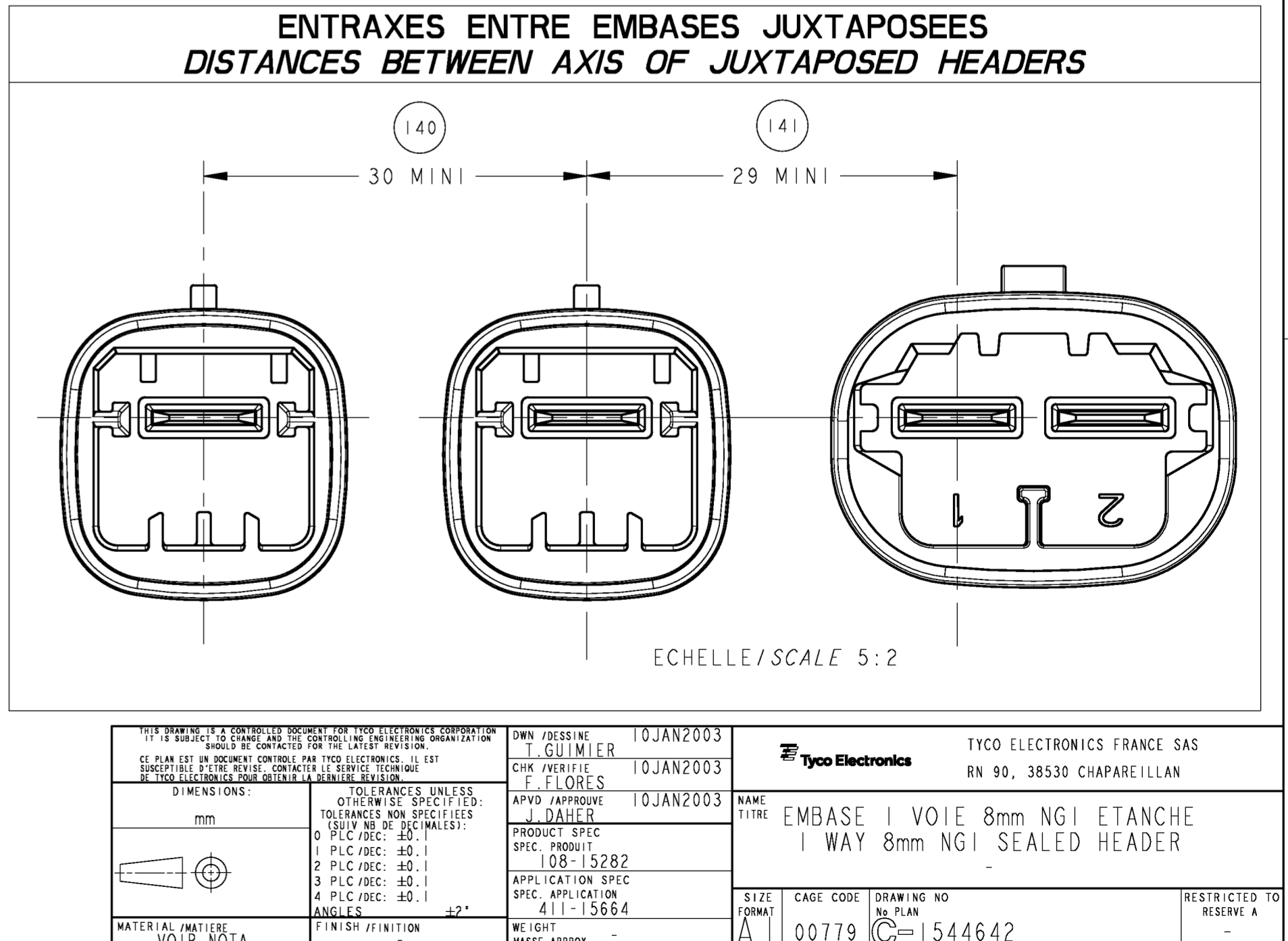
OWN / DRAFTER: T. GUILLEMER	DATE: 10JAN2003	TYCO ELECTRONICS FRANCE SAS RN 90, 38530 CHAPAREILLAN
CHK / CHECKER: F. FLORES	DATE: 10JAN2003	
APPV / APPROVED: DANIEL FLORES	NAME / TITRE: DANIEL FLORES	TYCO ELECTRONICS RN 90, 38530 CHAPAREILLAN
PRODUCT SPEC: PRODUCT SPEC	NAME / TITRE: DANIEL FLORES	
APPLICATION SPEC: 108-15282	NAME / TITRE: DANIEL FLORES	EMBASE 1 VOIE 8mm NG1 ETANCHE 1 WAY 8mm NG1 SEALED HEADER
SIZE / FORMAT: A	NAME / TITRE: DANIEL FLORES	
MATERIAL / MATIERE: VOIR NOTA / SEE NOTE	WEIGHT / MASSE APPROX.: -	RESTRICTED TO RESERVE A
CUSTOMER DRAWING	SCALE: 4:1	REV: H



MATIERE / REVETEMENT MATERIAL / PLATING	TENUE MECANIQUE MECHANICAL RESISTANCE
<p>MATIERE: - CONDUCTIVITE ELECTRIQUE PRECONISEE >60% IACS</p> <p>MATERIAL: - RECOMMENDED ELECTRIC CONDUCTIVITY >60% IACS</p> <p>REJETEMENT: ETAMAGE</p> <p>3: 4 POINTS DE MESURE SUR LES 2 FACES</p> <p>PLATING: TIN PLATED</p> <p>3: 4 MEASUREMENT POINTS ON BOTH FACES</p> <p>Ni 0.5-1µm Sn 0.8-3µm</p>	<p>Fh = 200N (<=>) Ft = 40N FI = 100N (<=>): TRACTION / COMPRESSION</p> <p>Fh = 200N (<=>) Ft = 40N FI = 100N (<=>): TENSION / COMPRESSION</p> <p>LES FORCES DOIVENT ETRE APPLIQUEES AU MILIEU DE L'ARETE OU DE LA FACE DESIGNEE THE FORCES MUST BE APPLIED AT THE MIDDLE OF THE EDGE OR THE SURFACE AS SHOWN</p> <p>ECHELLE 6:1</p>

COMPOSANTS ASSOCIES
ASSOCIATED COMPONENTS

COMPOSANTS COMPONENTS	REF TE PN TE	MATIERE MATERIAL
PORTE-CLIP 1 VOIE 8mm NGI ETANCHE 1-WAY 8mm NGI SEALED RECEPTACLE HOUSING	1544603-*	PBT HB
PORTE-CLIP 1 VOIE 8mm NGI 1-WAY 8mm NGI RECEPTACLE HOUSING	1544601-*	PBT HB
PORTE-CLIP 1 VOIE 8mm NGI GENE2 ETANCHE AVEC CPA 1-WAY 8mm NGI SEALED RECEPTACLE HOUSING GENE2 WITH CPA	1544680-*	PBT HB
PORTE-CLIP 1 VOIE 8mm NGI GENE2 ETANCHE 1-WAY 8mm NGI SEALED RECEPTACLE HOUSING GENE2	1801361-*	PBT HB
PORTE-CLIP 1 VOIE 8mm NGI GENE2 AVEC CPA 1-WAY 8mm NGI RECEPTACLE HOUSING GENE2 WITH CPA	1801347-*	PBT HB
PORTE-CLIP 1 VOIE 8mm NGI GENE2 1-WAY 8mm NGI RECEPTACLE HOUSING GENE2	1544998-*	PBT HB



<p>THIS DRAWING IS UNPUBLISHED. RELEASED FOR PUBLICATION UNDER A LICENSE BY TYCO ELECTRONICS CORPORATION. ALL RIGHTS RESERVED. 2006</p> <p>UN PUBLISHED. RELEASED FOR PUBLICATION UNDER A LICENSE BY TYCO ELECTRONICS CORPORATION. ALL RIGHTS RESERVED. 2006</p> <p>UN PUBLISHED. RELEASED FOR PUBLICATION UNDER A LICENSE BY TYCO ELECTRONICS CORPORATION. ALL RIGHTS RESERVED. 2006</p>	<p>OWN / PROSELINE: T. GUILMIER CHK / VERIFIE: F. FLORES</p> <p>APPROVE / APPROUVE: J. DANIEZ DATE: 10JAN2003</p> <p>PRODUCT SPEC: 10B-15282</p> <p>APPLICATION SPEC: 411-15664</p> <p>WEIGHT / MASSE APPROX: -</p> <p>CUSTOMER DRAWING</p>	<p>TYCO ELECTRONICS FRANCE SAS RN 90, 38530 CHAPAREILLAN</p> <p>NAME / TITRE: EMBASE 1 VOIE 8mm NGI ETANCHE 1 WAY 8mm NGI SEALED HEADER</p> <p>SIZE / FORMAT: A1</p> <p>CAGE CODE / DRAWING NO: 00779</p> <p>DRAWING NO: 1544642</p> <p>SCALE: 4:1</p> <p>SHEET / FEUILLE: 2 OF 2</p> <p>REV: H</p>
---	---	---