

Universal housings - UCS 195-145-F-GD 7035



2203336

<https://www.phoenixcontact.com/us/products/2203336>

Please be informed that the data shown in this PDF document is generated from our Online Catalog. Please find the complete data in the user documentation. Our General Terms of Use for Downloads are valid.



Complete housing for PCBs, can be positioned flexibly; includes housing half shells, side panels closed, adhesive domes for PCB attachment, screws for housing and PCB attachment; light gray housing with turquoise blue corner inlays

Your advantages

- High degree of application flexibility, thanks to the modular housing design
- Flexible PCB attachment, adapts to virtually all form factors
- Practical customization options
- Reduced logistics outlay, thanks to components which are compatible with one another

Commercial Data

Item number	2203336
Packing unit	1 pc
Minimum order quantity	1 pc
Sales Key	A13
Product Key	ACFCAA
GTIN	4055626404486
Weight per Piece (including packing)	600.9 g
Weight per Piece (excluding packing)	600.9 g
Customs tariff number	85389099
Country of origin	DE

Technical Data

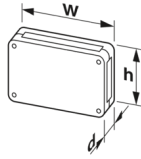
Notes

Assembly instruction:	The housing can be opened a maximum of 10 times.
Note on application	Attach the adhesive pads: Make sure that the surface of the housing is clean, dry, and free of grease. Temperature range: +18°C ... +30°C / Closing pressure force: 60 N / Closing pressure time: 3 s
General	Refer to the data sheet for the range in the download area.

Product properties

Product type	Complete housing
Type	Flat design (GD)
Housing type	Universal housings
Ventilation openings present	no
Housing series	UCS

Dimensions

Dimensional drawing	
Width	195 mm
Height	145 mm
Depth	47 mm
Dimensions	170 mm x 120 mm (Maximum circuit board dimensions)

PCB design

PCB thickness	0.8 mm ... 3 mm
---------------	-----------------

Material specifications

Color	light grey (7035)
Flammability rating according to UL 94	V0
CTI according to IEC 60112	225
Insulating material	PC
Surface characteristics	untreated
Housing material	PC

Environmental and real-life conditions

Power dissipation single housing for 20 °C

Ambient temperature	20 °C
Reduction factor	1
Mounting position	vertical

Universal housings - UCS 195-145-F-GD 7035



2203336

<https://www.phoenixcontact.com/us/products/2203336>

Power dissipation	19 W
-------------------	------

Power dissipation single housing for 30 °C

Ambient temperature	30 °C
Reduction factor	0.83
Mounting position	vertical
Power dissipation	15.7 W

Power dissipation single housing for 40 °C

Ambient temperature	40 °C
Reduction factor	0.66
Mounting position	vertical
Power dissipation	12.5 W

Power dissipation single housing for 50 °C

Ambient temperature	50 °C
Reduction factor	0.49
Mounting position	vertical
Power dissipation	9.3 W

Power dissipation single housing for 60 °C

Ambient temperature	60 °C
Reduction factor	0.32
Mounting position	vertical
Power dissipation	6 W

Vibration test

Specification	IEC 60068-2-6:2007-12
Frequency	10 - 150 - 10 Hz
Sweep speed	1 octave/min
Amplitude	0.15 mm (10 - 58.1 Hz)
Acceleration	2g (58.1 - 150 Hz)
Test duration per axis	2.5 h
Test directions	X-, Y- and Z-axis

Glow-wire test

Specification	DIN EN 60695-2-11 (VDE 0471-2-11):2014-11
Temperature	850 °C
Time of exposure	30 s

Thermal stability / ball thrust test

Specification	IEC 60695-10-2:2014-02
Temperature	125 °C
Test duration	1 h
Force	20 N

Mechanical strength / tumbling barrel

Specification	IEC 60068-2-31:2008-05
---------------	------------------------

Height of fall	50 cm
Frequency	50

Shocks

Specification	IEC 60068-2-27:2008-02
Pulse shape	Half-sine
Acceleration	15g
Shock duration	11 ms
Number of shocks per direction	3
Test directions	X-, Y- and Z-axis (pos. and neg.)

Test for substances that would hinder coating with paint or varnish

Specification	VW PV 3.10.7:2005-02
Result	Test passed

Degree of protection (IP code)

Specification	IEC 60529:1989-11 + AMD 1:1999-11 + AMD 2:2013-08
Result, degree of protection, IP code	IP40

Ambient conditions

Max. IP code to attain	IP40
Ambient temperature (operation)	-40 °C ... 105 °C (depending on power dissipation)
Ambient temperature (storage/transport)	-40 °C ... 55 °C
Ambient temperature (assembly)	-5 °C ... 100 °C
Relative humidity (storage/transport)	80 %

PCB data

Number of PCB holders	1
Type of PCB mount	Bolt mounting
Total PCB surface	14400 mm ²
Thickness of the PCB	0.8 mm ... 3 mm
Supported form factors	EPIC, ETX, Nano-ITX, PC/104, Pico-ITX, Raspberry Pi
Note on PCB holders	This product is prepared for a printed-circuit board. Additional printed-circuit boards can be mounted using adhesive pads (accessories).

Mounting

Mounting type	Screw mounting
Mounting position	any
Tightening torque / speed	Screw connection between housing halves: 1.2 Nm-1.4 Nm / 500 rpm-1000 rpm Mounting the PCB: 0.4 Nm-0.5 Nm / 500 rpm-1000 rpm

Packaging specifications

Type of packaging	Box packaging
-------------------	---------------

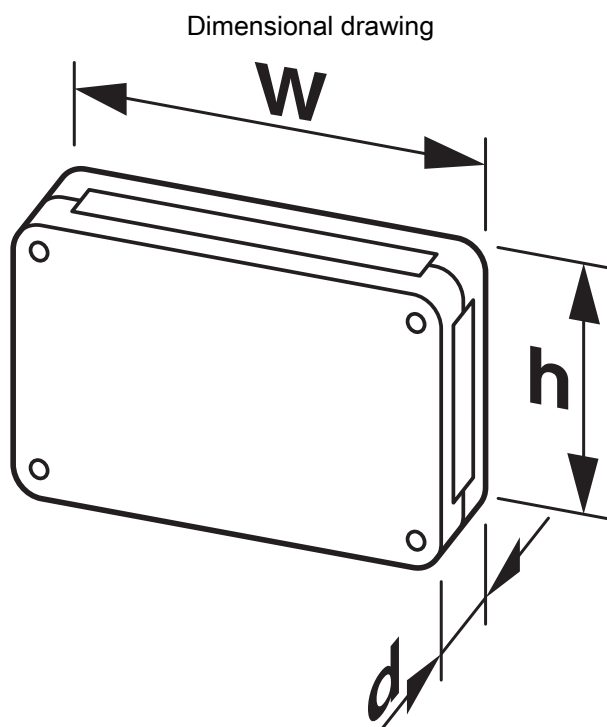
Universal housings - UCS 195-145-F-GD 7035

2203336

<https://www.phoenixcontact.com/us/products/2203336>



Drawings



Schematic representation – for additional information, see product range drawing in the Download Center

Universal housings - UCS 195-145-F-GD 7035



2203336

<https://www.phoenixcontact.com/us/products/2203336>

Approvals



UL Recognized

Approval ID: FILE E 240868

Universal housings - UCS 195-145-F-GD 7035



2203336

<https://www.phoenixcontact.com/us/products/2203336>

Classifications

ECLASS

ECLASS-9.0	27182702
ECLASS-10.0.1	27182702
ECLASS-11.0	27182702

ETIM

ETIM 8.0	EC001031
----------	----------

UNSPSC

UNSPSC 21.0	31261500
-------------	----------

2203336

<https://www.phoenixcontact.com/us/products/2203336>

Accessories

Screwdriver

Screwdriver - SF-TXH 10X80 - 1200149

<https://www.phoenixcontact.com/us/products/1200149>



Screwdriver, Torx[®] with bore hole, TX 10 x 80, two-component handle

Battery-powered screwdriver

Battery-powered screwdriver - SF-ASD 21 - 1212532

<https://www.phoenixcontact.com/us/products/1212532>



Cordless screwdriver, incl. 1.5 Ah battery, forward/reverse running, 21-stage coupling, up to 600 rpm, 6.3 mm hexagonal fast connection drill chuck, torque can be adjusted from 0.3 ... 4.4 Nm

2203336

<https://www.phoenixcontact.com/us/products/2203336>

Torque screwdriver

Torque screwdriver - TSD-M 1,2NM - 1212224

<https://www.phoenixcontact.com/us/products/1212224>



Torque screw driver, accuracy as per EN ISO 6789 standard, adjustable from 0.3 - 1.2 Nm

Screw insert

Screw insert - SF-BIT-TX 10-50 - 1212573

<https://www.phoenixcontact.com/us/products/1212573>



Screw bit, Torx[®], E6.3-1/4" drive, size: TX 10 x 50 mm, hardened, suitable for holder according to DIN 3126-F6.3/ISO 1173

Universal housings - UCS 195-145-F-GD 7035

2203336

<https://www.phoenixcontact.com/us/products/2203336>

Adapter plate

Adapter plate - UCS WM-MP 195-145 7035 - 1225405

<https://www.phoenixcontact.com/us/products/1225405>

Adapter for attaching UCS housings in size 195-145 to the wall, to VESA standard brackets, and to wall outlet boxes, housing is snapped on, material: polycarbonate, color: light gray, similar to RAL 7035



Wall bracket

Wall bracket - UCS WM-B 7035 - 2203718

<https://www.phoenixcontact.com/us/products/2203718>

Adapter for mounting the UCS housing on the wall, material: polyamide, color: light gray similar to RAL 7035, used instead of UCS CC corner insert; only used in conjunction with UCS GD 9005 adhesive pad



Universal housings - UCS 195-145-F-GD 7035

2203336

<https://www.phoenixcontact.com/us/products/2203336>

Wall bracket

Wall bracket - UCS WM-B 9005 - 2203719

<https://www.phoenixcontact.com/us/products/2203719>



Adapter for mounting the UCS housing on the wall, material: polyamide, color: black similar to RAL 9005, used instead of UCS CC corner insert; only used in conjunction with UCS GD 9005 adhesive pad

Wall bracket

Wall bracket - UCS WM-B 5018 - 2203391

<https://www.phoenixcontact.com/us/products/2203391>



Adapter for mounting the UCS housing on the wall, material: polyamide, color: turquoise similar to RAL 5018, used instead of UCS CC corner insert. Only used in conjunction with UCS GD 9005 adhesive pad

Universal housings - UCS 195-145-F-GD 7035

2203336

<https://www.phoenixcontact.com/us/products/2203336>

Stand

Stand - UCS PED 7035 - 2203392

<https://www.phoenixcontact.com/us/products/2203392>



Stand for mounting the UCS housing; height: 47 mm; material: polyamide; color: light gray, similar to RAL 7035; wall mounting option is integrated, snaps into the screw holes of the housing

Stand

Stand - UCS PED 9005 - 2203393

<https://www.phoenixcontact.com/us/products/2203393>



Stand for mounting the UCS housing; height: 47 mm; material: polyamide; color: black, similar to RAL 9005; wall mounting option is integrated, snaps into the screw holes of the housing

Universal housings - UCS 195-145-F-GD 7035

2203336

<https://www.phoenixcontact.com/us/products/2203336>

Stand

Stand - UCS PED 5018 - 2203394

<https://www.phoenixcontact.com/us/products/2203394>



Stand for mounting the UCS housing, height: 47 mm; material: polyamide; color: turquoise blue, similar to RAL 5018; wall mounting option is integrated, snaps into the screw holes of the housing

Corner guards

Corner guards - UCS CP 7035 - 2203346

<https://www.phoenixcontact.com/us/products/2203346>



Adapter for protecting the corners of the UCS housing; material: TPE-U; color: light gray, similar to RAL 7035; held in the screw holes of the housing

Universal housings - UCS 195-145-F-GD 7035

2203336

<https://www.phoenixcontact.com/us/products/2203336>

Corner guards

Corner guards - UCS CP 9005 - 2203347

<https://www.phoenixcontact.com/us/products/2203347>



Adapter for protecting the corners of the UCS housing; material: TPE-U; color: black, similar to RAL 9005; held in the screw holes of the housing

Corner guards

Corner guards - UCS CP 5018 - 2203348

<https://www.phoenixcontact.com/us/products/2203348>



Adapter for protecting the corners of the UCS housing; material: TPE-U; color: turquoise blue, similar to RAL 5018; held in the screw holes of the housing

Universal housings - UCS 195-145-F-GD 7035

2203336

<https://www.phoenixcontact.com/us/products/2203336>

Stacking adapters

Stacking adapters - UCS CS 7035 - 2203720

<https://www.phoenixcontact.com/us/products/2203720>



Adapter for stacking several UCS housings of one size; material: TPE-U; color: light gray, similar to RAL 7035; held in the screw holes of the housing

Stacking adapters

Stacking adapters - UCS CS 9005 - 2203721

<https://www.phoenixcontact.com/us/products/2203721>



Adapter for stacking several UCS housings of one size; material: TPE-U; color: black, similar to RAL 9005; held in the screw holes of the housing

Universal housings - UCS 195-145-F-GD 7035

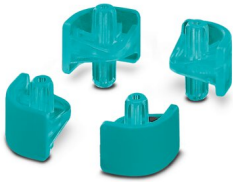
2203336

<https://www.phoenixcontact.com/us/products/2203336>

Stacking adapters

Stacking adapters - UCS CS 5018 - 1029039

<https://www.phoenixcontact.com/us/products/1029039>



Adapter for stacking several UCS housings of one size; material: TPE-U; color: turquoise blue, similar to RAL 5018; held in the screw holes of the housing

DIN rail adapter

DIN rail adapter - UCS DIN 145-F 7035 - 2203839

<https://www.phoenixcontact.com/us/products/2203839>



DIN rail adapter for mounting one UCS 145-125-F housing (long side) or UCS 195-145-F housing (short side) onto an NS 35 DIN rail; will be set into the housing instead of a UCS SW 145 side wall; material: polycarbonate; color: light gray, similar to RAL 7035

Universal housings - UCS 195-145-F-GD 7035

2203336

<https://www.phoenixcontact.com/us/products/2203336>

DIN rail adapter

DIN rail adapter - UCS DIN 145-F 9005 - 1174341

<https://www.phoenixcontact.com/us/products/1174341>

DIN rail adapter for mounting one UCS 145-125-F housing (long side) or UCS 195-145-F housing (short side) onto an NS 35 DIN rail; will be set into the housing instead of a UCS SW 145 side wall; material: polycarbonate; color: black, similar to RAL 9005



Mounting set

Mounting set - UCS GD 9005 - 2203401

<https://www.phoenixcontact.com/us/products/2203401>

Adhesive screw boss, for securing the printed-circuit board, material: polyamide; content 4 pieces with screws 2.5 x 8



Universal housings - UCS 195-145-F-GD 7035



2203336

<https://www.phoenixcontact.com/us/products/2203336>

Fiber optic

Fiber optic - HS LC-H-D2/ R2XC1-2,54 - 2202316

<https://www.phoenixcontact.com/us/products/2202316>



Light guides, passive, rigid, can be used for the ME, ME-MAX, ME-IO, ME PLC, and EH housing ranges (housing must be processed)

Fiber optic

Fiber optic - HS LC-H-D2/ R2XC2-2,54 - 2202317

<https://www.phoenixcontact.com/us/products/2202317>



Light guides, passive, rigid, can be used for the ME, ME-MAX, ME-IO, ME PLC, and EH housing ranges (housing must be processed)

Universal housings - UCS 195-145-F-GD 7035



2203336

<https://www.phoenixcontact.com/us/products/2203336>

Fiber optic

Fiber optic - HS LC-H-D2/ R2XC5-2,54 - 2202318

<https://www.phoenixcontact.com/us/products/2202318>

Light guides, passive, rigid, can be used for the ME, ME-MAX, ME-IO, ME PLC, and EH housing ranges (housing must be processed)



Fiber optic

Fiber optic - HS LC-H-D2/ R2XC10-2,54 - 2202319

<https://www.phoenixcontact.com/us/products/2202319>

Light guides, passive, rigid, can be used for the ME, ME-MAX, ME-IO, ME PLC, and EH housing ranges (housing must be processed)



Phoenix Contact 2022 © - all rights reserved
<https://www.phoenixcontact.com>

Phoenix Contact USA
586 Fulling Mill Road
Middletown, PA 17057, United States
(+717) 944-1300
info@phoenixcon.com