

Have a Question?

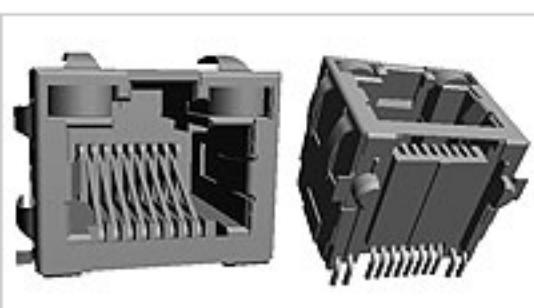
Chat with a Product Information Specialist



What can we help you find?


[Home](#) > [Products](#) > [Modular Jacks & Plugs](#) > [Product Feature Selector](#) > [Product Details](#)

2178415-1 Product Details

[Share](#) | [Print](#) | [Email](#)


PCB Mounted Jacks - Single Port, Multi-port and Stacked

MJ,RJ45,SMT,SHLD

2178415-1

TE Internal Number: 2178415-1

Active
[View 3D PDF](#)
Product Highlights [View All](#)

- Connector
- Preloaded
- Single Port Configuration
- 1 x 1 Jack Configuration
- Jack Type = RJ45

[Pricing & Availability](#)
[Request Sample](#)
[Add to My Part List](#)
[Buy Product through Distributor](#)
[Documents](#) | [Features](#) | [Compliance](#)

Related Products

Not quite the product you're looking for?

[Find Similar Products](#)

[View Part in Product Feature Selector](#)

[Check for Tooling](#)

Feedback
Please Note:
 Use the Product Drawing for all design activity

Product Type Features

Product Type	Connector
Jack Type ?	RJ45
PCB Mounting Orientation ?	Side Entry (Right Angle)
PCB Mount Style ?	Surface Mount
Performance Category ?	Cat 5
Panel Stops ?	Without
Keyed ?	No
Color ?	Black

Mechanical Attachment

Panel Mount Retention ?	Without
--------------------------------	---------

Termination Features

Termination Method to PC Board ?	Solder
---	--------

Body Features

Shield Plating	Nickel
Shield Material	Brass

Contact Features

Solder Tail Contact Plating ?	Gold Flash over Nickel
Contact Plating, Mating Area, Material ?	Gold (50)
Contact Base Material	Phosphor Bronze

Housing Features

Housing Material	High Temperature Thermoplastic
-------------------------	--------------------------------

Configuration Features

Preloaded	Yes
Port Configuration	Single
Jack Configuration ?	1 x 1
Number of Positions ?	8
Shielded ?	Yes
Number of Contacts Loaded	8
Number of PCB Ground Tabs	2

Industry Standards

RoHS/ELV Compliance ?	RoHS compliant, ELV compliant
Lead Free Solder Processes ?	Reflow solder capable to 245°C, Reflow solder capable to 260°C
RoHS/ELV Compliance History	Always was RoHS compliant
UL Flammability Rating	UL 94V-0

Identification Marking

LED Position 3 Color ?	None
-------------------------------	------

Packaging Features

Packaging Method	Tray
-------------------------	------

Product Availability

Region	Asia, North America
---------------	---------------------

Other

Brand	AMP
--------------	-----

Corporate Information

- [About TE](#)
- [Investors](#)
- [News Room](#)
- [Supplier Portal](#)
- [Careers](#)
- [Terms & Conditions](#)
- [Privacy Policy](#)
- [Global Accessibility Statement](#)

Quick Links

- [Distributor Inventory](#)
- [Product Cross Reference](#)
- [Documents & Drawings](#)
- [Product Compliance Support Center](#)
- [Site Map](#)

Customer Support

- [Email or Chat With Us](#)
- [Find a Phone Number](#)
- [Knowledge Base](#)
- [Manage Your Account](#)

Keep Me Informed

