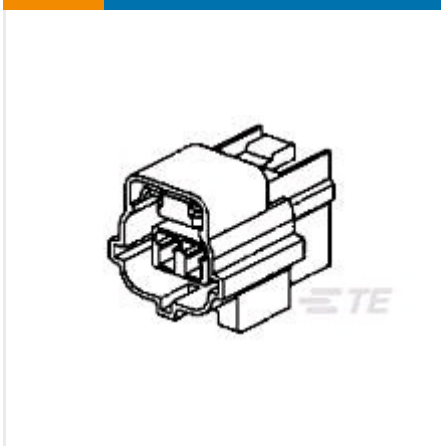




CONNECTORS

AUTOMOTIVE, TRUCK, BUS, & OFF-ROAD HOUSINGS



✓ Active

TE CONNECTIVITY (TE)

070 EJ-2(2) PLUG ASSY 3P SIR

AMP | Econoseal , Econoseal J - 070

2-174357-2

TE Internal Number: 2-174357-2

EU RoHS Compliant

EU ELV Compliant

Connector Style Housing for female terminals

Mating Tab Width 1.8 mm [.071 in]

Connector System Wire-to-Wire

Number of Positions 3

Centerline (Pitch) 4.8 mm [.189 in]

[↓ PRODUCT DRAWING](#)
English

[↓ 3D PDF](#)

DOCUMENTATION

Product Drawings

3Pos. ECONOSEAL J-MARKII+ CONNECTOR PLUG HOUSING

PDF

English

CAD Files

Customer View Model

2D_DXF.ZIP

English

3D PDF

PDF

3D

Customer View Model

3D_IGS.ZIP

English

Customer View Model

3D_STP.ZIP

English

Product Specifications

Application Specification

Crimping Of AMP-ECONOSEAL "J"-II, .070 And .250 Series Contact

TIF

English

Crimping Of AMP-ECONOSEAL "J"-II, .070 And .250 Series Contact

PDF

English

Product Specification

AMP-ECONOSEAL-J Mark II+ Connector

PDF

English

AMP-ECONOSEAL-J Mark II+ Connector

PDF

Japanese

Qualification Test Report

Econoseal-J Mark II+ Connector

TIF

English

Econoseal-J Mark II+ Connector

PDF

English

Instruction Sheets

Customer Manual (non U.S.)

ECONOSEAL J MARK II+ CONNECTOR (EJ-MK II+)

TIF

English

ECONOSEAL J MARK II+ CONNECTOR (EJ-MK II+)

PDF

English

ECONOSEAL J MARK II+ CONNECTOR

TIF

English

ECONOSEAL J MARK II+ CONNECTOR

PDF

English

FEATURES



Please review product documents or [contact us](#) for the latest agency approval information.

Please Note: Use the Product Drawing for all design activity.

Product Type Features

Connector Style Housing for female terminals
Connector System Wire-to-Wire
Sealable Yes
Hybrid Connector No
Primary Locking Feature Integrated in Housing
Strain Relief No

Configuration Features

Number of Positions 3
Number of Rows 1

Electrical Characteristics

Nominal Voltage Architecture (V) 12
Operating Voltage (VDC) 12

Body Features

Color Black
Cable Exit Angle 180°
Body Material PBT

Contact Features

Mating Tab Width 1.8 mm [.071 in]

Mechanical Attachment

Mounting Feature Yes
Terminal Position Assurance Yes
Polarized Yes

Housing Features

Centerline (Pitch) 4.8 mm [.189 in]

Dimensions

Width 25.4 mm [1 in]
Height 22.8 mm [.898 in]
Length 27.6 mm [1.087 in]

Usage Conditions

Operating Temperature Range -30 – 105 °C [-22 – 221 °F]

Operation/Application

Circuit Application Signal

Industry Standards

Degree of Protection Other

UL Flammability Rating UL 94V-2

Packaging Features

Packaging Method Bag

Packaging Quantity 100

Other

Connector Position Assurance Capable No

Serviceable Yes

PRODUCT COMPLIANCE



Statement of Compliance

Statement of Compliance

PDF
