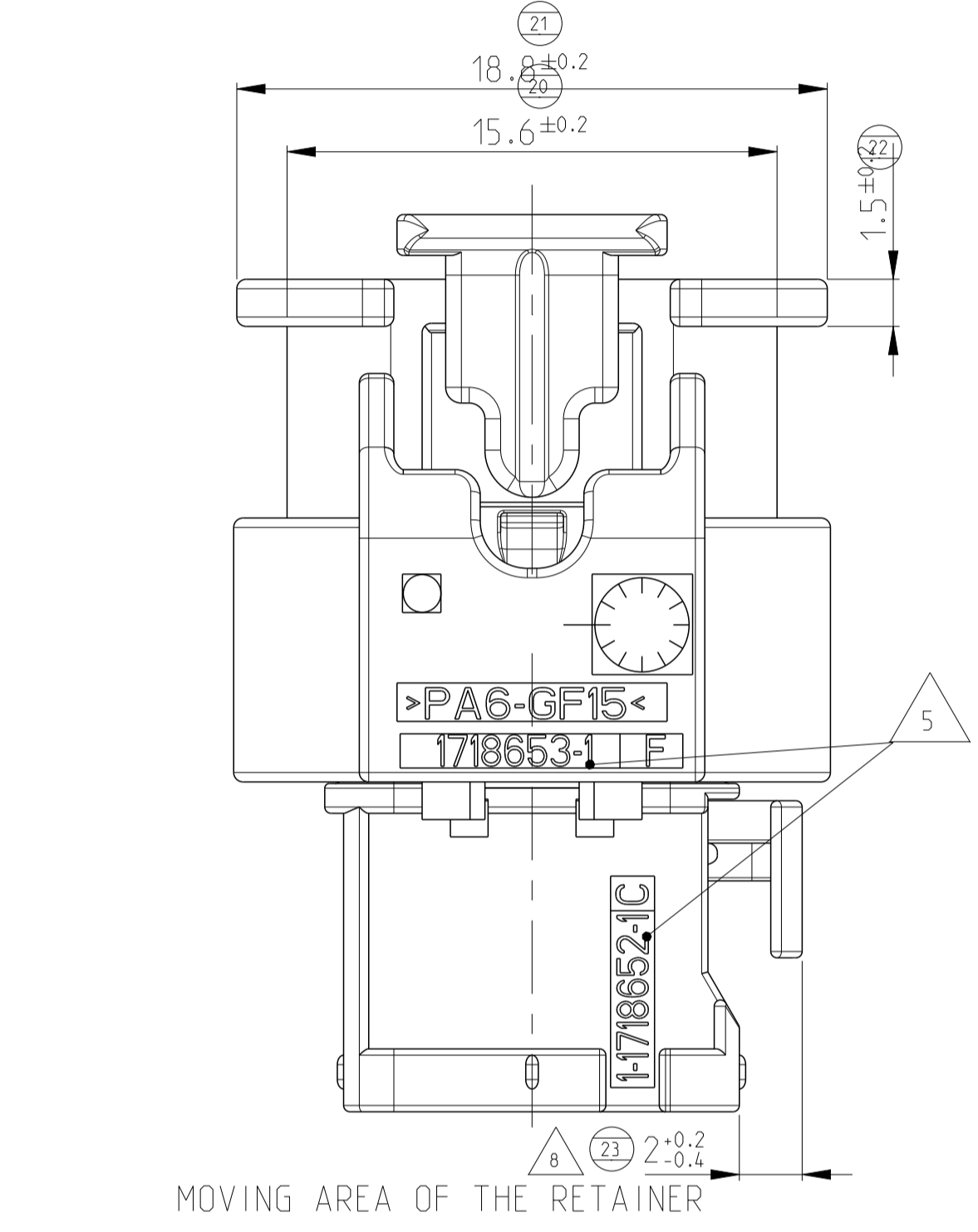
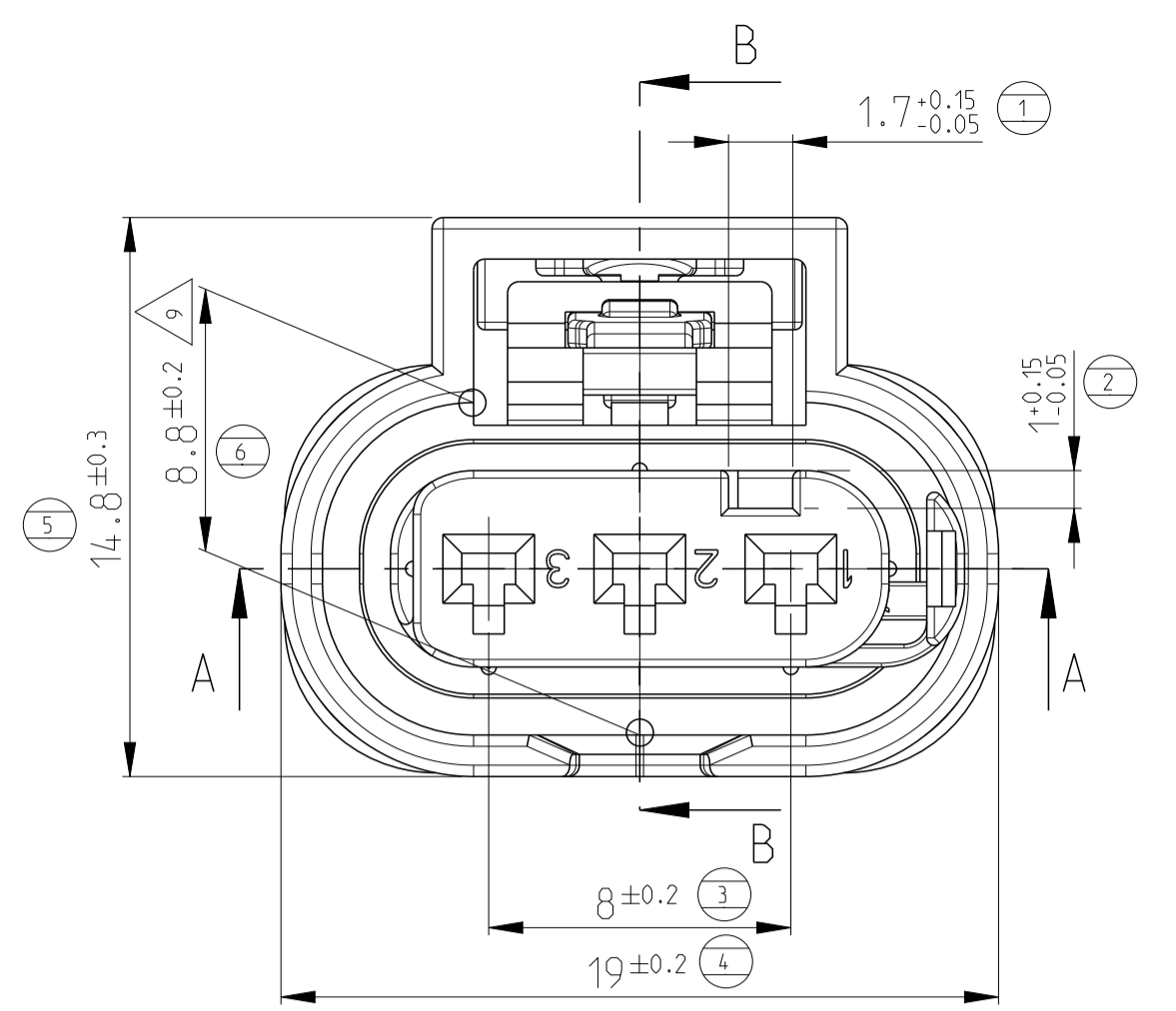
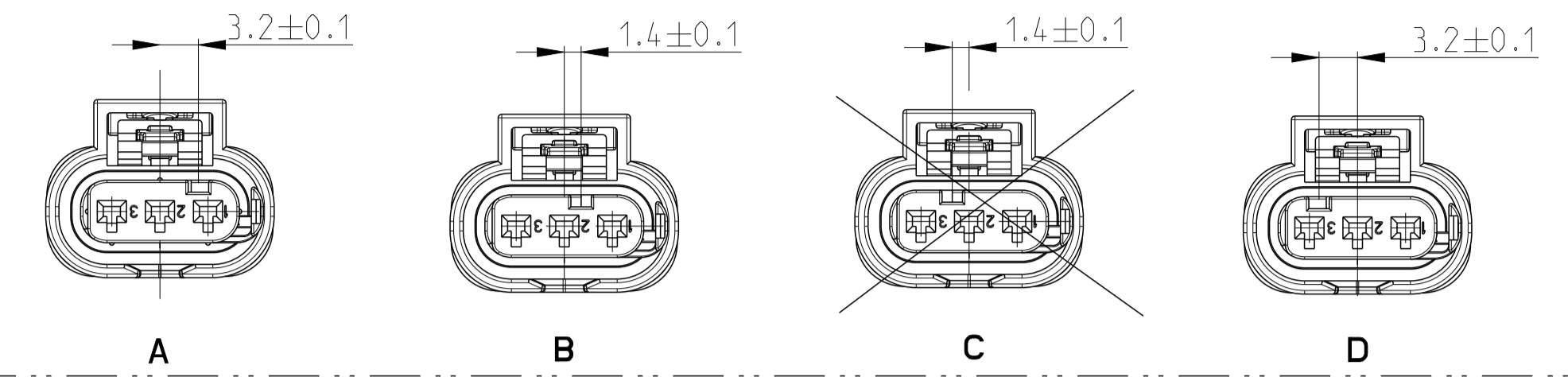


B-B
3:1



MOVING AREA OF THE RETAINER

CODINGS
M 2:1



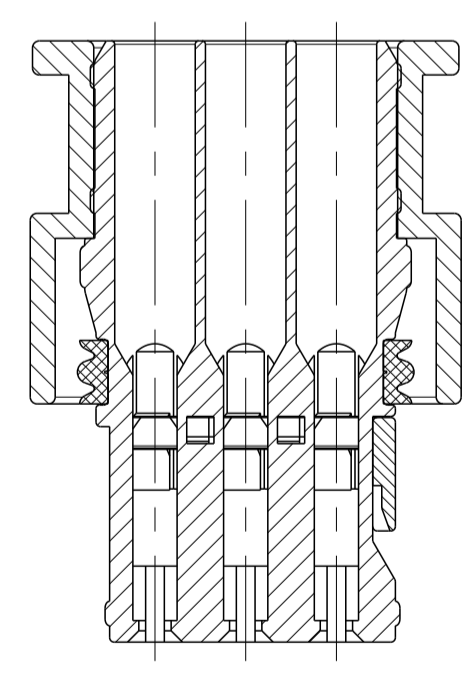
NOTES:

- Bemerkungen:
- ONLY THE GERMAN LANGUAGE VERSION IS AUTHORITY. Massgebend ist nur der deutsche Text.
 - AREA FOR PRINT. Bereich für Bedruckung.
 - USABLE CONTACTS MCON 1.2 LL. SEE TE-NO. 1452674. Verwendbare Kontakte MCON 1.2 LL siehe TE-Zeichnung 1452674.
 - MAX. WIRE SIZE RANGE 1.0 mm² FLR PERMITTED FOR CAVITY-Ø 3.55MM. QUANTITY SEE WIRE HARNESS DRAWING FOR PERMISSIBLE CURRENT CARRYING CAPACITY OF THE SINGLE CONTACT. SEE PRODUCT SPECIFICATION NO.108-18782 max. zulässiger Leitungsquerschnitt 1,0 mm² FLR, für Kammer-Ø 3,55mm die Stückzahl ist im Leitungssatz festgelegt die zulässige Strombelastbarkeit für die einzelnen Kontakte ist der Spezifikation 108-18782 zu entnehmen.
 - SUPPLIER-MARK. Lieferantenkennzeichnung.
 - SPACE OF ACTIVITY. Befähigungsfreiraum.
 - SUPPLY CONDITION: CPA IN PRELOCKED POSITION. Auslieferungszustand: Gehäusesicherung in Vorraststellung.
 - SUPPLY CONDITION: RETAINER IN PRELOCKED POSITION. Auslieferungszustand: Zweite Kontaktsicherung in Vorraststellung.
 - WARPAGE PERMITTED TO MAX. -0.5mm. Verzug zulässig bis max. -0.5mm.
 - TE ORDER-NO. TE Bestell-Nr.
 - ACCORDING TO INTERFACE DRAWING. SEE TE-NO. 114-18679-3. Passend zur Schnittstellen-Zeichnung siehe TE-Nr. 114-18679-3.
 - VAR II: TEMPERATURE RESISTANCE OF PLASTIC PARTS 150 °C. VAR II: Temperaturbeständigkeit der Kunststoffteile 150 °C.
 - ASSEMBLY LINE SEGMENT IDENTIFICATION. Markierung für Segment der Assembly Anlage.
 - DATE CODE (DDYY). Datum Kodierung (TTJJ).
 - DIVERGENT MARKING FOR PARTS FROM CHINESE AND U.S. PRODUCTION. Abweichende Beschriftung zulässig fuer Teile aus China und U.S. -Produktion.

CODING A AS SHOWN
Kodierung A wie gezeichnet

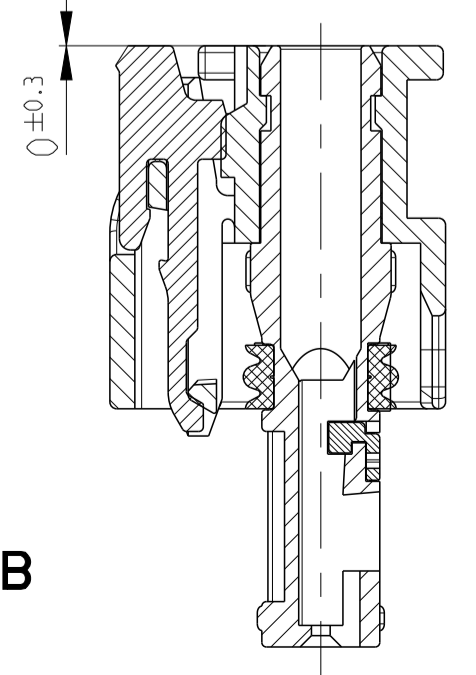
TE-ORDER-NO.	COD	DESCRIPTION	REV	QTY	DESCRIPTION	MATERIAL	SURFACE/COLOUR	ITEM	VAR
4-1718644-1	C	3pos. MCON 1.2 - LL Connector Sealed	A	1	MCON 1.2 - CPA	PA46-GF15	GRAY SIML. RAL 7037	5	I
				1	3pos. MCON 1.2 - Seal	MVQ	NATURE	4	
				1	3pos. MCON 1.2 - Retainer	PA66-GF15	VIOLETT SIML. RAL 4006	3	
				1	3pos. MCON 1.2 - Protection Cover	PA6-GF15	BLACK SIML. RAL 9011	2	
				1	3pos. MCON 1.2 - Recepticle Hsg.	PA66-GF30	VIOLETT SIML. RAL 4006	1	
2-1718644-5	B	3pos. MCON 1.2 - LL Connector Sealed	A	1	MCON 1.2 - CPA	PA46-GF15	GRAY SIML. RAL 7037	5	II
				1	3pos. MCON 1.2 - Seal	MVQ	GREEN	4	
				1	3pos. MCON 1.2 - Retainer	PA66-GF15	VIOLETT SIML. RAL 4006	3	
				1	3pos. MCON 1.2 - Protection Cover	PA46	BLACK SIML. RAL 9011	2	
				1	3pos. MCON 1.2 - Recepticle Hsg.	PA66-GF30	NATURE	1	
1-1718644-5	A	3pos. MCON 1.2 - LL Connector Sealed	D	1	Gehäusesicherung CPA	PA46-GF15	GRAY SIML. RAL 7037	5	II
				1	3pos. MCON 1.2 - Seal	MVQ	GREEN	4	
				1	3pos. MCON 1.2 - Retainer	PA66-GF15	VIOLETT SIML. RAL 4006	3	
				1	3pos. MCON 1.2 - Protection Cover	PA46	BLACK SIML. RAL 9011	2	
				1	3pos. MCON 1.2 - Recepticle Hsg.	PA66-GF30	BLACK SIML. RAL 9011	1	
2-1718644-1	B	3pos. MCON 1.2 - LL Connector Sealed	F	1	MCON 1.2 - CPA	PA46-GF15	GRAY SIML. RAL 7037	5	I
				1	3pos. MCON 1.2 - Seal	MVQ	NATURE	4	
				1	3pos. MCON 1.2 - Retainer	PA66-GF15	VIOLETT SIML. RAL 4006	3	
				1	3pos. MCON 1.2 - Protection Cover	PA6-GF15	BLACK SIML. RAL 9011	2	
				1	3pos. MCON 1.2 - Recepticle Hsg.	PA66-GF30	NATURE	1	
1-1718644-1	A	3pos. MCON 1.2 - LL Connector Sealed	F	1	MCON 1.2 - CPA	PA46-GF15	GRAY SIML. RAL 7037	5	I
				1	3pos. MCON 1.2 - Seal	MVQ	NATURE	4	
				1	3pos. MCON 1.2 - Retainer	PA66-GF15	VIOLETT SIML. RAL 4006	3	
				1	3pos. MCON 1.2 - Protection Cover	PA6-GF15	BLACK SIML. RAL 9011	2	
				1	3pos. MCON 1.2 - Recepticle Hsg.	PA66-GF30	BLACK SIML. RAL 9011	1	

RETAINER IN END POSITION



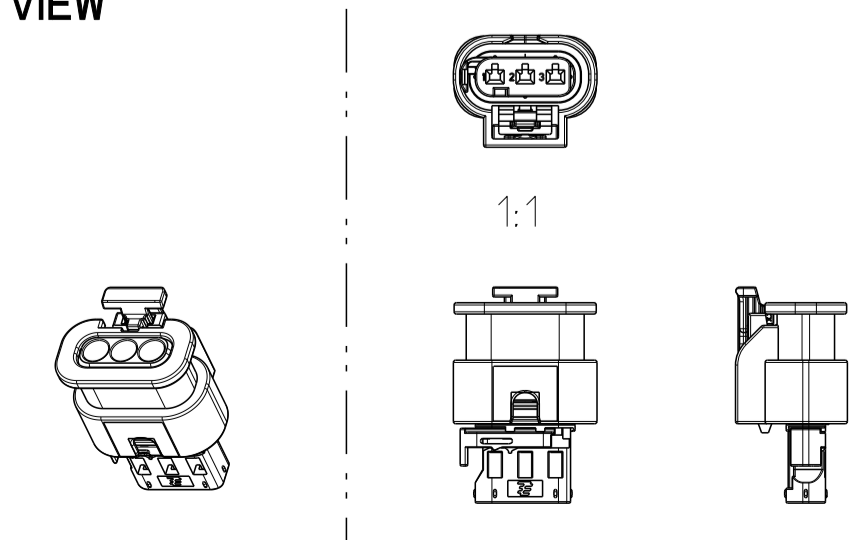
A-A
3:1

CPA IN END POSITION



B-B
3:1

3D VIEW
1:1



THIS DRAWING IS A CONTROLLED DOCUMENT. DATE: 13JAN2005. DRAWING NO: 1718644. SHEET: 1 OF 1.		OWN: L. Abbate. DATE: 18OCT2004. CHK: A. Schroevel. NAME: 3pos. MCON 1.2 - LL Connector, Sealed.	
DIMENSIONS: MASSNÄHMEN (MM):		TOLERANCES: UNLESS OTHERWISE SPECIFIED: ALGEMEINER TOLERANZ:	
1	±0.1	1	±0.1
2	±0.05	2	±0.05
3	±0.05	3	±0.05
4	±0.05	4	±0.05
5	±0.05	5	±0.05
6	±0.05	6	±0.05
7	±0.05	7	±0.05
8	±0.05	8	±0.05
9	±0.05	9	±0.05
10	±0.05	10	±0.05
11	±0.05	11	±0.05
12	±0.05	12	±0.05
13	±0.05	13	±0.05
14	±0.05	14	±0.05
15	±0.05	15	±0.05
MATERIAL: -		FINISH/BELEGUNG/FARB: -	
WEIGHT: 3 g		REVISIONS: -	
CUSTOMER DRAWING		/KUNDENZEICHNUNG	
SCALE: 11:1		SHEET: 1 OF 1	
DRAWING NO: 1718644		SHEET: 1 OF 1	
CAGE CODE: 00779		SHEET: 1 OF 1	
DATE: 13JAN2005		SHEET: 1 OF 1	
DRAWING NO: 1718644		SHEET: 1 OF 1	
CAGE CODE: 00779		SHEET: 1 OF 1	
DATE: 13JAN2005		SHEET: 1 OF 1	
DRAWING NO: 1718644		SHEET: 1 OF 1	
CAGE CODE: 00779		SHEET: 1 OF 1	
DATE: 13JAN2005		SHEET: 1 OF 1	
DRAWING NO: 1718644		SHEET: 1 OF 1	
CAGE CODE: 00779		SHEET: 1 OF 1	
DATE: 13JAN2005		SHEET: 1 OF 1	
DRAWING NO: 1718644		SHEET: 1 OF 1	
CAGE CODE: 00779		SHEET: 1 OF 1	
DATE: 13JAN2005		SHEET: 1 OF 1	
DRAWING NO: 1718644		SHEET: 1 OF 1	
CAGE CODE: 00779		SHEET: 1 OF 1	
DATE: 13JAN2005		SHEET: 1 OF 1	
DRAWING NO: 1718644		SHEET: 1 OF 1	
CAGE CODE: 00779		SHEET: 1 OF 1	
DATE: 13JAN2005		SHEET: 1 OF 1	
DRAWING NO: 1718644		SHEET: 1 OF 1	
CAGE CODE: 00779		SHEET: 1 OF 1	
DATE: 13JAN2005		SHEET: 1 OF 1	
DRAWING NO: 1718644		SHEET: 1 OF 1	
CAGE CODE: 00779		SHEET: 1 OF 1	
DATE: 13JAN2005		SHEET: 1 OF 1	
DRAWING NO: 1718644		SHEET: 1 OF 1	
CAGE CODE: 00779		SHEET: 1 OF 1	
DATE: 13JAN2005		SHEET: 1 OF 1	
DRAWING NO: 1718644		SHEET: 1 OF 1	
CAGE CODE: 00779		SHEET: 1 OF 1	
DATE: 13JAN2005		SHEET: 1 OF 1	
DRAWING NO: 1718644		SHEET: 1 OF 1	
CAGE CODE: 00779		SHEET: 1 OF 1	
DATE: 13JAN2005		SHEET: 1 OF 1	
DRAWING NO: 1718644		SHEET: 1 OF 1	
CAGE CODE: 00779		SHEET: 1 OF 1	
DATE: 13JAN2005		SHEET: 1 OF 1	
DRAWING NO: 1718644		SHEET: 1 OF 1	
CAGE CODE: 00779		SHEET: 1 OF 1	
DATE: 13JAN2005		SHEET: 1 OF 1	
DRAWING NO: 1718644		SHEET: 1 OF 1	
CAGE CODE: 00779		SHEET: 1 OF 1	
DATE: 13JAN2005		SHEET: 1 OF 1	
DRAWING NO: 1718644		SHEET: 1 OF 1	
CAGE CODE: 00779		SHEET: 1 OF 1	
DATE: 13JAN2005		SHEET: 1 OF 1	
DRAWING NO: 1718644		SHEET: 1 OF 1	
CAGE CODE: 00779		SHEET: 1 OF 1	
DATE: 13JAN2005		SHEET: 1 OF 1	
DRAWING NO: 1718644		SHEET: 1 OF 1	
CAGE CODE: 00779		SHEET: 1 OF 1	
DATE: 13JAN2005		SHEET: 1 OF 1	
DRAWING NO: 1718644		SHEET: 1 OF 1	
CAGE CODE: 00779		SHEET: 1 OF 1	
DATE: 13JAN2005		SHEET: 1 OF 1	
DRAWING NO: 1718644		SHEET: 1 OF 1	
CAGE CODE: 00779		SHEET: 1 OF 1	
DATE: 13JAN2005		SHEET: 1 OF 1	
DRAWING NO: 1718644		SHEET: 1 OF 1	
CAGE CODE: 00779		SHEET: 1 OF 1	
DATE: 13JAN2005		SHEET: 1 OF 1	
DRAWING NO: 1718644		SHEET: 1 OF 1	
CAGE CODE: 00779		SHEET: 1 OF 1	
DATE: 13JAN2005		SHEET: 1 OF 1	
DRAWING NO: 1718644		SHEET: 1 OF 1	
CAGE CODE: 00779		SHEET: 1 OF 1	
DATE: 13JAN2005		SHEET: 1 OF 1	
DRAWING NO: 1718644		SHEET: 1 OF 1	
CAGE CODE: 00779		SHEET: 1 OF 1	
DATE: 13JAN2005		SHEET: 1 OF 1	
DRAWING NO: 1718644		SHEET: 1 OF 1	
CAGE CODE: 00779		SHEET: 1 OF 1	
DATE: 13JAN2005		SHEET: 1 OF 1	
DRAWING NO: 1718644		SHEET: 1 OF 1	
CAGE CODE: 00779		SHEET: 1 OF 1	
DATE: 13JAN2005		SHEET: 1 OF 1	
DRAWING NO: 1718644		SHEET: 1 OF 1	
CAGE CODE: 00779		SHEET: 1 OF 1	
DATE: 13JAN2005		SHEET: 1 OF 1	
DRAWING NO: 1718644		SHEET: 1 OF 1	
CAGE CODE: 00779		SHEET: 1 OF 1	
DATE: 13JAN2005		SHEET: 1 OF 1	
DRAWING NO: 1718644		SHEET: 1 OF 1	
CAGE CODE: 00779		SHEET: 1 OF 1	
DATE: 13JAN2005		SHEET: 1 OF 1	
DRAWING NO: 1718644		SHEET: 1 OF 1	
CAGE CODE: 00779		SHEET: 1 OF 1	
DATE: 13JAN2005		SHEET: 1 OF 1	
DRAWING NO: 1718644		SHEET: 1 OF 1	
CAGE CODE: 00779		SHEET: 1 OF 1	
DATE: 13JAN2005		SHEET: 1 OF 1	
DRAWING NO: 1718644		SHEET: 1 OF 1	
CAGE CODE: 00779		SHEET: 1 OF 1	
DATE: 13JAN2005		SHEET: 1 OF 1	
DRAWING NO: 1718644		SHEET: 1 OF 1	
CAGE CODE: 00779		SHEET: 1 OF 1	
DATE: 13JAN2005		SHEET: 1 OF 1	
DRAWING NO: 1718644		SHEET: 1 OF 1	
CAGE CODE: 00779		SHEET: 1 OF 1	
DATE: 13JAN2005		SHEET: 1 OF 1	
DRAWING NO: 1718644		SHEET: 1 OF 1	
CAGE CODE: 00779		SHEET: 1 OF 1	
DATE: 13JAN2005		SHEET: 1 OF 1	
DRAWING NO: 1718644		SHEET: 1 OF 1	
CAGE CODE: 00779		SHEET: 1 OF 1	
DATE: 13JAN2005		SHEET: 1 OF 1	
DRAWING NO: 1718644		SHEET: 1 OF 1	
CAGE CODE: 00779		SHEET: 1 OF 1	
DATE: 13JAN2005		SHEET: 1 OF 1	
DRAWING NO: 1718644		SHEET: 1 OF 1	
CAGE CODE: 00779		SHEET: 1 OF 1	
DATE: 13JAN2005		SHEET: 1 OF 1	
DRAWING NO: 1718644		SHEET: 1 OF 1	
CAGE CODE: 00779		SHEET: 1 OF 1	
DATE: 13JAN2005		SHEET: 1 OF 1	
DRAWING NO: 1718644		SHEET: 1 OF 1	
CAGE CODE: 00779		SHEET: 1 OF 1	
DATE: 13JAN2005		SHEET: 1 OF 1	
DRAWING NO: 1718644		SHEET: 1 OF 1	
CAGE CODE: 00779		SHEET: 1 OF 1	
DATE: 13JAN2005		SHEET: 1 OF 1	
DRAWING NO: 1718644		SHEET: 1 OF 1	
CAGE CODE: 00779		SHEET: 1 OF 1	
DATE: 13JAN2005		SHEET: 1 OF 1	
DRAWING NO: 1718644		SHEET: 1 OF 1	
CAGE CODE: 00779		SHEET: 1 OF 1	
DATE: 13JAN2005		SHEET: 1 OF 1	
DRAWING NO: 1718644		SHEET: 1 OF 1	
CAGE CODE: 00779		SHEET: 1 OF 1	
DATE: 13JAN2005		SHEET: 1 OF 1	
DRAWING NO: 1718644		SHEET: 1 OF 1	
CAGE CODE: 00779		SHEET: 1 OF 1	
DATE: 13JAN2005		SHEET: 1 OF 1	
DRAWING NO: 1718644		SHEET: 1 OF 1	
CAGE CODE: 00779		SHEET: 1 OF 1	
DATE: 13JAN2005		SHEET: 1 OF 1	
DRAWING NO: 1718644		SHEET: 1 OF 1	
CAGE CODE: 00779		SHEET: 1 OF 1	
DATE: 13JAN2005		SHEET: 1 OF 1	
DRAWING NO: 1718644		SHEET: 1 OF 1	
CAGE CODE: 00779		SHEET: 1 OF 1	
DATE: 13JAN2005		SHEET: 1 OF 1	
DRAWING NO: 1718644		SHEET: 1 OF 1	
CAGE CODE: 00779		SHEET: 1 OF 1	
DATE: 13JAN2005		SHEET: 1 OF 1	
DRAWING NO: 1718644		SHEET: 1 OF 1	
CAGE CODE: 00779		SHEET: 1 OF 1	
DATE: 13JAN2005		SHEET: 1 OF 1	
DRAWING NO: 1718644		SHEET: 1 OF 1	
CAGE CODE: 00779		SHEET: 1 OF 1	
DATE: 13JAN2005		SHEET: 1 OF 1	
DRAWING NO: 1718644		SHEET: 1 OF 1	
CAGE CODE: 00779		SHEET: 1 OF 1	
DATE: 13JAN2005		SHEET: 1 OF 1	
DRAWING NO: 1718644		SHEET: 1 OF 1	
CAGE CODE: 00779		SHEET: 1 OF 1	
DATE: 13JAN2005		SHEET: 1 OF 1	
DRAWING NO: 1718644		SHEET: 1 OF 1	
CAGE CODE: 00779		SHEET: 1 OF 1	
DATE: 13JAN2005		SHEET: 1 OF 1	
DRAWING NO: 1718644		SHEET: 1 OF 1	
CAGE CODE: 00779		SHEET: 1 OF 1	
DATE: 13JAN2005		SHEET: 1 OF 1	
DRAWING NO: 1718644		SHEET: 1 OF 1	
CAGE			