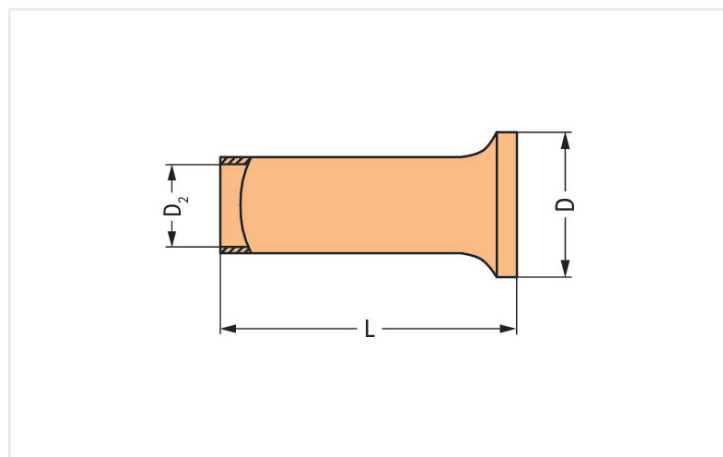


<https://www.wago.com/216-103>



Dimensions in mm

#### Technical data

Main product function	Ferrule
Sleeve cross-section (AWG)	18 AWG
Sleeve for	1 mm <sup>2</sup>

#### Connection data

Strip length	8 mm / 0.31 inches
--------------	--------------------

#### Physical data

Length	8 mm
Diameter	2.5 mm
Diameter 2	1.4 mm

#### Material data

Fire load	0 MJ
Weight	0.1 g

#### Commercial data

Product Group	2 (Terminal Block Accessories)
eCl@ss 10.0	27-40-02-01
eCl@ss 9.0	27-40-02-01
ETIM 8.0	EC000005
ETIM 7.0	EC000005
PU (SPU)	5000 (1000) Stück
Packaging type	Box
Country of origin VKOrg Germany	DE
GTIN	4017332277655
Customs tariff number VKOrg Germany	85369010000

## Downloads

### Environmental Product Compliance

#### Compliance Search

Environmental Product  
Compliance 216-103

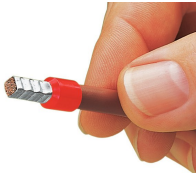


## Documentation

### Bid Text

216-103	11.09.2017	doc 24.50 KB	
216-103	19.02.2019	xml 2.77 KB	

## Installation notes



A perfect gas-tight crimp – both electrical-ly and mechanically reliable