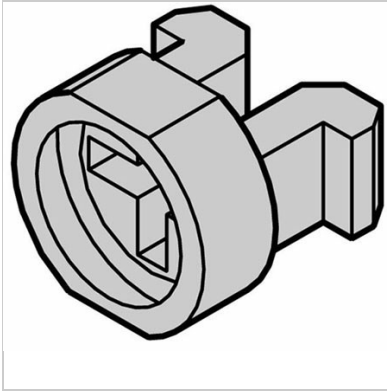


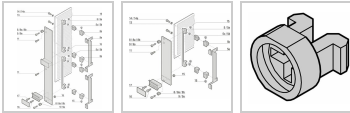


# Sleeve, plastic, grey



for unshielded front panels

Other Views



Catalog Number: 21100-464

[Back To Product](#)

- Sleeve serves to guide the collar screw when fastening the front panel
- Sleeve is inserted into the elongated hole of the front panel
- Sleeve is inserted into the elongated hole of the front panel
- Sleeve serves to guide the collar screw when fastening the front panel

Accessories:

Sleeves

Product family:

Front Panels

Description:

for form hole 5.9 x 3.3, PA, UL 94 V-2, grey

Product family:

- EuropacPRO
- Frame Type Plug-In Units
- Plug in units
- Front Panels

Note:

Metal sleeves on the partial front panels must be pressed in. not for front panel 2 HP



Select product specifications before modifying or adding to project list or requesting a quote.

[Clear Selection](#)

\* Country / Region

United States

Quantity 1

Add Item to Project List +

Links



Native CAD files

## Technical Data

Material	PA, UL 94 V-2, grey
Dimension [mm]	-
Qty	PU 100 pieces
Color	grey
Material	PA, UL 94 V-2
Item	2
Application	for unshielded front panels
Application	For mounting partial width front panels
Application	Is needed to fix collar screws
Required number at 3 U	1

## Delivery Comprises:

Item	Quantity	Description
1	100	Sleeve, PA, UL V-2, grey; for form hole 5.9 x 3.3 mm

## Accessories



Collar screw, cross recess/slotted (M2.5x11), steel nickel-plated, PU 100 pcs 21100-748

[Add Item to Project List](#) +



Collar screw, cross recess/slotted (M2.5x12.3), steel nickel plated, PU 100 pcs 21101-101

[Add Item to Project List](#) +

#### EXPLORE

[About Us](#)  
[Services & Capabilities](#)  
[News & Events](#)  
[Newsletter Subscriptions](#)  
[Strategic Partnerships](#)  
[Investor Relations](#)

#### CONTACT

[Customer Service](#)  
[Find a Sales Office or Distributor](#)  
[Global Locations](#)  
[Product Compliance & Certifications](#)  
[Partner Login](#)

#### DOWNLOAD

[Download Center](#)  
[Reference Projects](#)  
[Videos](#)  
[Product Configurators](#)  
[Warranties and Terms of Sale & Procurement](#)

© 2020 nVent. All rights reserved | [Privacy Policy](#) | [Terms of Use](#) | [Cookie Policy](#) | [Imprint](#) | [Site Map](#)

#### Connect With Us

