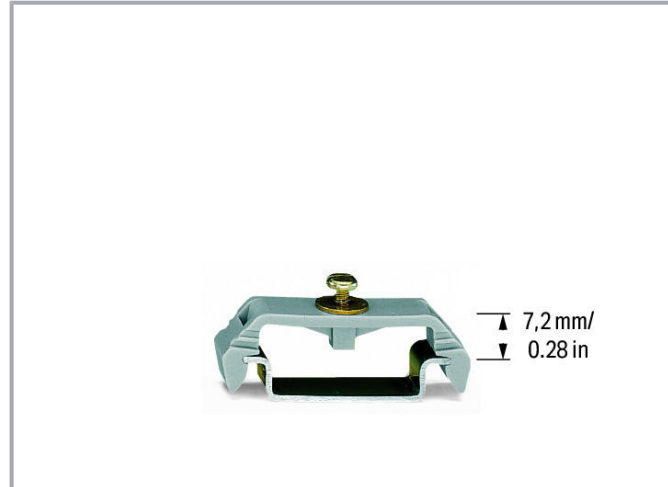
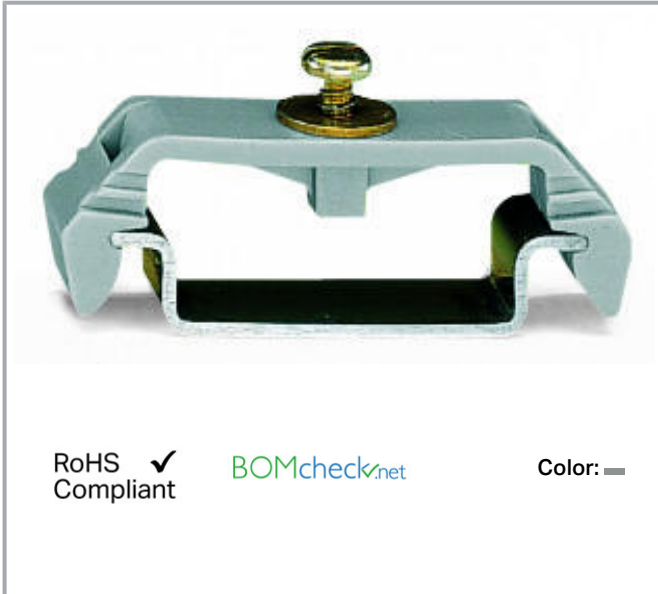


Data sheet | Item number: 209-106

Mounting carrier; for isolated mounting on DIN 35 rails; gray

www.wago.com/209-106



Data

Technical data

Main product function	Mounting Accessories
Mounting type	DIN-35 rail

Physical data

Height	7.2 mm / 0.283 inch
Depth	7.2 mm / 0.283 inch

Material data

Color	gray
Weight	3.8 g

Commercial data

Product Group	2 (Terminal Block Accessories)
Packaging type	BOX

Subject to changes. Please also observe the further product documentation!

WAGO Kontakttechnik GmbH & Co. KG
Hansastr. 27
32423 Minden
Phone: +49571 887-0 | Fax: +49571 887-169
Email: info.de@wago.com | Web: www.wago.com

Do you have any questions about our products?
We are always happy to take your call at +49 (571) 887-44222.



Country of origin	DE
GTIN	4017332277150
Customs tariff number	39269097900

Downloads

Documentation

Bid Text

209-106 X81 - Datei	2019 Feb 19	xml 2.6 kB	Download
209-106 doc - Datei	2017 Aug 31	doc 24.1 kB	Download

CAD/CAE-Data

CAD data

2D/3D Models 209-106	URL	Download
----------------------	-----	----------

CAE data

WSCAD Universe 209-106	URL	Download
ZUKEN Portal 209-106	URL	Download

Environmental Product Compliance

Compliance Search

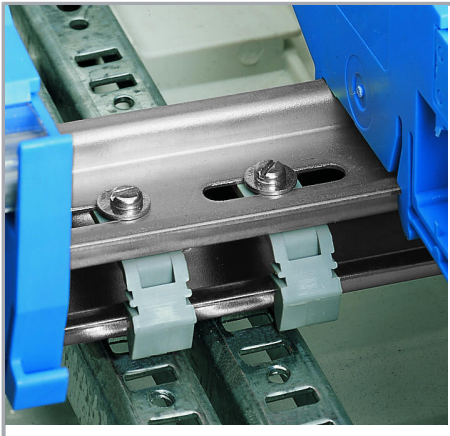
Environmental Product Compliance 209-106 Mounting carrier; for isolated mounting on DIN 35 rails; gray	URL	Download
---	-----	----------

Installation Notes

Subject to changes. Please also observe the further product documentation!

WAGO Kontakttechnik GmbH & Co. KG
Hansastr. 27
32423 Minden
Phone: +49571 887-0 | Fax: +49571 887-169
Email: info.de@wago.com | Web: www.wago.com

Do you have any questions about our products?
We are always happy to take your call at +49 (571) 887-44222.



Isolated mounting of a DIN-rail in a distribution box for protection class II

Subject to changes. Please also observe the further product documentation!