

**SCHROFF**

Project - 0 item(s)

MY PROJECT LIST

PRODUCTS

APPLICATIONS

INDUSTRIES

NEW PRODUCTS

CONFIGURATORS

Products ▾

Search



Home > Handle, static, trapeziform, plastic, black



Handle, static, trapeziform, plastic, black

SCHROFF**Catalog Number: 20808-083**[Back To Product](#)

- With separate identification plate
- Handles laterally closed
- Identification plate: Al, 1.5 mm
- Anodised, cut edges plain
- Handle: PPE, UL 94 V-1
- Please order clip separately
- Required quantity: 1 handle for 3 U, 2 handles for 6 U

Note:

Cannot be used together with fixing clip (21101-239)

Specification:

IEC 60297-3-101

Handle:

Trapezoid, Static

Type:

Individual Components

Standard:

VME

Individual Component Type:

Handle

Standard pack quantity (SPQ):

Please take into consideration that deliveries may be carried out in the stated SPQs (SPQ, e.g. 5 pieces, 10 pieces, 50 pieces, etc.). Differing order quantities (e.g. 2 pieces) may be changed to the next possible delivery quantity = Standard Pack Quantity.

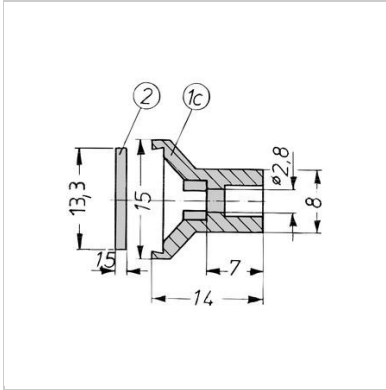
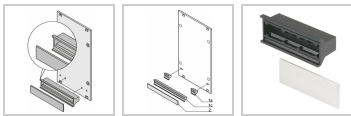


Illustration shows handle, 8 HP, black

Other Views



Select product specifications before modifying or adding to project list or requesting a quote.

Width-HP-defining

8

[Clear Selection](#)Quantity [Modify Product ▶](#)[Add Item to Project List +](#)**Documents**

Main Catalog - Plug-in units

Links

Native CAD files

Technical Data

Width mm	39.2
Qty	1 piece (SPQ 5)
Delivery is exclusively made in Standard Pack Quantity (SPQ)	5
Material	Plastic Lever, UL 94, V-1
Finish	Black
Width HP	8

EXPLORE

[About Us](#)
[Services & Capabilities](#)
[News & Events](#)
[Newsletter Subscriptions](#)
[Strategic Partnerships](#)
[Investor Relations](#)

CONTACT

[Customer Service](#)
[Find a Sales Office or Distributor](#)
[Global Locations](#)
[Product Compliance & Certifications](#)
[Partner Login](#)

DOWNLOAD

[Download Center](#)
[Reference Projects](#)
[Videos](#)
[Product Configurators](#)
[Warranties and Terms of Sale & Procurement](#)

© 2018 nVent. All rights reserved | [Privacy Policy](#) | [Terms of Use](#) | [Cookie Policy](#) | [Imprint](#) | [Site Map](#)

Connect With Us