

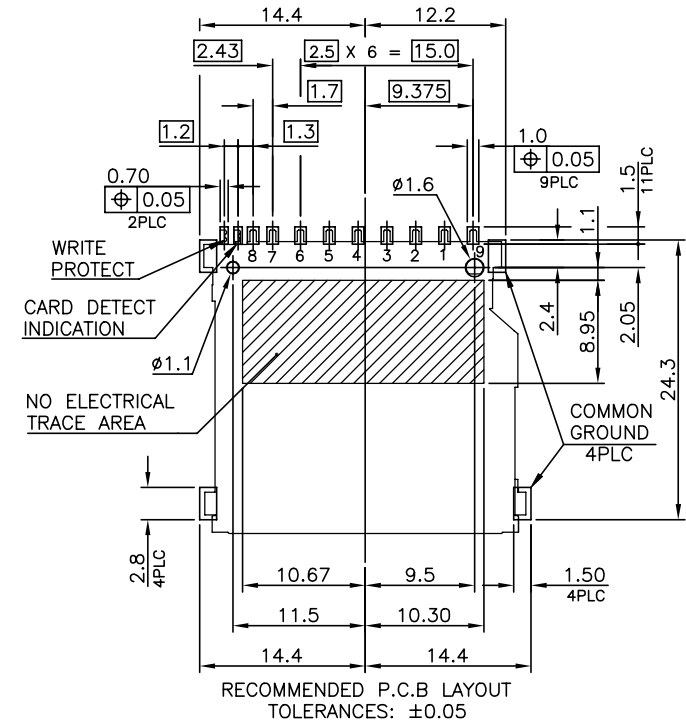
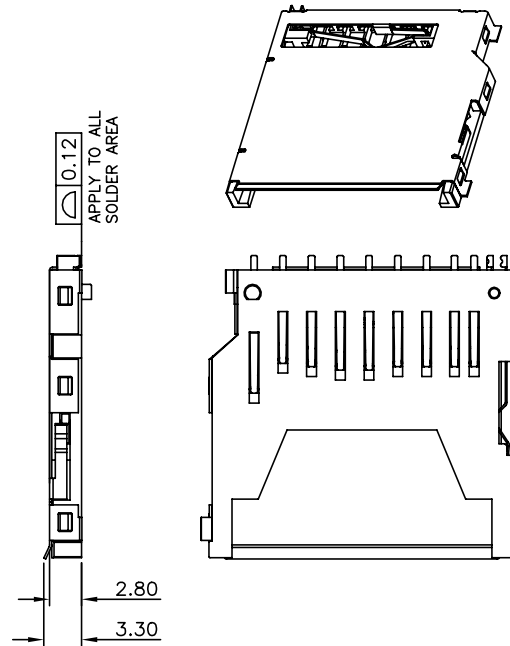
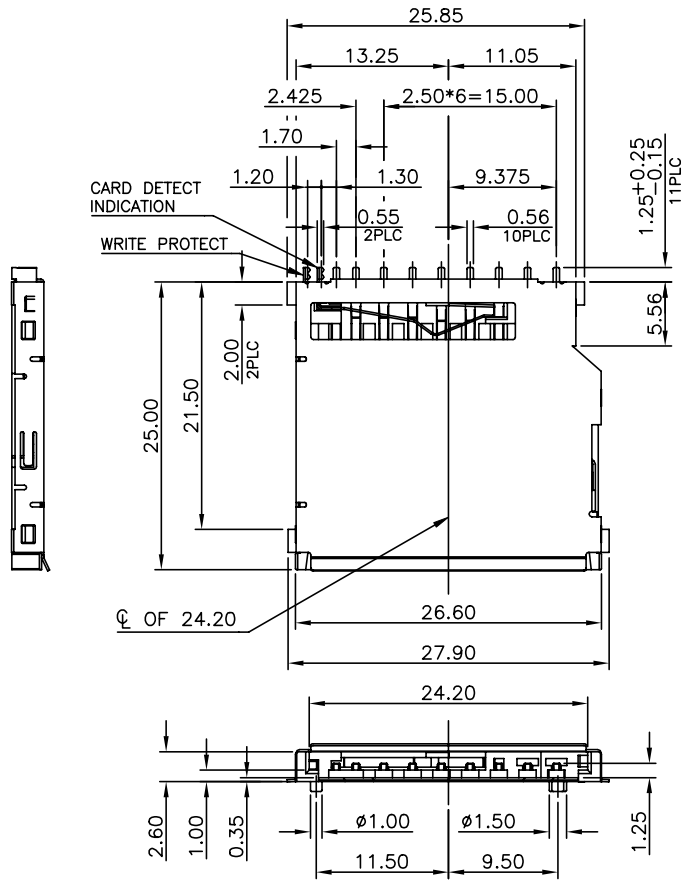
THIS DRAWING IS UNPUBLISHED.

RELEASED FOR PUBLICATION

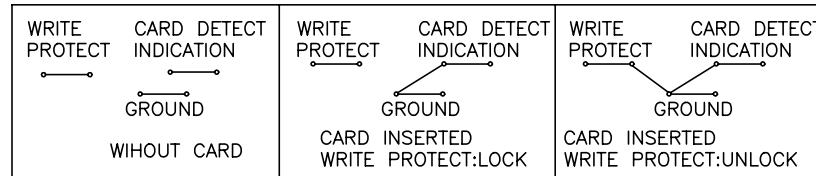
LOC DW DIST

REVISIONS

P	LTR	DESCRIPTION	DATE	DWN	APVD
C		REVISED (ECR-19-015121)	20MAR'20	R.M	S.H



CIRCUIT:



1 .MATERIAL:

- 1.1 HOUSING: THERMOPLASTIC WITH 30% GF, UL94 V-0, COLOR: NATURAL.
- 1.3 CONTACTS: PHOSPHOR BRONZE. THICKNESS=0.15mm
- 1.4 SHIELD: STEEL ALLOY. THICKNESS=0.2mm

2 .FINISH:

- 2.1 CONTACT: 0.762um [30u"] MIN GOLD PLATED ON CONTACT AREA. 2.032um [80u"] MIN MATTE TIN PLATED ON SOLDER TAILS. 1.27um [50u"] MIN NICKEL UNDERPLATE OVERALL.
- 2.2 SHIELD: GOLD FLASH ON SOLDERING AREA. 0.762um [30u"] MIN NICKEL UNDERPLAED OVERALL.

3 .FINISH:

- 3.1 CONTACT: 0.254um [10u"] MIN GOLD PLATED ON CONTACT AREA. 2.032um [80u"] MIN MATTE TIN PLATED ON SOLDER TAILS. 1.27um [50u"] MIN NICKEL UNDERPLATE OVERALL.
- 3.2 SHIELD: GOLD FLASH ON SOLDERING AREA. 0.762um [30u"] MIN NICKEL UNDERPLAED OVERALL.

4. SWITCH: NORMALLY OPEN.

5. REFLOW SOLDER CAPABLE TO 260°C PER TE CONNECTIVITY SPEC 109-201, CONDITION B.

FINISH	PACKAGE	PART NUMBER
	REEL	2041021-4
	TRAY	2041021-3
OBSOLETE	REEL	2041021-2
OBSOLETE	TRAY	2041021-1

THIS DRAWING IS A CONTROLLED DOCUMENT.

DWN B. MCMMASTER 25FEB2008	TE Connectivity
CHK D. GORENC 25FEB2008	
APVD D. GORENC 25FEB2008	NAME
PRODUCT SPEC 108-2377	SECURE DIGITAL CARD CONNECTOR TOP MOUNT, SMT TYPE, H=2.80mm
APPLICATION SPEC	SIZE CAGE CODE DRAWING NO RESTRICTED TO
WEIGHT 1.73 GRAMS	A3 00779 C=2041021
CUSTOMER DRAWING	SCALE SHEET 1 OF 3 REV C

4

3

2

1

THIS DRAWING IS UNPUBLISHED.

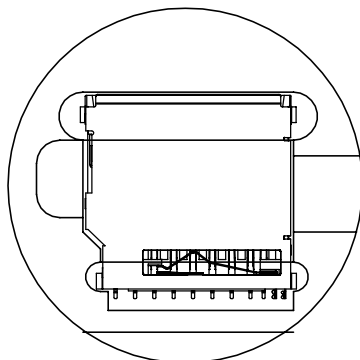
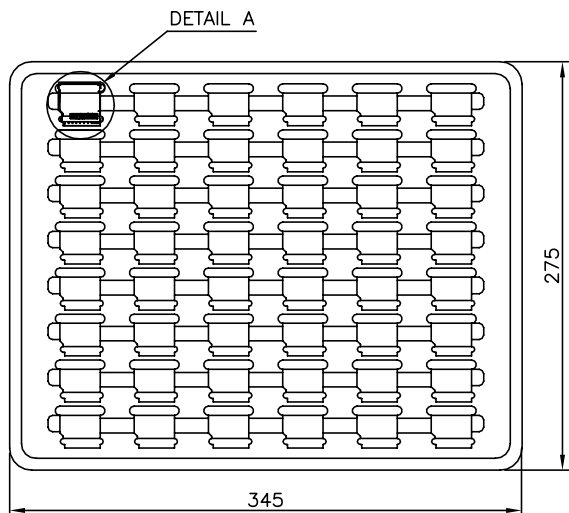
RELEASED FOR PUBLICATION

LOC
DW

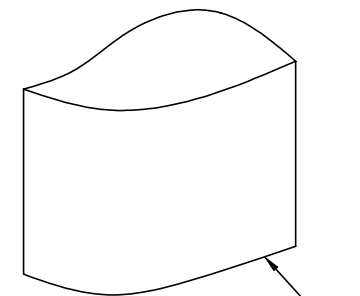
DIST

REVISIONS

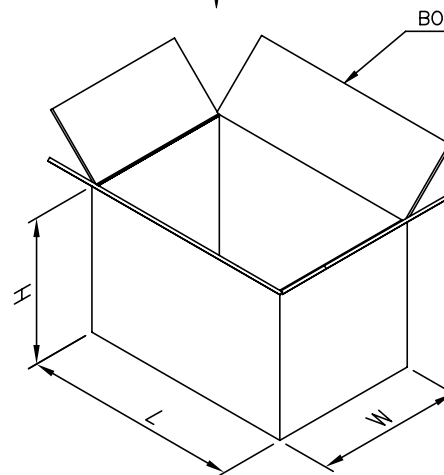
P	LTR	DESCRIPTION	DATE	DWN	APVD
		SEE SHEET 1.			



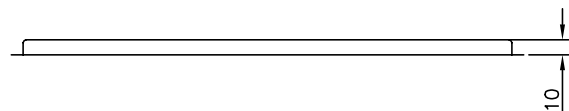
DETAIL A
SCALE 4:1
PART ORIENTATION
SHOWN FOR REFERENCE



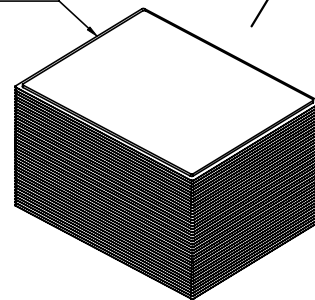
BAG



BOX



THE TOP LAYER IS EMPTY



NOTES:

- MATERIAL:
TRAY: PS.
BAG: PE
BOX: CORRUGATED FIBERBOARD
- DIMENSION:
TRAY: L=345mm, W=275mm, H=10mm
BAG: L=700mm, W=600mm, THICKNESS=0.1mm
BOX: L=355mm, W=285mm, H=195mm
- EACH BAG SHALL BE INCLUDED:
* DESICCANT
- QUANTITY: SEE TABLE
- WEIGHT: SEE TABLE

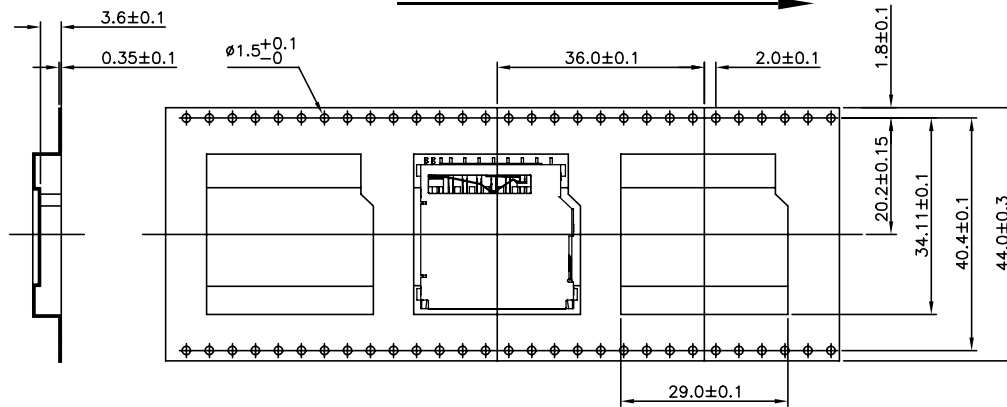
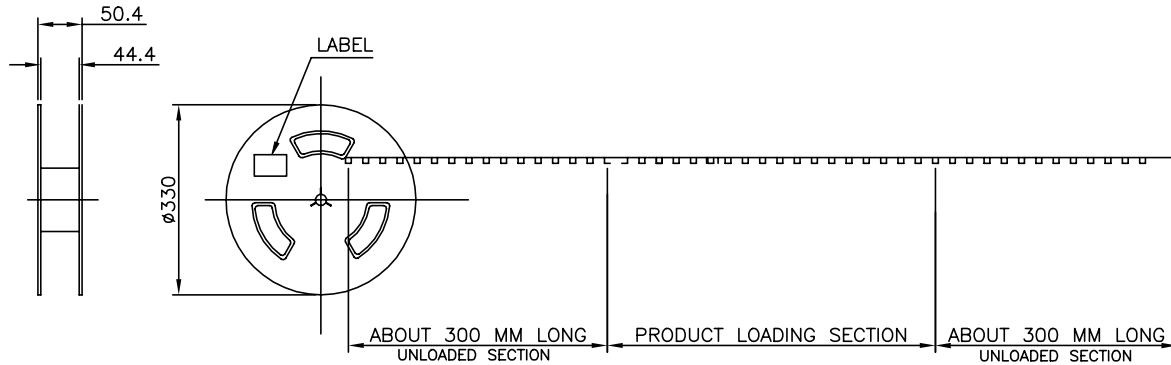
4.6 KG	2.08 KG	48	25	1200	2041021-3
					2041021-1
GROSS WEIGHT	NET WEIGHT	PCS/TRAY	TRAY/BOX	PCS/BOX	PART NUMBER

THIS DRAWING IS A CONTROLLED DOCUMENT.		DWN _____		TE Connectivity	
DIMENSIONS: mm		CHK _____			
		APVD _____		NAME _____	
TOLERANCES UNLESS OTHERWISE SPECIFIED:		PRODUCT SPEC _____		SECURE DIGITAL CARD CONNECTOR TOP MOUNT, SMT TYPE, H=2.80mm	
0 PLC ± -		APPLICATION SPEC _____		SIZE _____ CAGE CODE _____ DRAWING NO _____ RESTRICTED TO _____	
1 PLC ± 0.3		WEIGHT _____		A3 00779 C=2041021	
2 PLC ± 0.2		CUSTOMER DRAWING		SCALE _____ SHEET 2 OF 3 REV C	
3 PLC ± 0.15					
4 PLC ± -					
ANGLES ± 3'					
MATERIAL _____					
FINISH _____					

THIS DRAWING IS UNPUBLISHED.

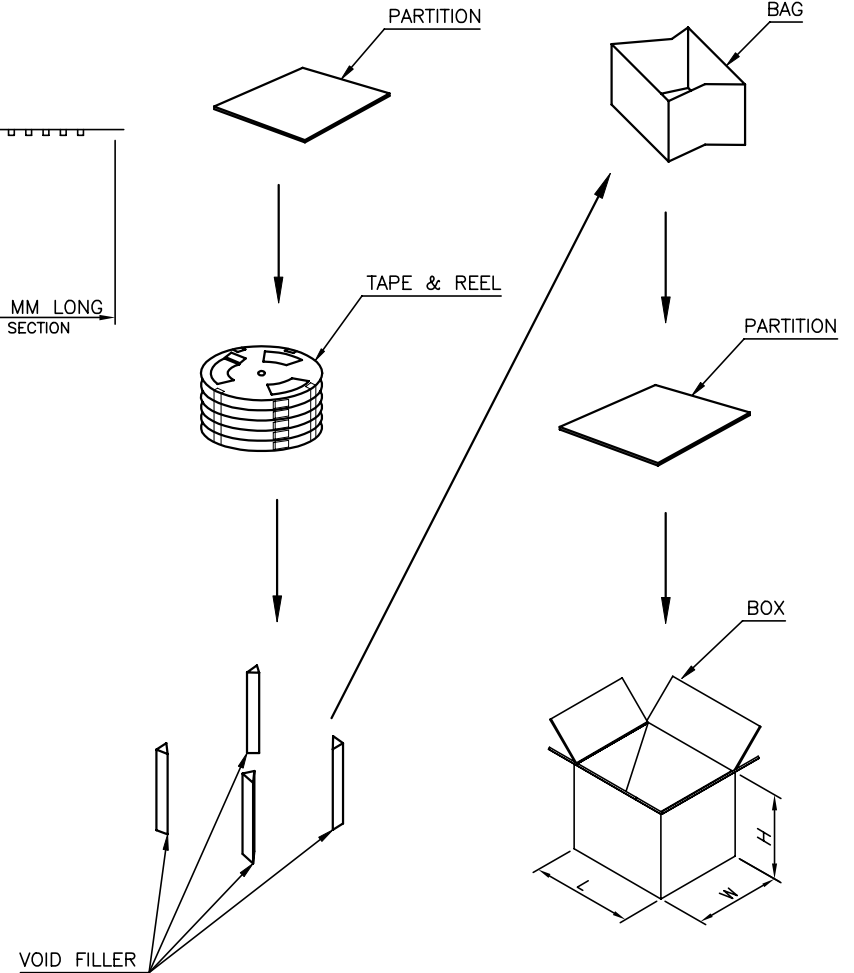
RELEASED FOR PUBLICATION

LOC	DIST	REVISIONS			
P	LTR	DESCRIPTION	DATE	DWN	APVD
DW		SEE SHEET 1.			



NOTES:

- MATERIAL:
REEL: PS
BAG: PE
BOX: CORRUGATED FIBERBOARD
- DIMENSION:
REEL: $\phi 330 \times 50.4$
BAG: L=850mm, W=600mm, THICKNESS=0.1mm
BOX: L=350mm, W=350mm, H=420mm
- EACH BAG SHALL BE INCLUDED:
* DESICCANT
- QUANTITY: SEE TABLE
- WEIGHT: SEE TABLE



8.8 KG	4.15 KG	300	8	2400	2041021-4
GROSS WEIGHT	NET WEIGHT	PCS/ REEL	REEL/ BOX	PCS/ BOX	PART NUMBER

THIS DRAWING IS A CONTROLLED DOCUMENT.

DIMENSIONS: mm	TOLERANCES UNLESS OTHERWISE SPECIFIED:	DWN	TE Connectivity		
	0 PLC ± - 1 PLC ± 0.3 2 PLC ± 0.2 3 PLC ± 0.15 4 PLC ANGLES ± 3'	CHK	NAME		
MATERIAL	FINISH	APVD	SECURE DIGITAL CARD CONNECTOR TOP MOUNT, SMT TYPE, H=2.80mm		
		PRODUCT SPEC	SIZE	CAGE CODE	DRAWING NO
		APPLICATION SPEC	A3	00779	C=2041021
		WEIGHT	CUSTOMER DRAWING		RESTRICTED TO
			SCALE	SHEET	REV
				3 OF 3	C