

PLEASE CHECK WWW.MOLEX.COM FOR LATEST PART INFORMATION

Part Number: [2004490001](#)
Status: **Active**
Overview: EdgeLock Wire-to-Edge-Card Signal System
Description: 2.00mm Pitch EdgeLock Crimp Terminal, Phosphor Bronze, Tin (Sn) Plating, Reel

Documents:

[Drawing \(PDF\)](#) [Packaging Specification 2004490001PK-000 \(PDF\)](#)
[Product Specification 2008900001PS-000 \(PDF\)](#) [RoHS Certificate of Compliance \(PDF\)](#)

General

Product Family Crimp Terminals
 Series [200449](#)
 Application Signal, Wire-to-Board
 Crimp Quality Equipment Yes
 Overview [EdgeLock Wire-to-Edge-Card Signal System](#)
 Product Name EdgeLock
 Taxonomy Crimp Terminals
 UPC 889056469395

Physical

Durability (mating cycles max) 30
 Gender N/A
 Material - Metal Phosphor Bronze
 Material - Plating Mating Tin
 Material - Plating Termination Tin
 Net Weight 47.042/mg
 Packaging Type Reel
 Plating min - Mating 1.000µm
 Plating min - Termination 1.000µm
 Termination Interface: Style Crimp or Compression
 Wire Insulation Diameter 1.10-1.40mm
 Wire Size AWG 22, 24
 Wire Size mm² N/A

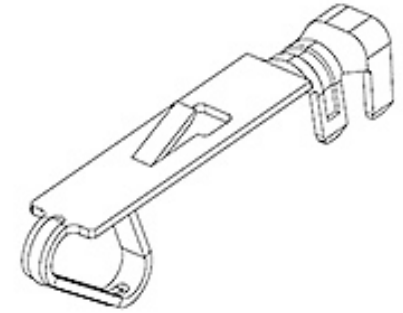
Electrical

Current - Maximum per Contact 3.0A
 Voltage - Maximum 125V

Material Info

Reference - Drawing Numbers

Crimp Specification [2004490001CS-000](#)
 Packaging Specification [2004490001PK-000](#)
 Product Specification [2008900001PS-000](#)
 Sales Drawing [2004490001-000](#)



Series image - Reference only

EU ELV

Not Relevant

EU RoHS

Compliant

REACH SVHC

Not Contained Per -
 D(2022)4187-DC (10
 June 2022)

Halogen-Free

Status

Low-Halogen

For more information, please visit [Contact US](#)

China ROHS

ELV

RoHS Phthalates

China RoHS

Green Image

Not Relevant

Not Contained

Search Parts in this Series

[200449 Series](#)

Use With

EdgeLock Edge Card Connector [200890](#)

Application Tooling | FAQ

Tooling specifications and manuals are found by selecting the products below. Crimp Height Specifications are then contained in the Application Tooling Specification document.

Global

Description	Product #
Hand Crimp Tool for EdgeLock Crimp Terminals, 24 AWG	2002182800
Hand Crimp Tool for EdgeLock Crimp Terminals, 22 AWG	2002182900
Extractor Tool for CTX64 Female Crimp Terminals	638135700
FineAdjust Applicator for EdgeLock Crimp	639039800

Terminal, 24 AWG,
UL1061 wire
FineAdjust Applicator [639039900](#)
for EdgeLock Crimp
Terminal, 24 AWG,
UL1007 wire

This document was generated on 08/26/2022

PLEASE CHECK WWW.MOLEX.COM FOR LATEST PART INFORMATION