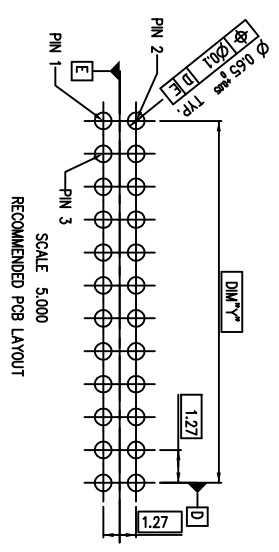
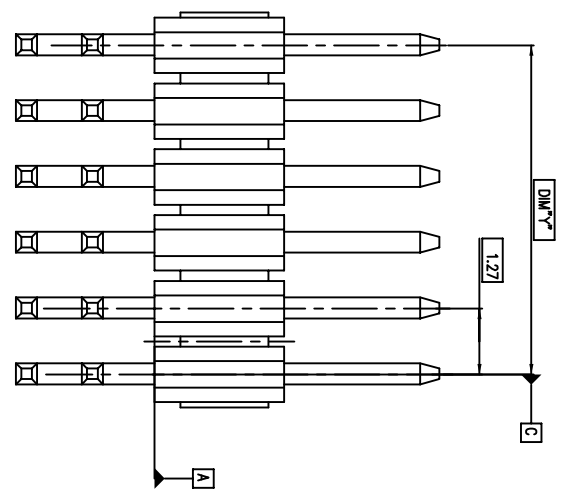
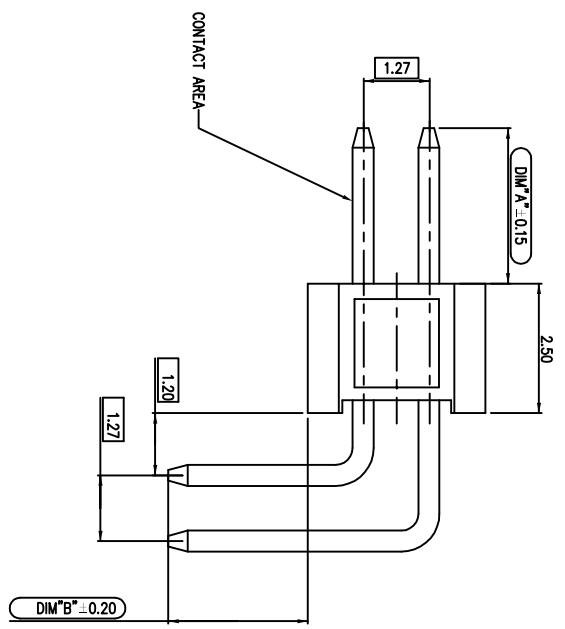
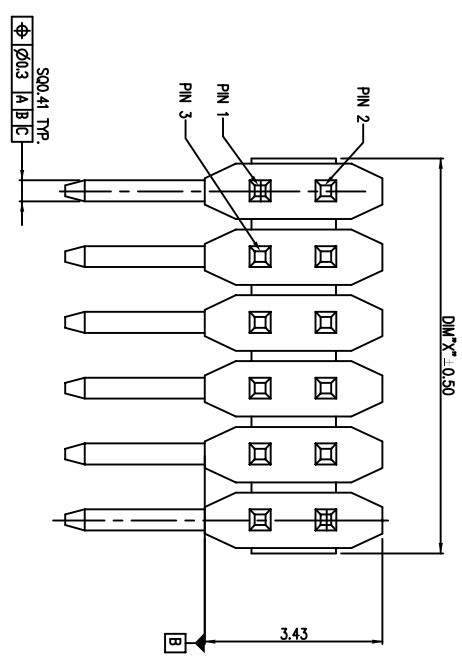


PART NO.
20021112



Copyright FCI.



Pin 1 Rev - 001 C - 2008-06-08

1

2

3

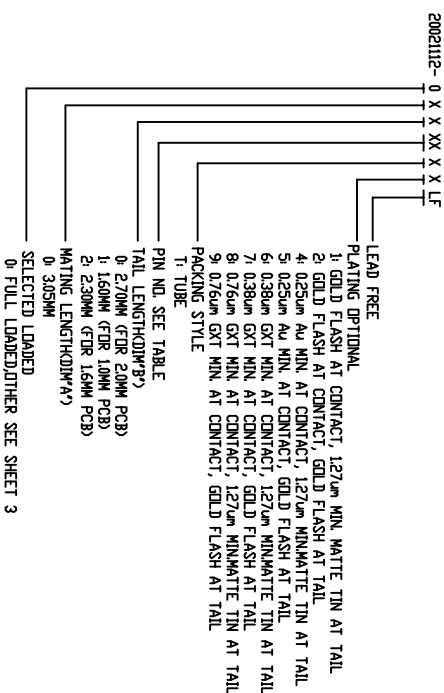
4

spec ref	tolerance std	ISO 1101	ISO 406	TOLERANCES UNLESS OTHERWISE SPECIFIED		dr	ZK HU	2012-8-1	projection	MM	size	A3	scale	10,000
surface	linear	0.XX	±0.20	0.XX	±0.10	eng	ZK HU	2012-8-1			echt no	ELX-N-14368	RELEASED	
ISO 1302	angular	0	±2°	chr	RICK BIAN	2012-8-1	rel level	REV						
www.fci.com		cat. no.		MINITEK 127 UNSHROUDED HDR		product family		Product - Customer Draw		sheet 1 of 3				

PART NO.	POS.	DIM"x"	DIM"y"
20021112-0XK6BKXLF	2 X 3	3.81	2.54
20021112-0XK6BKXLF	2 X 4	5.08	3.81
20021112-0XK10KXLF	2 X 5	6.35	5.08
20021112-0XK12KXLF	2 X 6	7.62	6.35
20021112-0XK14KXLF	2 X 7	8.89	7.62
20021112-0XK16KXLF	2 X 8	10.16	8.89
20021112-0XK18KXLF	2 X 9	11.43	10.16
20021112-0XK20KXLF	2 X 10	12.70	11.43
20021112-0XK12KXLF	2 X 11	13.97	12.70
20021112-0XK24KXLF	2 X 12	15.24	13.97
20021112-0XK26KXLF	2 X 13	16.51	15.24
20021112-0XK28KXLF	2 X 14	17.78	16.51
20021112-0XK30KXLF	2 X 15	19.05	17.78
20021112-0XK32KXLF	2 X 16	20.32	19.05
20021112-0XK34KXLF	2 X 17	21.59	20.32
20021112-0XK36KXLF	2 X 18	22.86	21.59
20021112-0XK38KXLF	2 X 19	24.13	22.86
20021112-0XK40KXLF	2 X 20	25.40	24.13
20021112-0XK42KXLF	2 X 21	26.67	25.40
20021112-0XK44KXLF	2 X 22	27.94	26.67
20021112-0XK46KXLF	2 X 23	29.21	27.94
20021112-0XK48KXLF	2 X 24	30.48	29.21
20021112-0XK50KXLF	2 X 25	31.75	30.48
20021112-0XK52KXLF	2 X 26	33.02	31.75
20021112-0XK54KXLF	2 X 27	34.29	33.02
20021112-0XK56KXLF	2 X 28	35.56	34.29
20021112-0XK58KXLF	2 X 29	36.83	35.56
20021112-0XK60KXLF	2 X 30	38.10	36.83
20021112-0XK62KXLF	2 X 31	39.37	38.10
20021112-0XK64KXLF	2 X 32	40.64	39.37
20021112-0XK66KXLF	2 X 33	41.91	40.64
20021112-0XK68KXLF	2 X 34	43.18	41.91
20021112-0XK70KXLF	2 X 35	44.45	43.18
20021112-0XK72KXLF	2 X 36	45.72	44.45
20021112-0XK74KXLF	2 X 37	46.99	45.72
20021112-0XK76KXLF	2 X 38	48.26	46.99
20021112-0XK78KXLF	2 X 39	49.53	48.26
20021112-0XK80KXLF	2 X 40	50.80	49.53
20021112-0XK82KXLF	2 X 41	52.07	50.80
20021112-0XK84KXLF	2 X 42	53.34	52.07
20021112-0XK86KXLF	2 X 43	54.61	53.34
20021112-0XK88KXLF	2 X 44	55.88	54.61
20021112-0XK90KXLF	2 X 45	57.15	55.88

PART NO.	POS.	DIM"x"	DIM"y"
20021112-0XK92KXLF	2 X 46	58.42	57.15
20021112-0XK94KXLF	2 X 47	59.69	58.42
20021112-0XK96KXLF	2 X 48	60.96	59.69
20021112-0XK98KXLF	2 X 49	62.23	60.96
20021112-0XK100KXLF	2 X 50	63.50	62.23

NOTES:
 1. MATERIAL: HIGH TEMPERATURE THERMOPLASTIC, UL94-V0 BLACK.
 2. THE HOUSING WILL WITHSTAND EXPOSURE TO 260°C PEAK TEMPERATURE FOR 10 SECONDS IN A WAVE SOLDER DR VAPOR PHASE REFLOW OVEN.
 3. THIS PRODUCT MEETS EUROPEAN UNION DIRECTIVES AND OTHER COUNTRY REGULATIONS AS DESCRIBED IN GS-22-008.
 4. PRODUCT SPEC: GS-12-629
 5. PACKAGE SPEC: GS-14-1420



Copyright FCI.



spec ref	tolerance std	ISO 1101	ISO 406	TOLERANCES UNLESS OTHERWISE SPECIFIED	linear	0.X	±0.30	0.0XX	±0.20	0.0XX	±0.10	angular	0	±2°
surface	ISO 1302	✓			linear	0.X	±0.30	0.0XX	±0.20	0.0XX	±0.10	angular	0	±2°
www.fci.com	cat. no.	RA TH	MINITEK 127 UNSHROUDED HDR	product family	projection	MM	size	A3	scale	10,000	rel level	RELEASED	rev	E
Product - Customer Draw	sheet 2 of 3	20021112												

Part No. - 001 - 2008-06-08

1

2

3

4

1

2

3

4

