



**Safety position switch, electrically adjustable, 1N/O  
+1N/C, cat .3**


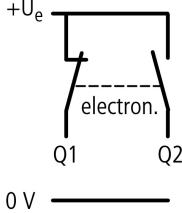
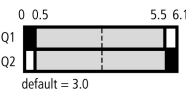
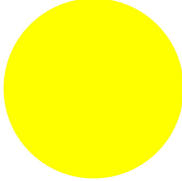


Powering Business Worldwide™

**Part no.** LSE-11  
**Article no.** 266121

**Catalog No.** LSE-11

**Delivery programme**

Basic function			Position switches Safety position switches
Part group reference			LSE
Product range			Position switch with electronically adjustable operating point
Protection type			IP66, IP67
Features			Basic device, expandable
Ambient temperature		°C	-25 - +70
Description			Visual status indication comparable with positive opening function Device goes into safe state on high interference. Can be used in safety circuits partly short-circuit proof Restart after reset Individual operating point adjustment
Approval			
Contacts			
N/O = Normally open			1 N/O
N/C = Normally closed			1 NC
Contact sequence			
Contact travel <input checked="" type="checkbox"/> = Contact closed <input type="checkbox"/> = Contact open			
Colour			
Enclosure covers			Yellow
Enclosure covers			
Housing			Insulated material
Connection type			Cage Clamp
<b>Notes</b>			Cage-Clamp is a registered trademark of Wago Kontakttechnik, 32432 Minden, Germany. Accessories for the Cage-Clamp terminals from Wago: power comb, gray, Wago Article No. 264-402

**Approvals**

Product Standards	IEC/EN 60947-5; UL 508; CSA-C22.2 No. 14; CE marking
UL File No.	E29184
UL Category Control No.	NKCR
CSA File No.	12528
CSA Class No.	3211-03

## General

Standards			IEC/EN 60947 EN 61000-4
Climatic proofing			Damp heat, constant, to IEC 60068-2-78; damp heat, cyclical, to IEC 60068-2-30
Ambient temperature		°C	-25 - +70
Mounting position			As required
Protection type			IP66, IP67
Terminal capacities		mm <sup>2</sup>	
Solid		mm <sup>2</sup>	1 x (0.5 - 2.5)
Flexible with ferrule		mm <sup>2</sup>	1 x (0.5 - 1.5)

## Power supply

Rated voltage	U <sub>e</sub>	V DC	12 - 30
Rated operational current	I <sub>e</sub>	A	
12 V	I <sub>e</sub>	A	0.015
24 V	I	mA	18
30 V	I	A	0.019

## Contacts/switching capacity

Overvoltage category/pollution degree			III/3
Rated operational current	I <sub>e</sub>	A	
DC-13			
24 V	I <sub>e</sub>	A	0.2
Repetition accuracy		mm	0.02

## Mechanical variables

Lifespan, mechanical	Operations	x 10 <sup>6</sup>	3
<b>Notes</b>			(electronic)
Contact temperature of roller head		°C	≦ 100
Mechanical shock resistance (half-sinusoidal shock, 20 ms)			
Basic unit		g	30
Operating frequency	Operations/ h		≦ 3000
Switching point			0.5 - 5.5 mm, freely adjustable
Hysteresis		mm	0.4
Contact sequence (contact closed open Zw = positive opening clearance)		mm	0.04

## Actuation

Mechanical			
Actuating force at beginning/end of stroke		N	3.5/8.0
Actuating torque of rotary drives		Nm	0.2
Max. operating speed with DIN cam		m/s	1/0.5
<b>Notes</b>			for angle of actuation α = 0°/30°

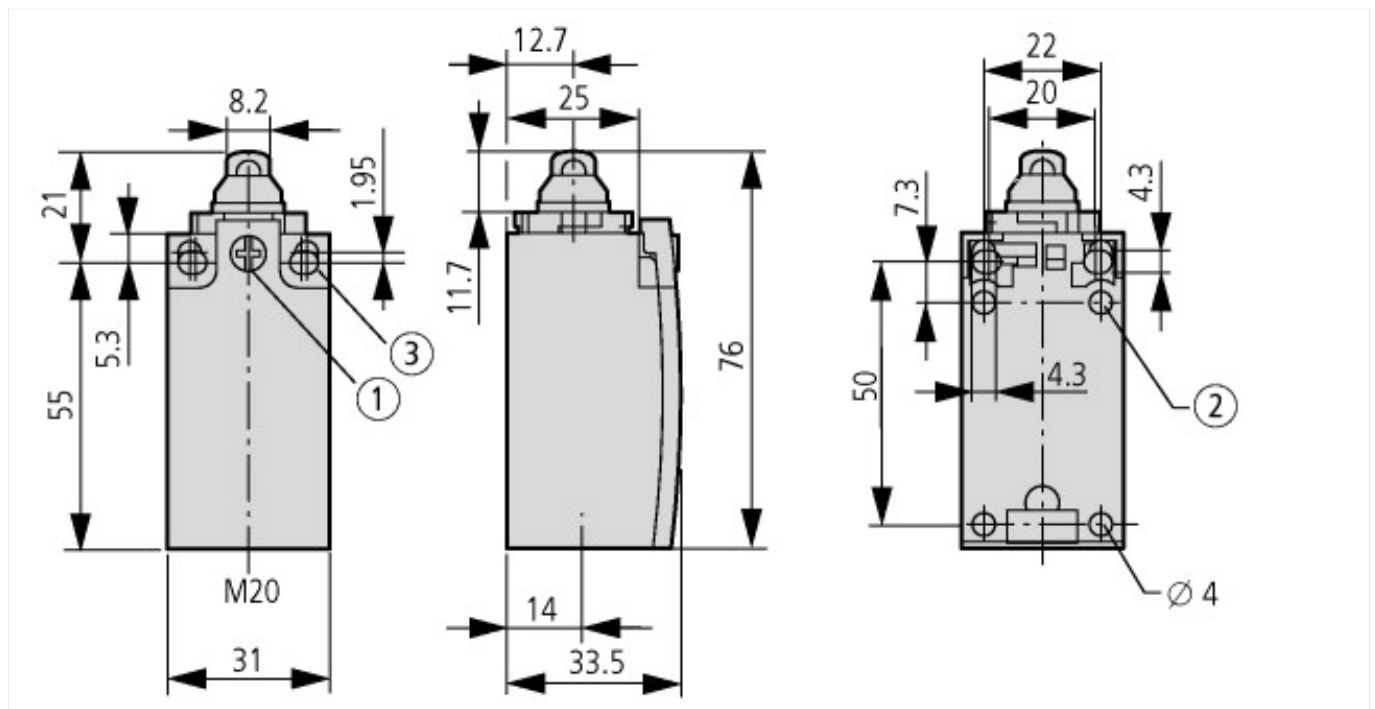
## Electromagnetic compatibility (EMC)

Electrostatic discharge (IEC/EN 61000-4-2, Level 3, ESD)		kV	
Air discharge		kV	8
Contact discharge		kV	4
Electromagnetic fields (RFI) to IEC EN 61000-4-3		V/m	10
Burst Impulse (IEC/EN 61000-4-4, Level 3)			
Supply cable		kV	2
Signal lines		kV	2
Power pulses (surge) (IEC/EN 61000-4-5)		kV	0.5
Immunity to line-conducted interference to (IEC/EN 61000-4-6)		V	10

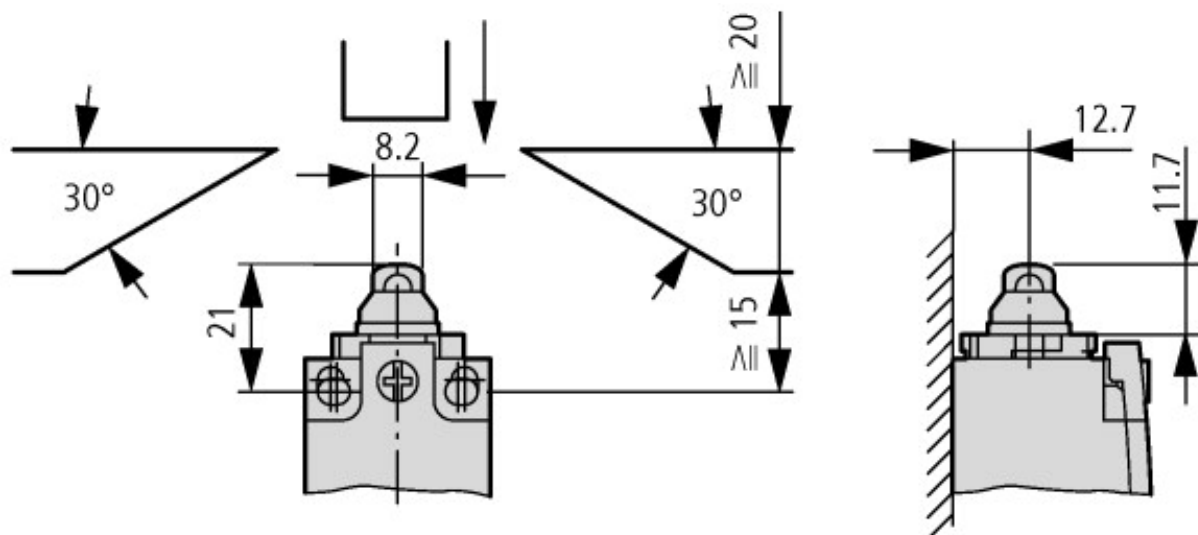
## Technical data ETIM 5.0

Width sensor	mm	31
Diameter sensor	mm	0
Height of sensor	mm	61
Length of sensor	mm	33.5
Rated operation current I <sub>e</sub> at AC-15, 24 V	A	0
Rated operation current I <sub>e</sub> at AC-15, 125 V	A	0
Rated operation current I <sub>e</sub> at AC-15, 230 V	A	0
Rated operation current I <sub>e</sub> at DC-13, 24 V	A	0.2
Rated operation current I <sub>e</sub> at DC-13, 125 V	A	0
Rated operation current I <sub>e</sub> at DC-13, 230 V	A	0
Switching function		Slow-action switch
Output electronic		Yes
Forced opening		No
Number of safety auxiliary contacts		0
Number of contacts as normally closed contact		1
Number of contacts as normally open contact		1
Number of contacts as change-over contact		0
Type of interface		None
Type of interface for safety communication		None
Housing according to norm		-
Construction type housing		Cuboid
Material housing		Plastic
Coating housing		-
Type of control element		Plunger
Alignment of the control element		-
Type of electric connection		-
With status indication		Yes
Suited for safety functions		Yes
Explosion safety category for gas		None
Explosion safety category for dust		None
Ambient temperature during operating	°C	-25 - 70
Degree of protection (IP)		IP67

## Dimensions



- ① Tightening torque of cover screws:  $0.8 \text{ Nm} \pm 0.2 \text{ Nm}$
- ② only with LS (insulated version)
- ③ Fixing screws 2 x M4  $\frac{11}{30}$   
 $M_A = 1.5 \text{ Nm}$



### Additional product information (links)

IL05208001Z (AWA1310-2349) Electronic position switch

IL05208001Z (AWA1310-2349) Electronic position switch

[ftp://ftp.moeller.net/DOCUMENTATION/AWA\\_INSTRUCTIONS/IL05208001Z2012\\_08.pdf](ftp://ftp.moeller.net/DOCUMENTATION/AWA_INSTRUCTIONS/IL05208001Z2012_08.pdf)