

Tube Liquid Sensor

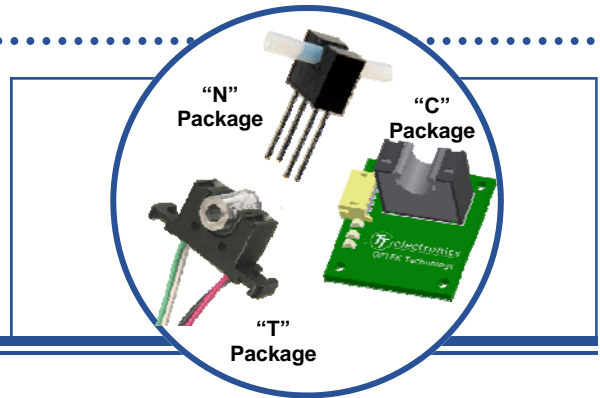
OPB350 / OCB350 Series

(Calibration Circuit Available)



Features:

- Can identify if liquid is present in clear tubes that have an outside diameter of 1/16" [1.6mm], 1/8" [3.2mm], 3/16" [4.8 mm] or 1/4" [6.3 mm]
- Opaque plastic housing enhances ambient light rejection
- Printed circuit board mounting or 24" (610 mm) 26 AWG wires



Description:

The **OPB350** series liquid sensor is designed to work with 1/16" [1.6mm] 1/8" [3.2mm], 3/16" [4.8 mm] and 1/4" [6.3 mm] outside diameter clear tubes. When output reference circuitry is added, multiple output states such as "fluid present," "no fluid present" and "no tube present" can be recognized.

Clear liquid present causes the phototransistor to sink the maximum current, while dark liquid present causes it to sink the minimum current. As bubbles pass through the tube, the signal will vary between the "liquid present" and "no liquid" states. If no tube is present, the phototransistor sinks current between the dark fluid and clear Fluid states. The customer will have to identify the typical current values for each situation. The ratio between the different states allows acknowledgement of different conditions.

The **OPB350L** series have leads that are designed to mount directly to PCBoards. The **OPB350W** series with 26 AWG wires are remote mountable. The **OCB350** series provides a full solution with automatic calibration capability and a preset trip level.

The **OCB350** series is configured to optimize the design effort needed to use a fluid sensor with the addition of self calibration circuitry. The **OCB350** series are easy to use requiring only an optical device and power supply. Four lights are provided on the board that acknowledge when the device is calibrated (**Green LED**), that the device could not be calibrated (**Red LED**) and when the analog output has reached the logical trip higher than the calibration point (**Blue LED**) or lower than the calibration point (**Green LED**). The internal phototransistor load resistance can be set for three different values (~2.5K, ~9.6K or ~27K Ohms). A Reset/Clear pin is provided for remote signaling to calibrate of the system.

The **OCB350** series comes with an OPB350L__Z, PCBoard, interface cable (OCB100-MC24) and all the necessary electronics required for sensing either transmissive or opaque fluids.

See "Theory of Operation" for detailed information.

For a custom PCBoard design for your unique challenge, contact your OPTEK representative.

Applications:

- Non-contact fluid sensing
- IV fluid
- Oils and other petroleum products
- Colored fluids
- Toner fluids
- Water



RoHS

OPTEK reserves the right to make changes at any time in order to improve design and to supply the best product possible.

COMPLETE PART NUMBERS OF OPB350 AND OCB350 SERIES

OPB350	PCB mount for 1/8" tubing
OPB350L062	PCB mount for 1/16" tubing
OPB350W062Z	Wired assembly for 1/16" tubing, with mounting tabs
OPB350L125	PCB mount for 1/8" tubing
OPB350C125Z	Wired assembly for 1/8" tubing, mounting tabs & Molex connector 50-57-9404
OPB350W125Z	Wired assembly for 1/8" tubing, with mounting tabs
OPB350L187	PCB mount for 3/16" tubing
OPB350W187Z	Wired assembly for 3/16" tubing, with mounting tabs
OPB350L250	PCB mount for 1/4" tubing
OPB350W250Z	Wired assembly for 1/4" tubing, with mounting tabs
OCB350L062Z	OPB350L062 mounted on OCB100AZ calibration circuit board, with OCB-MC24 cable
OCB350L125Z	OPB350L125 mounted on OCB100AZ calibration circuit board, with OCB-MC24 cable
OCB350L187Z	OPB350L187 mounted on OCB100AZ calibration circuit board, with OCB-MC24 cable
OCB350L250Z	OPB350L250 mounted on OCB100AZ calibration circuit board, with OCB-MC24 cable

Notes:

- (1) All parameters tested using pulse technique.
- (2) RMA flux is recommended. Duration can be extended to 10 seconds maximum when flow soldering.
- (3) Methanol or isopropanol are recommended as cleaning agents. The plastic housing is soluble in chlorinated hydrocarbons and ketones.
- (4) Derate linearly 1.33 mW/° C above 25° C.
- (5) $E_{e(APT)}$ is a measurement of the average apertured radiant energy incident upon a sensing area 0.250" (6.350 mm) in diameter, which is perpendicular to and centered to the mechanical axis of the emitting surface at a distance of 0.466" (11.837 mm).
 $E_{e(APT)}$ is not necessarily uniform within the measured area.
- (6) The on/off ratio is referenced to the I.D. as specified for a clear PVC tube with O.D. per the device dimensions. The ratio is calculated by the $I_{C(ON)}$ when the tube is filled with water divided by the $I_{C(ON)}$ with an empty tube.

OPTEK reserves the right to make changes at any time in order to improve design and to supply the best product possible.

Tube Liquid Sensor
OPB350 / OCB350 Series
(Calibration Circuit Available)



Absolute Maximum Ratings ($T_A=25^\circ\text{C}$ unless otherwise noted)

Storage Temperature	-40° C to +100° C
Operating Temperature	-40° C to +85° C
Lead Soldering Temperature [1/16 inch (1.6 mm) from the case for 5 sec. with soldering iron] ⁽²⁾	260° C

LED

Forward DC Current	50 mA
Peak Forward Current (2 μs pulse width, 0.1% duty cycle)	1 A
Reverse DC Voltage	2 V
Power Dissipation	100 mW

Output Phototransistor

Collector-Emitter Voltage	24 or 30 V
Collector DC Current	50 mA
Power Dissipation	100 mW

Electrical Characteristics ($T_A = 25^\circ\text{C}$ unless otherwise noted)

SYMBOL	PARAMETER	MIN	TYP	MAX	UNITS	TEST CONDITIONS
--------	-----------	-----	-----	-----	-------	-----------------

Input LED (See OPB245 for additional information — for reference only)

V_F	Forward Voltage	-	-	1.7	V	$I_F = 20 \text{ mA}$
I_R	Reverse Current	-	-	100	μA	$V_R = 2.0 \text{ V}$

Output Phototransistor (See OP555 [OPB350] & OP750 [-062, -125, -187 & -250] for additional information— for Ref. Only)

$V_{(BR)CEO}$	Collector-Emitter Breakdown Voltage	OPB350 -062, -187 & -250	30 24	- -	- -	V	$I_C = 100 \mu\text{A}, E_E = 0 \text{ mw/cm}^2$
I_{CEO}	Collector-Emitter Dark Current		-	-	100	nA	$V_{CE} = 10 \text{ V}, I_F = 0, E_E = 0 \text{ mw/cm}^2$

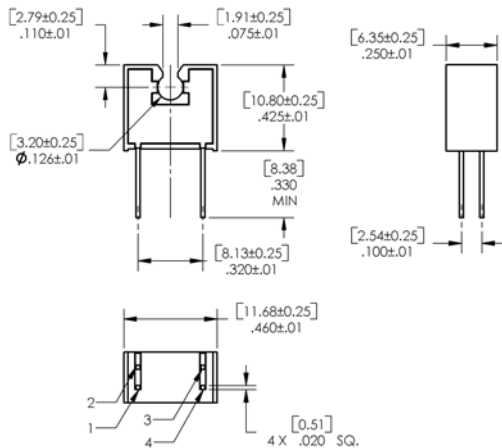
Coupled

$V_{CE(SAT)}$	Collector-Emitter Saturation Voltage	-	-	0.4	V	$I_C = 100 \mu\text{A}, I_F = 5 \text{ mA}$
$I_{C(ON)}$	On-State Collector Current				mA	$V_{CE} = 0.4 \text{ V}, I_F = 5 \text{ mA}$
	OPB350L062 & OPB350W062Z	0.30	0.8	1.3		
	OPB350	1.00	3.5	6.0		
	OPB350L125 & OPB350W125Z	1.30	2.6	3.9		
	OPB350L187 & OPB350W187Z	1.00	2.0	4.0		
	OPB350L250 & OPB350W250Z	0.75	1.5	3.0		
On/Off Ratio	OPB350L062 & OPB350W062Z	-	3.0	-	-	$V_{CE} = 0.4 \text{ V}, I_F = 5 \text{ mA}, I.D.=0.0312^{(6)}$ $V_{CE} = 0.4 \text{ V}, I_F = 5 \text{ mA}, I.D.=0.0625^{(6)}$ $V_{CE} = 0.4 \text{ V}, I_F = 5 \text{ mA}, I.D.=0.0870^{(6)}$ $V_{CE} = 0.4 \text{ V}, I_F = 5 \text{ mA}, I.D.=0.1250^{(6)}$
	OPB350	-	3.0	-		
	OPB350L125 & OPB350W125	-	2.5	-		
	OPB350L187 & OPB350W187	-	2.3	-		
	OPB350L250 & OPB350W250	-	2.3	-		

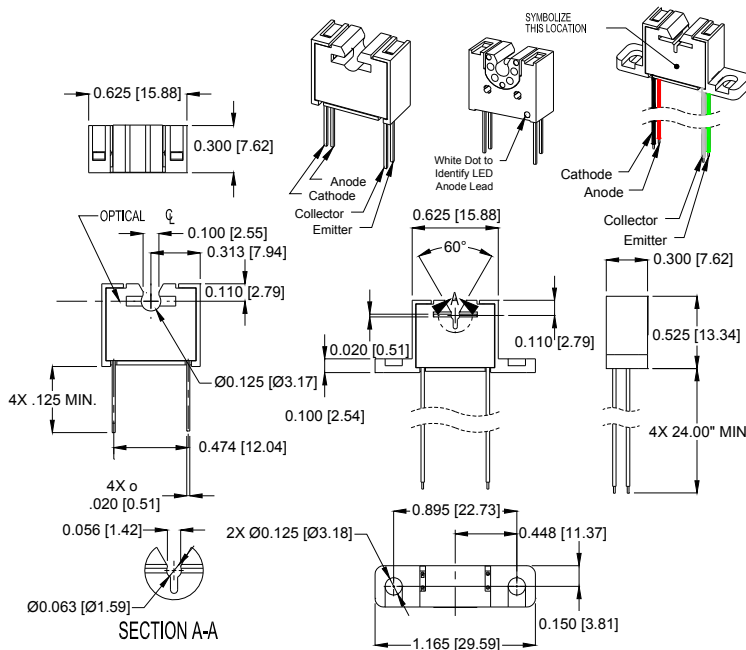
OPTEK reserves the right to make changes at any time in order to improve design and to supply the best product possible.

Tube Liquid Sensor OPB350 / OCB350 Series (Calibration Circuit Available)

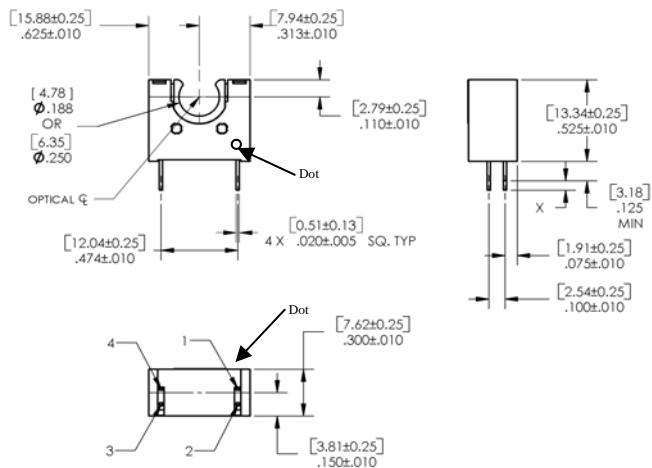
OPB350



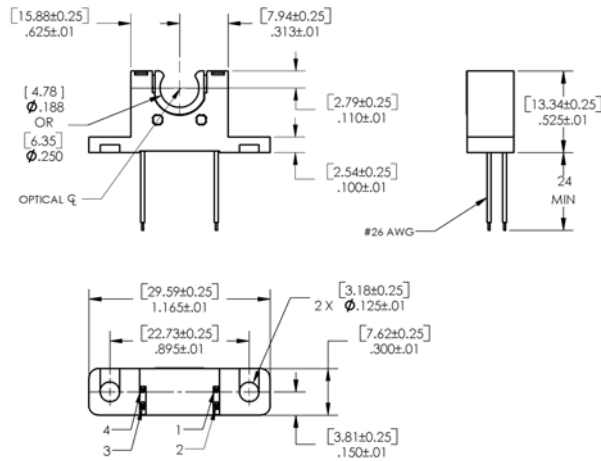
OPB350L062 & OPB350W062Z OPB350L125 & OPB350W125Z



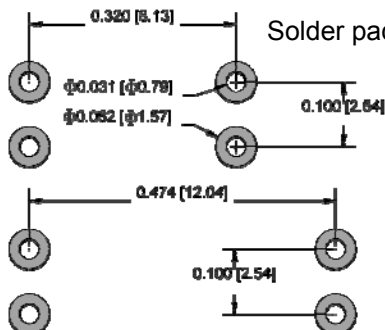
OPB350L187 and OPB350L250



OPB350W187Z and OPB350W250Z

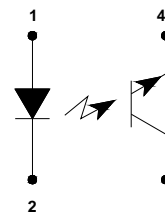


Solder pad Information



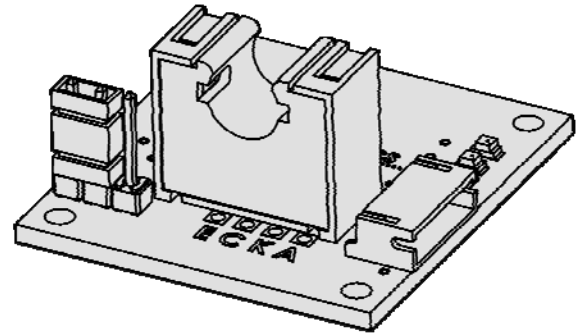
DIMENSIONS ARE IN: [MILLIMETERS]
INCHES

Pin	LED	Pin #	Transistor
1	Anode	4	Emitter
2	Cathode	3	Collector

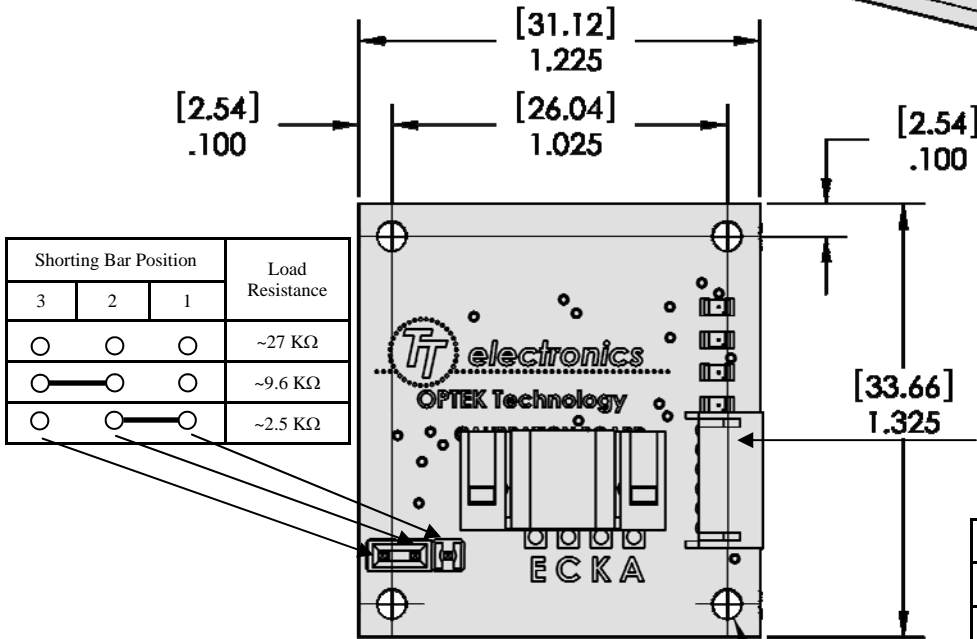


OPTEK reserves the right to make changes at any time in order to improve design and to supply the best product possible.

Tube Liquid Sensor
OPB350 / OCB350 Series
 (Calibration Circuit Available)

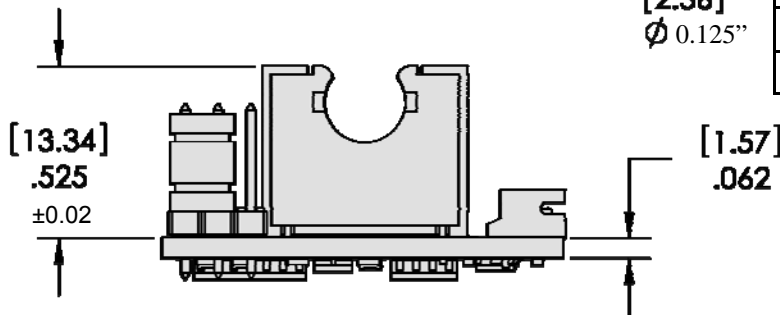


OCB350

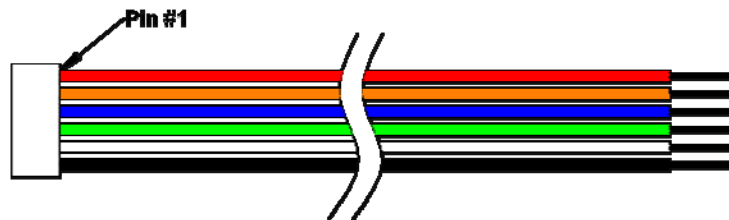


J1—Pin # 6

	J-1	OCB100-MC24
Pin #	Function	Color
1	Vcc	Red
2	Logic Out A	Orange
3	Logic Out B	Blue
4	Calibrate	Green
5	Analog Out	White
6	Ground	Black



OCB-MC24



AWG = 28

Length = 24" [610mm]

OPTEK reserves the right to make changes at any time in order to improve design and to supply the best product possible.

Calibration Circuit theory of operation:

The OCB350 series is designed to minimize the change of optical devices due to manufacturing variance. With the calibration circuit, the design engineer can narrow the initial output state providing a device that will operate the same for years with the same startup state thus enhancing the reliability and consistence of the system. Degradation of the LED or phototransistor is compensated for each time the system is calibrated allowing the system to provide a known, consistent output level resulting in years of consistent quality. The OCB350 series are designed to maintain the calibrated setting even if power is lost. This allows faster startup without the need for calibration every time the device is initiated. The designer can initiate the calibration procedure at any time by momentarily grounding J1-Pin-4 (green wire). This allows the device to be remotely calibrated then mounted in the equipment.

The PCBoard has a set of shorting pins allowing the user to change the phototransistor load resistor. By arranging the shorting bar to the appropriate location (see table), the load resistance can be changed from approximately 2.5K to 27 K Ω . Increasing the load resistor increases the sensitivity of the device.

When the “Calibrate” pin (#4) is momentarily grounded, the system begins its calibration process and raises the current through the LED, from 0 mA to 14 mA, until the phototransistor reaches the preset calibration point. A green calibration light will blink during the initiation and will stop when the preset phototransistor output level is reached. At this time, the LED drive current is locked and maintained until Reset/Clear pin is momentarily grounded. If for some reason, the LED drive current reaches the maximum allowable value, a RED warning light will be turned on. During the calibration process, remote monitoring of J1-Pin3 allows the designer to ensure the system is calibrated (this output should be at the preset calibrated output level when the calibration procedure is completed). The phototransistor load resistor may need to be adjusted to allow the system to calibrate properly.

After the calibration process is complete, the device is ready for acknowledgement of a change in the signal. The design engineer can monitor either the Analog Output (J1-Pin 5) or Logical Output (J1-Pin 2 or J1-Pin 3).

The Logical output will change state once the preset optical light condition is reached. The “Logic Out A” switches when the optical signal increases above approximately 2/3 of V_{CC} while “Logic Out B” switches when the optical signal decreases below approximately 1/3 of V_{CC} .

As with all optical devices, the switching condition is consistent with the phototransistor receiving a preset light level. This switching position and light level may vary dependent on several possible factors such as:

- Ambient light variation ((reduced or eliminated with periodic recalibration)
- LED and phototransistor pair degradation (eliminated with periodic recalibration)
- Contamination in front of either the LED or phototransistor (reduced or eliminated with periodic cleaning)
- System power variation (reduced or eliminated with periodic recalibration)
- Temperature changes (reduced or eliminated with periodic recalibration)

Tube Liquid Sensor
OPB350 / OCB350 Series
(Calibration Circuit Available)



Absolute Maximum Ratings OCB350 Series ($T_A=25^\circ\text{C}$ unless otherwise noted)

Storage & Operating Temperature Range	0°C to +70°C
Lead Soldering Temperature [1/16 inch (1.6mm) from the case for 5 sec. with soldering iron]	260°C

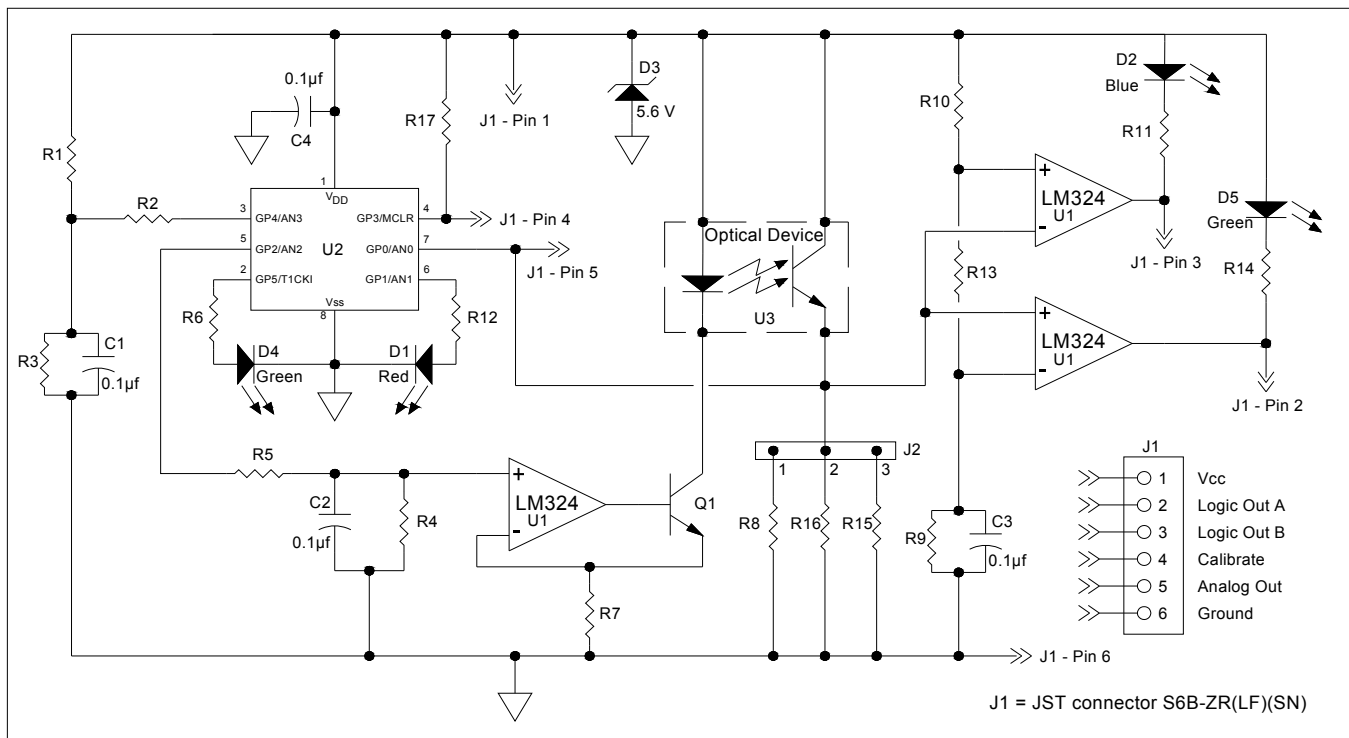
Electrical Characteristics OCB350 Series ($T_A = 25^\circ\text{C}$ unless otherwise noted)

Symbol	Parameter	Min	Max	Units	Conditions
V_{CC}	Supply Voltage	4.75	5.25	V	
I_{CC}	Supply Current	-	35	mA	$V_{CC} = 5.0$ Volts
V_{OL}	Low Level Output Voltage ⁽¹⁾	-	1.2	V	$V_{CC} = 5.0$ Volts, $V_{OUT} < 2.2$ Volts
V_{OH}	High Level Output Voltage ⁽¹⁾	3.5	-	V	$V_{CC} = 5.0$ Volts, $V_{OUT} > 2.8$ Volts

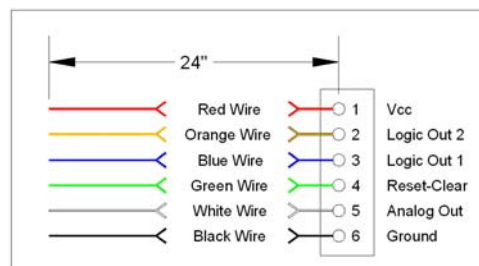
Notes:

1. Pins 2 and 3 logic outputs only.

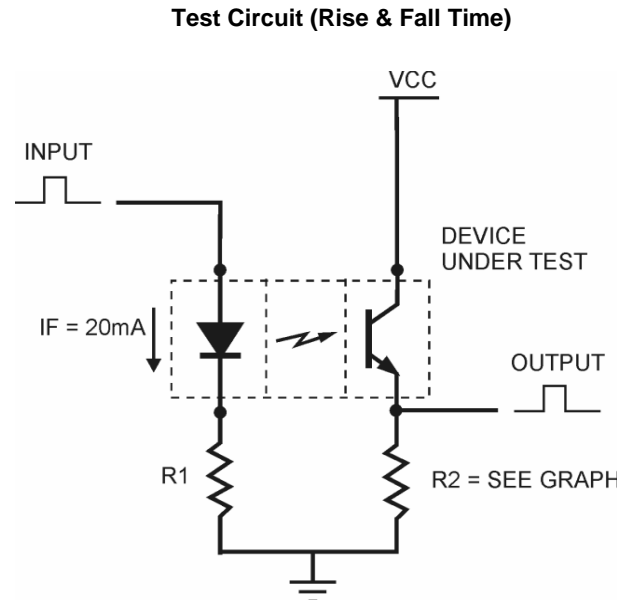
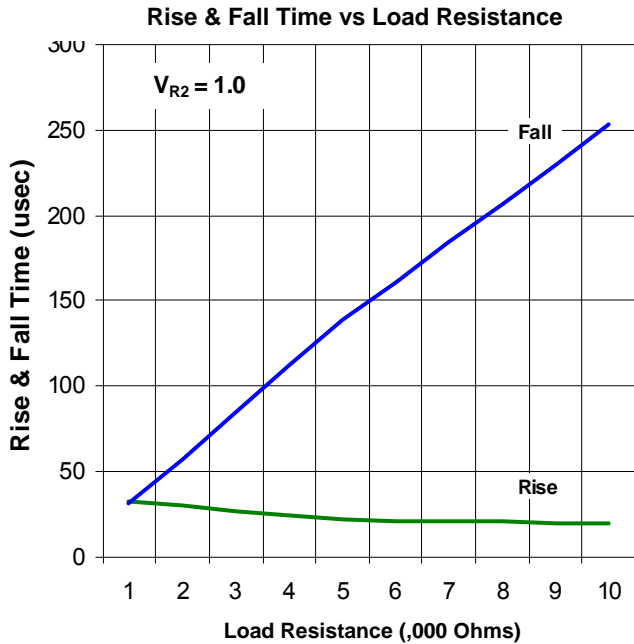
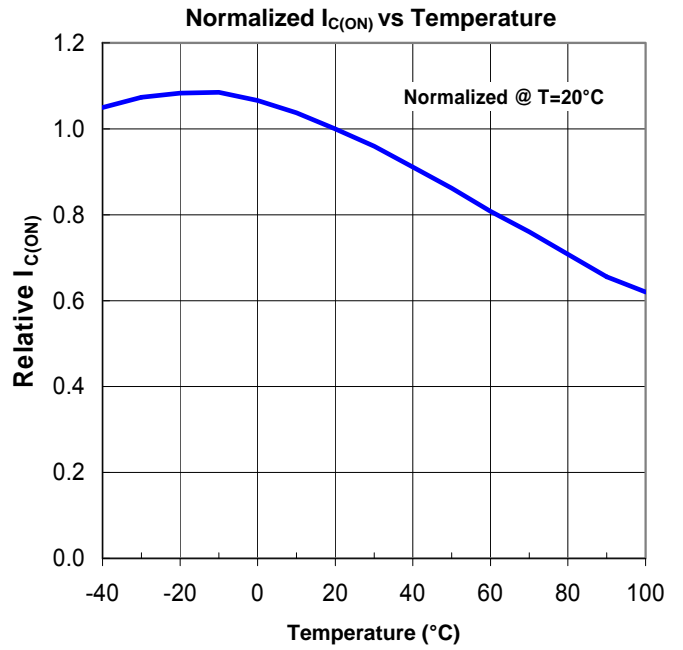
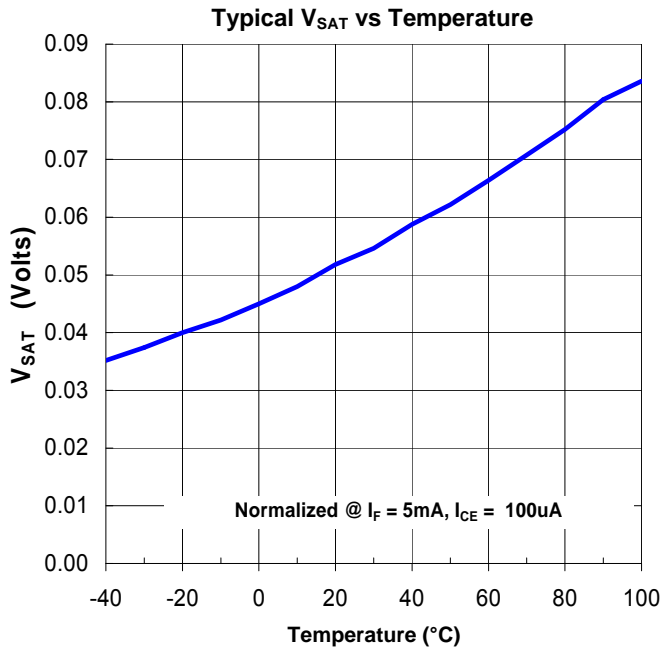
Schematic for OCB100 PCBoard



OCB100-MC24



OPTEK reserves the right to make changes at any time in order to improve design and to supply the best product possible.



OPTEK reserves the right to make changes at any time in order to improve design and to supply the best product possible.

Mouser Electronics

Authorized Distributor

Click to View Pricing, Inventory, Delivery & Lifecycle Information:

[TT Electronics:](#)

[OPB350W250Z](#) [OPB350W187Z](#) [OPB350L187](#) [OPB350L062](#) [OPB350L125](#) [OPB350W125Z](#)