

# Product datasheet

Specifications



## inductive sensor XS7 40x40x117 - PBT - Sn15 mm - 24..240VAC/DC - terminals

XS7C4A1MPN12

! Discontinued on: 01 November 2020

! Discontinued

XS7C4A1MPN12 has not been replaced. Please contact your customer care centre for more information.

### Main

Range of product	Telemecanique Inductive proximity sensors XS
Series name	General purpose
Sensor type	Inductive proximity sensor
Device application	-
Sensor name	XS7
Sensor design	Form 40 x 40 x 117
Size	117 mm
Body type	Fixed
Detector flush mounting acceptance	Flush mountable
Material	Plastic
Enclosure material	PBT
Type of output signal	Discrete
Wiring technique	2-wire
[Sn] nominal sensing distance	15 mm
Discrete output function	1 NO or 1 NC programmable
Output circuit type	AC/DC
Electrical connection	Screw-clamp terminals, 4 x 1.5 mm <sup>2</sup>
[Us] rated supply voltage	24...240 V AC 50/60 Hz 24...240 V DC
Switching capacity in mA	5...200 mA DC 5...300 mA AC
IP degree of protection	IP67 conforming to IEC 60529 IP65 conforming to IEC 60529 IP69K conforming to DIN 40050

### Complementary

Detection face	5 positions turret head
Front material	PBT
Operating zone	0...12 mm

Differential travel	3...15% of Sr
Repeat accuracy	<= 3% of Sr
Cable entry number	1 tapped entry for 1/2" NPT cable gland
Status LED	Supply on: 1 LED (green) Output state: 1 LED (yellow)
Supply voltage limits	20...264 V AC/DC
Maximum residual current	1.5 mA open state 120 V 0.6 mA open state 24 V
Switching frequency	<= 25 Hz AC <= 50 Hz DC
Maximum voltage drop	<5.5 V (closed)
Maximum delay first up	7.5 ms
Maximum delay response	1.2 ms
Maximum delay recovery	1.8 ms
Marking	CE
Height	40 mm
Length	40 mm
Width	117 mm
Net weight	0.244 kg

## Environment

Product certifications	CSA CCC UL
Ambient air temperature for operation	-25...70 °C
Ambient air temperature for storage	-40...85 °C
Vibration resistance	25 gn amplitude = +/- 2 mm (f = 10...55 Hz) conforming to IEC 60068-2-6
Shock resistance	50 gn for 11 ms conforming to EN 60068-2-27

## Packing Units

Unit Type of Package 1	PCE
Number of Units in Package 1	1
Package 1 Weight	238.0 g
Package 1 Height	4.6 cm
Package 1 width	14.6 cm
Package 1 Length	4.6 cm
Unit Type of Package 2	S02
Number of Units in Package 2	14
Package 2 Weight	3.677 kg
Package 2 Height	15 cm
Package 2 width	30 cm
Package 2 Length	40 cm

## Offer Sustainability

Sustainable offer status	Green Premium product
--------------------------	-----------------------

---

<b>REACH Regulation</b>	<a href="#">REACH Declaration</a>
<b>EU RoHS Directive</b>	Pro-active compliance (Product out of EU RoHS legal scope) <a href="#">EU RoHS Declaration</a>
<b>Mercury free</b>	Yes
<b>RoHS exemption information</b>	Yes
<b>Environmental Disclosure</b>	<a href="#">Product Environmental Profile</a>

---

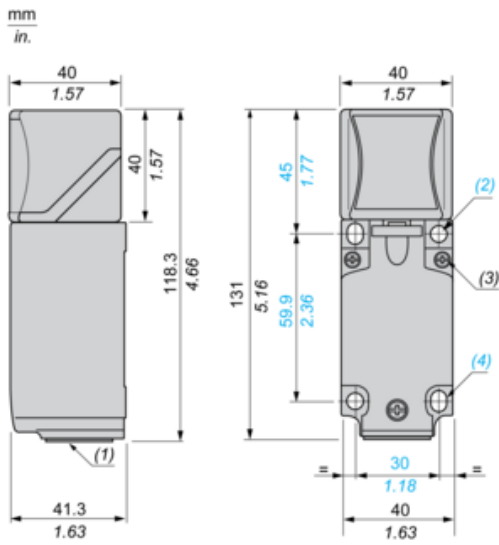
### **Contractual warranty**

---

<b>Warranty</b>	18 months
-----------------	-----------

---

Dimensions

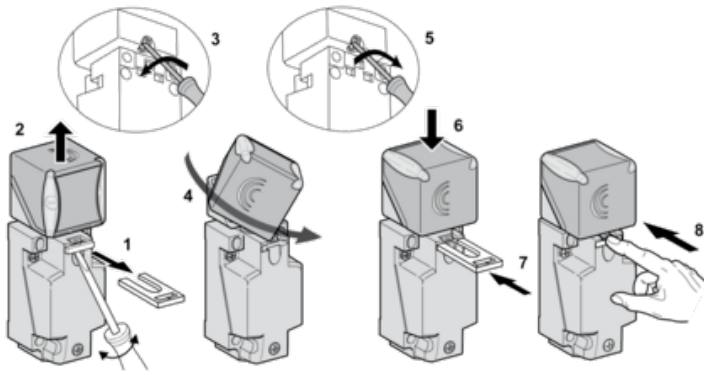


- (1) : 1/2" NPT cable gland.
- (2) : 2 holes  $\varnothing$  5,45 mm /  $\varnothing$  0.21 in. Tightening torque: < 1,5 Nm / < 13.3 lb-in.
- (3) : 3 screws M3,5. Tightening torque: < 1,2 Nm / < 10.6 lb-in.
- (4) : 2 elongated holes 5,4 x 7,4 mm / 0.21 x 0.29 in. Tightening torque: < 1,5 Nm / < 13.3 lb-in".

**Mounting**

---

**Head Positions**

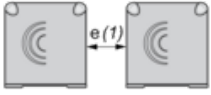


**Setting-up Precautions**

---

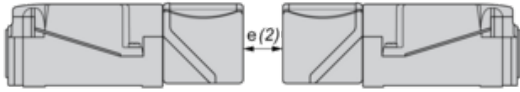
**Minimum Mounting Distances (mm)**

Side by Side



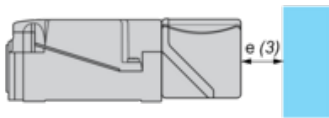
$e(1) \geq 60$

Face to Face



$e(2) \geq 120$

Facing a Metal Object



$e(3) \geq 45$

**Wiring Schemes**

---

**2-Wire AC or DC (Programmable)**

