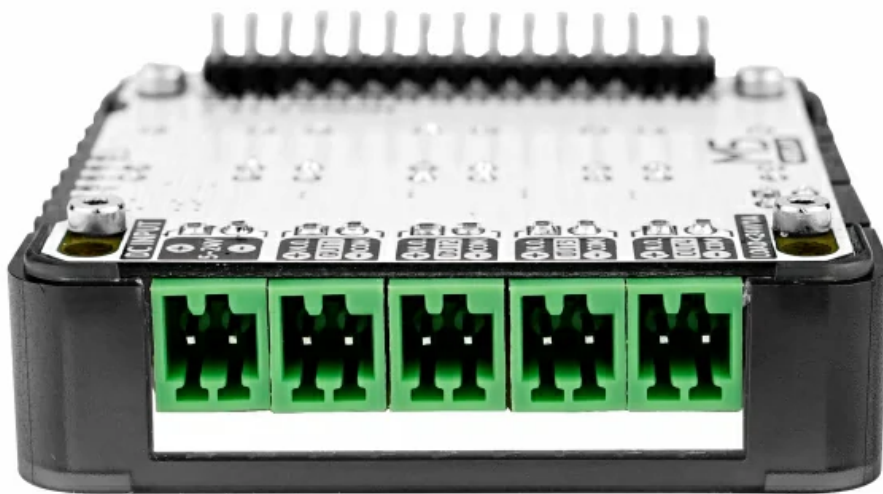


4Relay Module

SKU:M121



Description

4-Relay Module is a 4-Channel Relay module compatible with M5Stack Core and Core2 series, with **4-channel mechanical relays** (NO, COM). It supports I2C protocol. Also, it can be set by jumper into active/passive modes. This relay module supports DC control only, and Maximum load 24W (DC 24V@1A). Suitable for small load circuit control.

Product Features

- Embedded with STM32F030F4:
 - I2C communication (Addr: 0x26)
- Relay:
 - 4x relay module (COM, NO interface)
 - Maximum load 24W (DC 24V@1A)
- Supports two operation modes (selected by jumper).
 - Active mode.
 - Power input connects with relay NO port, to supply load directly.
 - Passive mode.
 - Power input not connects to the relay port. The user's circuit needs individual power supply.
- Power input (Support DC input only).
- DC 5-24V INPUT -> M5 BUS HPWR Bus (Controlled by jumper. When stacking with several different M5 modules, HPWR Bus can supply power to other modules that need 24V power, such as SERVO2 module, etc.)
- Development platform: Arduino, UIFlow(coming soon)

Includes

- 1x 4-Relay Module
- 5x Wiring Terminal 2.54mm-2P (green)
- 10x PIN Jumper
- 1x Wiring Instructions

Application

- On/off control
- Solenoid valve control
- DC control load on/off

Specification

Specifications	Parameters
Main Control Chip	STM32F030F4
Communication interface	I2C communication interface (addr: 0x26)
Support operating mode	Active control / Passive control
Relay channels	4x(COM, NO interface)
Power input interface	DC 5-24V
Load capacity	4 channels max. 24W (DC 24V@1A)
Relay terminal specifications	2.54-2P

Specifications

Parameters

Net Weight

37.2g

Gross Weight

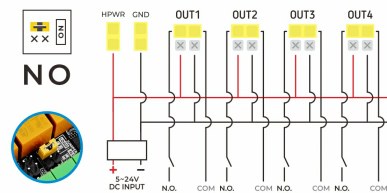
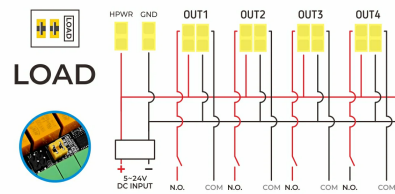
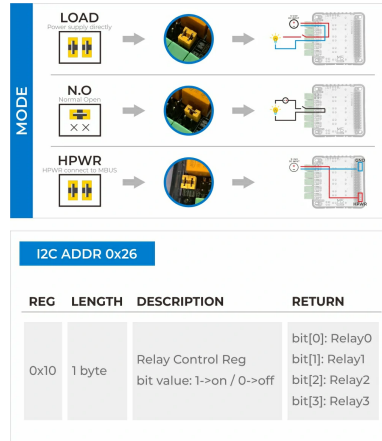
37.6g

Product size

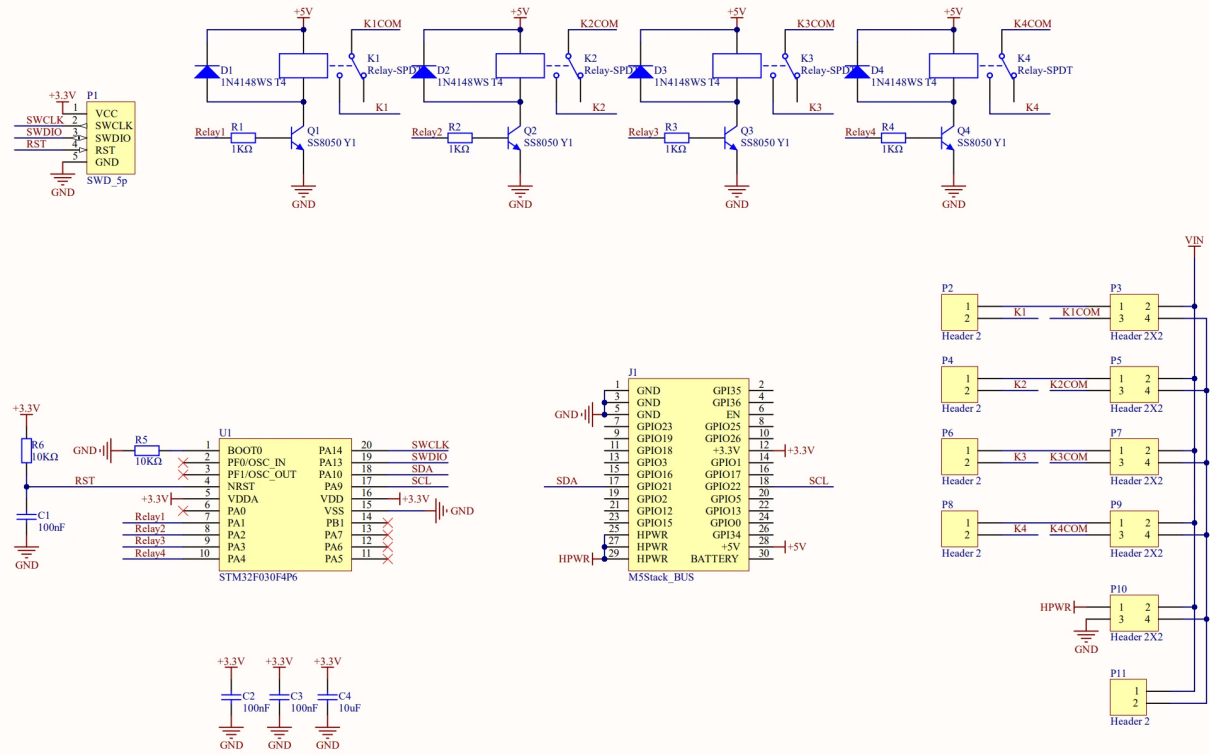
54.2*54.2*13.2mm

Package size

95*65*25mm



Schematic



Pin Mapping

M5Core	GPIO22	GPIO21	5V	GND
4Relay Module	SCL	SDA	5V	GND