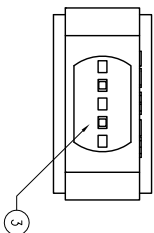
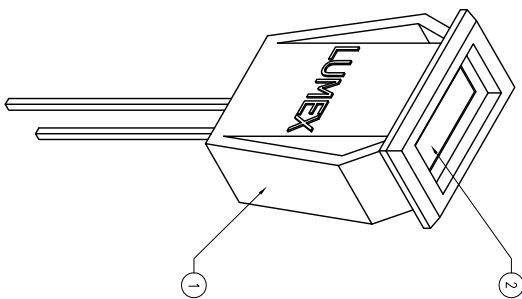
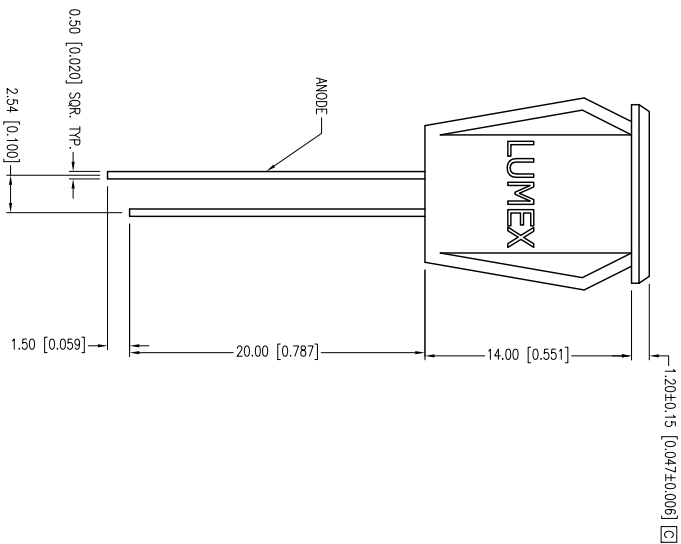
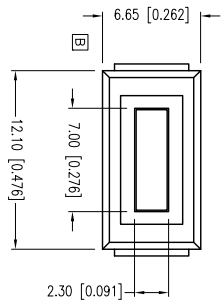


PART NUMBER	SSI-LXH072ID	REV.	D
DATE	E.C.N. NUMBER AND REVISION COMMENTS		REV.
01.05.99	E.C.N. #10BRDR. & REDRAWN.		A
01.10.01	E.C.N. #10702.		B
03.08.04	E.C.N. #11103.		C
04.11.11	E.C.N. #10BRDR. & REDRAWN./#11886.		D



ELECTRO-OPTICAL CHARACTERISTICS  $I_A=25^\circ\text{C}$

PARAMETER	MIN	TYP	MAX	UNITS	TEST COND
PEAK WAVELENGTH		635		nm	
FORWARD VOLTAGE		2.0	2.5	V <sub>f</sub>	$I_f=100\mu\text{A}$
REVERSE VOLTAGE	5.0			V <sub>r</sub>	
AXIAL INTENSITY		15		med	
VIEWING ANGLE		110		2x theta	$I_f=20\text{mA}$
EMITTED COLOR:		RED			
EPoxy LENS FINISH:		RED DIFFUSED			

LIMITS OF SAFE OPERATION AT 25°C

PARAMETER	MAX	UNITS
PEAK FORWARD CURRENT*	150	mA
STEADY CURRENT	30	mA
POWER DISSIPATION	105	mW
DERATE FROM 25°C	-1.2	mW/°C
OPERATING TEMP.	-40 TO +85	°C
STORAGE TEMP.	-40 TO +85	°C
SOLDERING TEMP.	+260	°C
2.0mm FROM BODY		
* I<sub>C</sub>=10US		

NOTES:

1. SSI-LXH072 HOLDER, BLACK.
2. SSI-LX25753D LED, RED.
3. SECURE LED TO HOLDER WITH GLUE.
4. PANEL CUT OUT SIZE: 5.3mm x 11.0mm.
5. QC TO SQUEEZE BOTH EARS OF HOLDER TO MAKE SURE THAT THEY CANNOT BREAK.
6. LUMEX MARKING CAN BE ON EITHER SIDE OF THE HOLDER HAVING NO SIGNIFICANCE TO LED POLARITY.

\*UNLESS OTHERWISE SPECIFIED TOLERANCES PER DECIMAL PRECISION ARE: X=±1 (±0.029), X.X=±0.5 (±0.020), X.XX=±0.25 (±0.010), X.XXX=±0.127 (±0.005), LEAD SIZE=±0.05 (±0.002), LEAD LENGTH=±0.75 (±0.030), MIN.= -0.00

2.3mm x 7mm RECTANGULAR PANEL INDICATOR LED, 635nm RED LED, RED DIFFUSED LENS.

\*\*THE SPECIFICATIONS MAY CHANGE AT ANY TIME WITHOUT NOTICE DUE TO NEW MATERIALS OR PRODUCT IMPROVEMENT\*\*

CONFIDENTIAL INFORMATION  
THE INFORMATION CONTAINED IN THIS DOCUMENT IS THE PROPERTY OF LUMEX INC. EXCEPT AS SPECIFICALLY AUTHORIZED IN WRITING BY LUMEX INC., THE HOLDER OF THIS DOCUMENT SHALL KEEP ALL INFORMATION CONTAINED HEREIN CONFIDENTIAL AND SHALL PROTECT SAME IN WHOLE OR IN PART FROM DISCLOSURE AND DISSEMINATION TO ALL THIRD PARTIES.



425 N. GARY AVE.  
CAROL STREAM, IL 60188-4900  
PHONE: +1.800.278.5666  
FAX: +1.630.315.2152  
WEB: WWW.LUMEX.COM

UNCONTROLLED DOCUMENT

DATE:	04.11.11	DRAWN BY:	AB
PAGE:	1 OF 1	CHKD BY:	KF
SCALE:	NTS	APRVD BY:	SS
UNIT:	mm [INCH]		