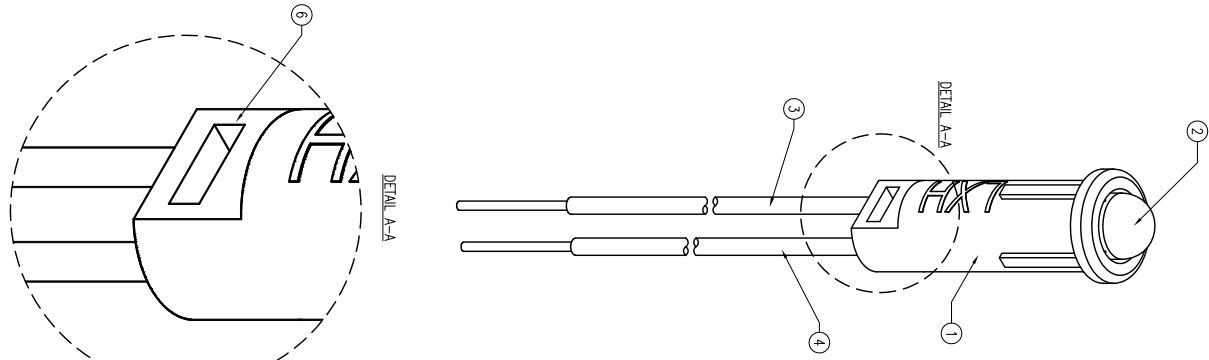
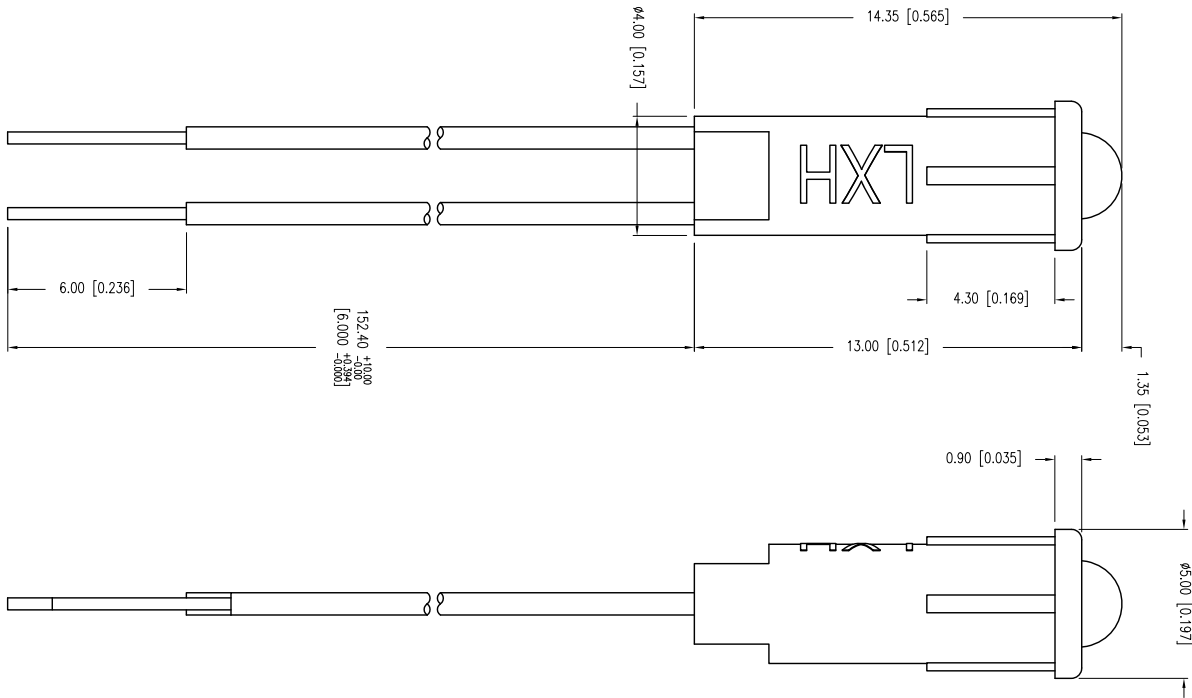


PART NUMBER	SII-LXH312GD-150	REV.	D
DATE	10.05.92	ADDED TO NOTE #3.	A
	05.08.95	ADDED TO NOTE #3.	B
	06.05.96	E.C.N. #10178.	C
	07.12.01	E.C.N. #10BRDR. & REDRAWN.	D



ELECTRO-OPTICAL CHARACTERISTICS $I_A=25^\circ\text{C}$ $I_f=20\text{mA}$

PARAMETER	MIN	TYP	MAX	UNITS	TEST COND
PEAK WAVELENGTH	565		2.6	nm	
FORWARD VOLTAGE	2.1			V _f	$I_f=100\text{mA}$
REVERSE VOLTAGE	5.0			V _r	
AXIAL INTENSITY	30			mcad	$I_f=20\text{mA}$
VIEWING ANGLE	60			2x theta	
EMITTED COLOR:	GREEN				
EPOXY LENS FINISH:	GREEN DIFFUSED				

LIMITS OF SAFE OPERATION AT 25°C

PARAMETER	MAX	UNITS
PEAK FORWARD CURRENT*	150	mA
STEADY CURRENT	25	mA
POWER DISSIPATION	105	mW
DERATE FROM 25°C	-1.2	mW/°C
OPERATING TEMP.	-40 TO +85	°C
STORAGE TEMP.	-40 TO +85	°C
SOLDERING TEMP.	+260	°C
2.0mm FROM BODY		3 SEC. MAX

* I<100S

- A** NOTES:
- SSH-LXH3121 HOLDER, BLACK NYLON 94-V.
 - SSI-LX30446D LED, LEADS CUT TO 5mm.
 - ANODE LEAD: LXP-W5726B70TC, RED INSULATED LEAD.
 - 26 AWG. CUT 158mm LONG, STRIP 3.0mm & 6.0mm.
 - CATHODE LEAD: LXP-W5726B70TC, BLACK INSULATED LEAD.
 - 26 AWG. CUT 158mm LONG, STRIP 3.0mm & 6.0mm.
 - MOUNTING HOLE: $\phi 0.170$ - $\phi 0.174$
 - HOLDER BASE MAY CONTAIN A MOLDING CAVITY. THE CAVITY IS COSMETIC AND DOES NOT IMPACT PART PERFORMANCE.

*UNLESS OTHERWISE SPECIFIED TOLERANCES PER DECIMAL PRECISION ARE: X=±1 (±0.025), X.X=±0.5 (±0.020), X.XX=±0.25 (±0.010), X.XXX=±0.127 (±0.005), LEAD SIZE=±0.05 (±0.002), LEAD LENGTH=±0.75 (±0.030), MIN.= -0.00 (DECIMAL PRECISION MAX.= +0.00 (DECIMAL PRECISION))

LUMEX
 Crediting LED and LCD Solutions Together™
 290 E. HELEN ROAD
 PALATINE, IL 60067-6976
 PHONE: +1.847.359.2790
 FAX: +1.847.359.6538
 WEB: WWW.LUMEX.COM

T-3mm LED BLACK PANEL INDICATOR WITH 6" WIRE LEADS, 565nm GREEN LED, GREEN DIFFUSED LENS.
 THE SPECIFICATIONS MAY CHANGE AT ANY TIME WITHOUT NOTICE DUE TO NEW MATERIALS OR PRODUCT IMPROVEMENT.
 CONFIDENTIAL INFORMATION
 THE INFORMATION CONTAINED IN THIS DOCUMENT IS THE PROPERTY OF LUMEX INC. EXCEPT AS SPECIFICALLY AUTHORIZED IN WRITING BY LUMEX INC., THE HOLDER OF THIS DOCUMENT SHALL KEEP ALL INFORMATION CONTAINED HEREIN CONFIDENTIAL AND SHALL PROTECT SAME IN WHOLE OR IN PART FROM DISCLOSURE AND DISSEMINATION TO ALL THIRD PARTIES.

UNCONTROLLED DOCUMENT

DATE:	08.23.92	DRAWN BY:	CT
PAGE:	1 OF 1	CHKD BY:	DT
SCALE:	NTS	APRVD BY:	DT
UNIT:	mm [INCH]		