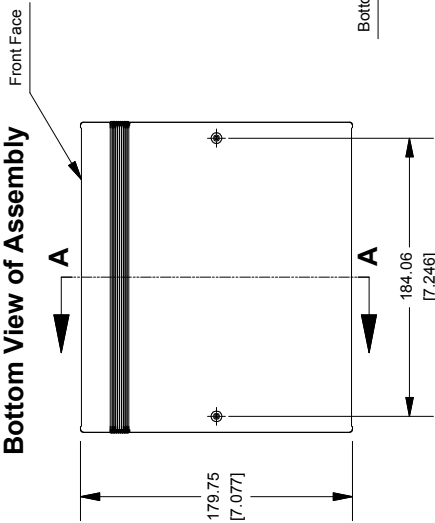
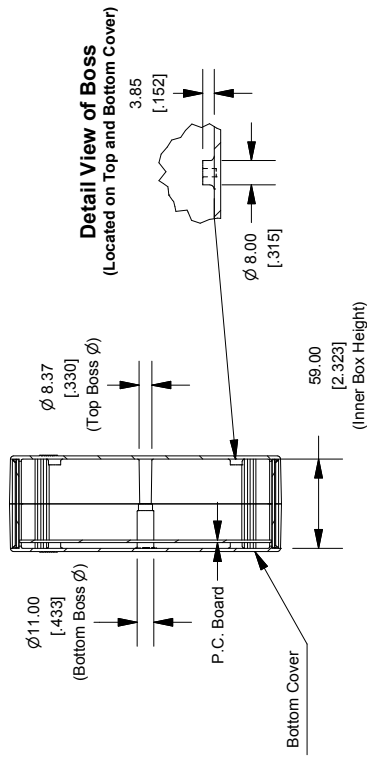


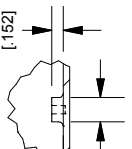
**Bottom View of Assembly**



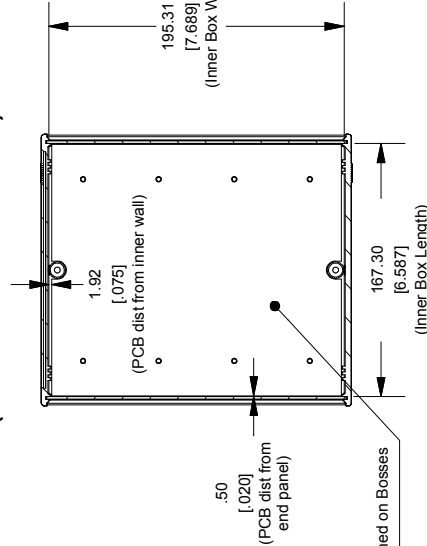
**SECTION A-A  
(Side View Inside Assembly)**



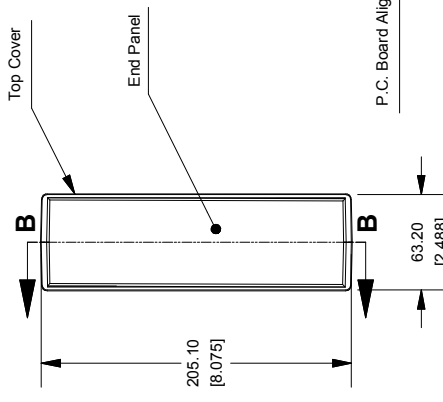
**Detail View of Boss**  
(Located on Top and Bottom Cover)



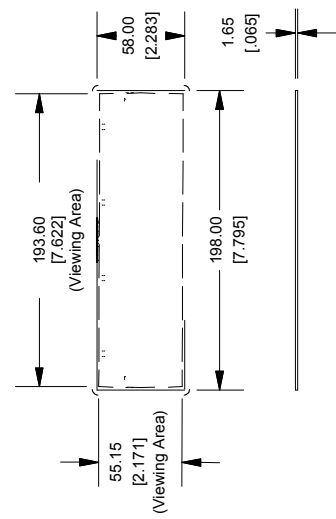
**SECTION B-B  
(Inside of Bottom Cover)**



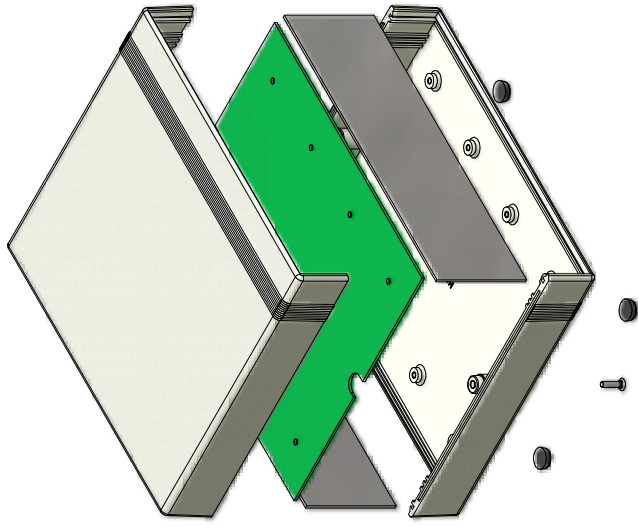
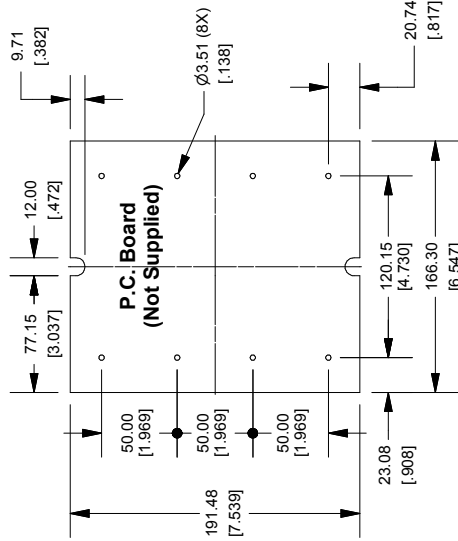
**End View of Assembly**



**Front/Rear Panel  
(Dashed Line Indicates Viewing Area)**



**Maximum P.C. Board Size**



Enclosures can be Factory Modified ( Milling, Drilling, Printing etc. )  
Solid models of this enclosure available in STEP or IGES.  
Contact Factory njm@hammondmfg.com

**NOTE**

Purchased Assembly includes top and bottom cover, front and end aluminum panels (alloy 5052-H32, SPV coating on one side), 2 cover screws, and 4 rubber feet.

**1598D Instrument Case**

FLAME RETARDANT ABS (UL94-V0)	
Black Enclosure with Aluminum Panels	1598DBK
Grey Enclosure with Aluminum Panels	1598DGY
Black EM/RFI Shielded	1598RDBK
NON-FLAME RETARDANT GPABS (UL94-HB)	
Grey Enclosure with Aluminum Panels	1598DSGY
Grey Enclosure with Black Plastic Panels	1598DSGYPBK
<b>ACCESSORIES</b>	
Black Plastic Panels	1598PLDBK
Rubber Feet (Pkg 24)	1421T2
For 1598 FR-ABS	1591MS100
Cover Screws (Pkg 100) [M3 - 0.5 x 10mm]	
For 1598 GPABS	1591TS100
Cover Screws (Pkg 100) #4 x .5/8" (15.9mm)	
For Both Models	
PCB Screws (Pkg 100) #6 x 1/4" (6.4mm)	1598ATS100



**HAMMOND  
MANUFACTURING™**

**1598D**

www.hammondmfg.com