

Receptacle Housings

**Technical Features**

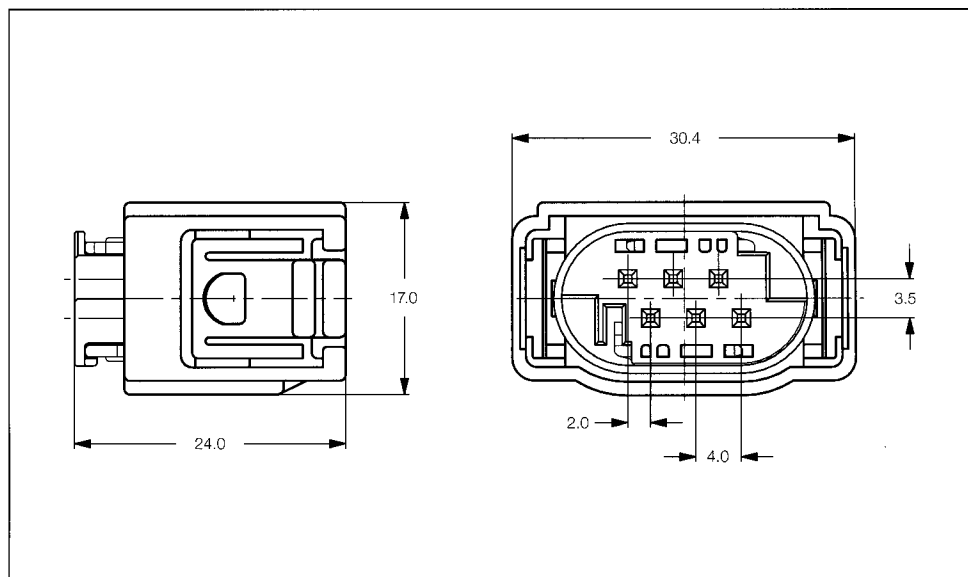
**No. of Positions:**  
6 Positions

**Housing Material:**  
PBT GF15

**Wire Size Range:**  
0.75 mm<sup>2</sup> Max.

**Product Specification:**  
108-18272-0

**Application Specification:**  
114-18061



**6 Position Receptacle Housings**

No. of Pos.	Keying Options	Housing Color	Part Numbers							
			Receptacle Housing	Cover	Locking Device	Cover and Lever	Retainer Housing	Mating Tab Housing	Mating PCB Header Right-Angle	Mating PCB Header Vertical
6	A	Black	1-967616-1							
	A	Black	1-967616-2	-	-	-	-	967587	-	-
	B	Grey	2-967616-1							
	C	Blue	3-967616-1							