

Printed-circuit board connector - PSC 1,5/ 5-F



1841912

<https://www.phoenixcontact.com/us/products/1841912>

Please be informed that the data shown in this PDF document is generated from our Online Catalog. Please find the complete data in the user documentation. Our General Terms of Use for Downloads are valid.



PCB connector, nominal cross section: 1.5 mm², color: green, nominal current: 8 A, rated voltage (III/2): 320 V, contact surface: Tin, type of contact: Female connector, number of potentials: 5, number of rows: 1, number of positions: 5, number of connections: 5, product range: PSC 1,5/..-F, pitch: 3.5 mm, connection method: Screw connection with tension sleeve, screw head form: L Slotted, conductor/PCB connection direction: 0 °, number of solder pins per potential: 1, plug-in system: PSC 1,5, Electrical properties: shielded, locking: Screw locking, mounting: without, type of packaging: packed in cardboard

Your advantages

- Well-known mounting principle allows worldwide use
- Low temperature rise, thanks to maximum contact force
- Shroud for professional EMC shield feed-through on the inside of the device
- Screwable flange for superior mechanical stability

Printed-circuit board connector - PSC 1,5/ 5-F



1841912

<https://www.phoenixcontact.com/us/products/1841912>

Commercial Data

Item number	1841912
Packing unit	1 pc
Minimum order quantity	50 pc
Sales Key	A01
Product Key	AABWPA
Catalog Page	Page 251 (C-1-2013)
GTIN	4017918111885
Weight per Piece (including packing)	7.34 g
Weight per Piece (excluding packing)	7.34 g
Customs tariff number	85366990
Country of origin	PL

Technical Data

Product properties

Type	Plugs with shielded housing
Product line	COMBICON Connectors S
Product type	PCB plug
Number of positions	5
Pitch	3.5 mm
Number of connections	5
Number of rows	1
Mounting flange	without
Number of potentials	5
Electrical characteristic	shielded

Electrical properties

Nominal current I_N	8 A
Nominal voltage U_N	320 V (for applications in metal or metal-plated housings, the degree of protection "safety extra-low voltage" must be used.)
Pollution degree	3
Rated voltage (III/3)	250 V
Rated surge voltage (III/3)	4 kV
Rated voltage (III/2)	320 V
Rated surge voltage (III/2)	4 kV
Electrical characteristic	shielded

Connection data

Connection technology

Type	Plugs with shielded housing
Connector system	PSC 1,5
Nominal cross section	1.5 mm ²
Type of contact	Female connector

Interlock

Locking type	Screw locking
Mounting flange	without

Conductor connection

Connection method	Screw connection with tension sleeve
Conductor/PCB connection direction	0 °
Conductor cross section solid	0.14 mm ² ... 1.5 mm ²
Conductor cross section flexible	0.14 mm ² ... 1.5 mm ²
Conductor cross section AWG	28 ... 16
Conductor cross section flexible, with ferrule without plastic sleeve	0.25 mm ² ... 1.5 mm ²

Printed-circuit board connector - PSC 1,5/ 5-F



1841912

<https://www.phoenixcontact.com/us/products/1841912>

Conductor cross section, flexible, with ferrule, with plastic sleeve	0.25 mm ² ... 1.5 mm ²
Torque	0.22 Nm ... 0.25 Nm

Material specifications

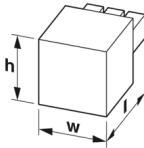
Material data - contact

Note	WEEE/RoHS-compliant, free of whiskers according to IEC 60068-2-82/JEDEC JESD 201
Contact material	Cu alloy
Metal surface terminal point (top layer)	Tin (5 - 7 µm Sn)
Metal surface contact area (top layer)	Tin (5 - 7 µm Sn)

Material data - housing

Housing color	green (6021)
Insulating material	PA
Insulating material group	I
CTI according to IEC 60112	600
Flammability rating according to UL 94	V0
Glow wire flammability index GWFI according to EN 60695-2-12	850
Glow wire ignition temperature GWIT according to EN 60695-2-13	775
Temperature for the ball pressure test according to EN 60695-10-2	125 °C

Dimensions

Dimensional drawing	
Pitch	3.5 mm
Width [w]	39.2 mm
Height [h]	12.5 mm
Length [l]	16 mm
Installed height	12.5 mm

Mounting

Drive form screw head	Slotted (L)
-----------------------	-------------

Electrical tests

Air clearances and creepage distances |

Insulating material group	I
Rated insulation voltage (III/3)	250 V
Rated surge voltage (III/3)	4 kV
Rated insulation voltage (III/2)	320 V

Printed-circuit board connector - PSC 1,5/ 5-F



1841912

<https://www.phoenixcontact.com/us/products/1841912>

Rated surge voltage (III/2)	4 kV
Rated insulation voltage (II/2)	630 V
Rated surge voltage (II/2)	4 kV

Packaging specifications

Type of packaging	packed in cardboard
-------------------	---------------------

Printed-circuit board connector - PSC 1,5/ 5-F

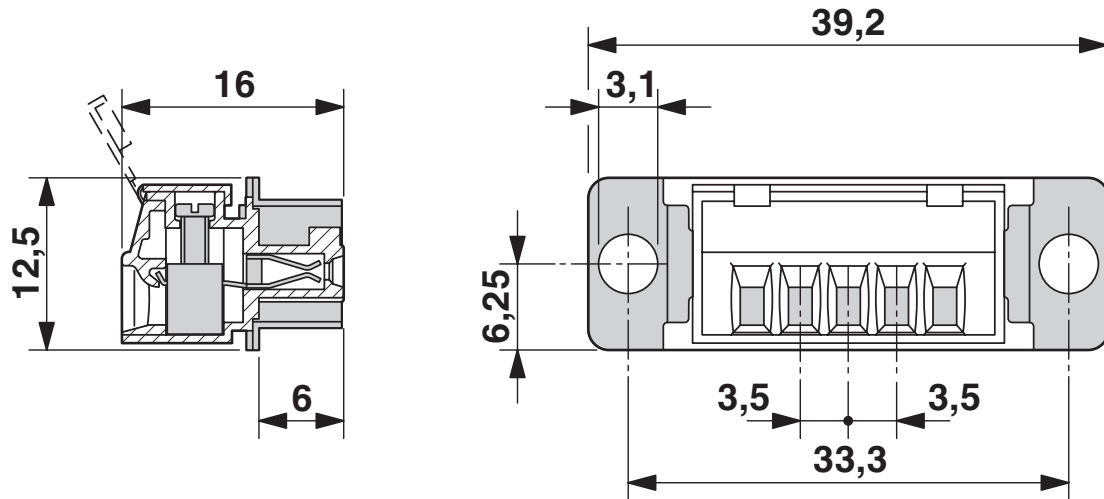


1841912

<https://www.phoenixcontact.com/us/products/1841912>

Drawings

Dimensional drawing




Printed-circuit board connector - PSC 1,5/ 5-F





1841912

<https://www.phoenixcontact.com/us/products/1841912>

Approvals

 CSA Approval ID: 13631				
	Nominal Voltage U_N	Nominal Current I_N	Cross Section AWG	Cross Section mm^2
Use group B				
	300 V	8 A	28 - 16	-
Use group D				
	300 V	8 A	28 - 16	-

 EAC Approval ID: B.01687				
--	--	--	--	--

 cULus Recognized Approval ID: E60425-19920306				
	Nominal Voltage U_N	Nominal Current I_N	Cross Section AWG	Cross Section mm^2
Use group B				
	300 V	8 A	30 - 14	-
Use group D				
	300 V	8 A	30 - 14	-

Printed-circuit board connector - PSC 1,5/ 5-F



1841912

<https://www.phoenixcontact.com/us/products/1841912>

Classifications

ECLASS

ECLASS-9.0	27440309
ECLASS-10.0.1	27440309
ECLASS-11.0	27460202

ETIM

ETIM 8.0	EC002638
----------	----------

UNSPSC

UNSPSC 21.0	39121400
-------------	----------

Printed-circuit board connector - PSC 1,5/ 5-F



1841912

<https://www.phoenixcontact.com/us/products/1841912>

Environmental Product Compliance

REACH SVHC	Lead 7439-92-1
China RoHS	Environmentally Friendly Use Period = 50 years
	For information on hazardous substances, refer to the manufacturer's declaration available under "Downloads"

Printed-circuit board connector - PSC 1,5/ 5-F



1841912

<https://www.phoenixcontact.com/us/products/1841912>

Accessories

Housing

Housing - SCT-D-SUB 9-KG - 2749550

<https://www.phoenixcontact.com/us/products/2749550>

POWER-SUBCON cable housing, 3-pos.



Screwdriver

Screwdriver - SZS 0,4X2,5 VDE - 1205037

<https://www.phoenixcontact.com/us/products/1205037>

Screwdriver, slot-headed, VDE insulated, size: 0.4 x 2.5 x 80 mm, 2-component grip, with non-slip grip



Printed-circuit board connector - PSC 1,5/ 5-F



1841912

<https://www.phoenixcontact.com/us/products/1841912>

Housing

Housing - SCT-D-SUB 15-KG - 2749563

<https://www.phoenixcontact.com/us/products/2749563>

POWER-SUBCON cable housing, 5-pos.



PCB header

PCB header - PSC 1,5/ 5-M - 1841899

<https://www.phoenixcontact.com/us/products/1841899>



PCB headers, nominal cross section: 1.5 mm², color: green, nominal current: 8 A, rated voltage (III/2): 320 V, contact surface: Tin, type of contact: Male connector, number of potentials: 5, number of rows: 1, number of positions: 5, number of connections: 5, product range: PSC 1,5/..-M, pitch: 3.5 mm, pin layout: Zigzag pinning W, solder pin [P]: 3.5 mm, number of solder pins per potential: 1, plug-in system: PSC 1,5, Electrical properties: shielded, Pin connector pattern alignment: Standard, locking: Screw locking, mounting: Threaded flange, type of packaging: packed in cardboard

Printed-circuit board connector - PSC 1,5/ 5-F



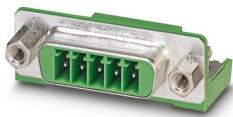
1841912

<https://www.phoenixcontact.com/us/products/1841912>

PCB header

PCB header - PSC 1,5/ 5-M-PE - 1848135

<https://www.phoenixcontact.com/us/products/1848135>



PCB headers, nominal cross section: 1.5 mm², color: green, nominal current: 8 A, rated voltage (III/2): 320 V, contact surface: Tin, type of contact: Male connector, number of potentials: 5, number of rows: 1, number of positions: 5, number of connections: 5, product range: PSC 1,5/..-M, pitch: 3.5 mm, pin layout: Linear pinning, solder pin [P]: 3.5 mm, number of solder pins per potential: 1, plug-in system: PSC 1,5, Electrical properties: shielded, Pin connector pattern alignment: Standard, locking: Screw locking, mounting: Threaded flange, type of packaging: packed in cardboard

Phoenix Contact 2022 © - all rights reserved

<https://www.phoenixcontact.com>

Phoenix Contact USA
586 Fulling Mill Road
Middletown, PA 17057, United States
(+717) 944-1300
info@phoenixcon.com