

4

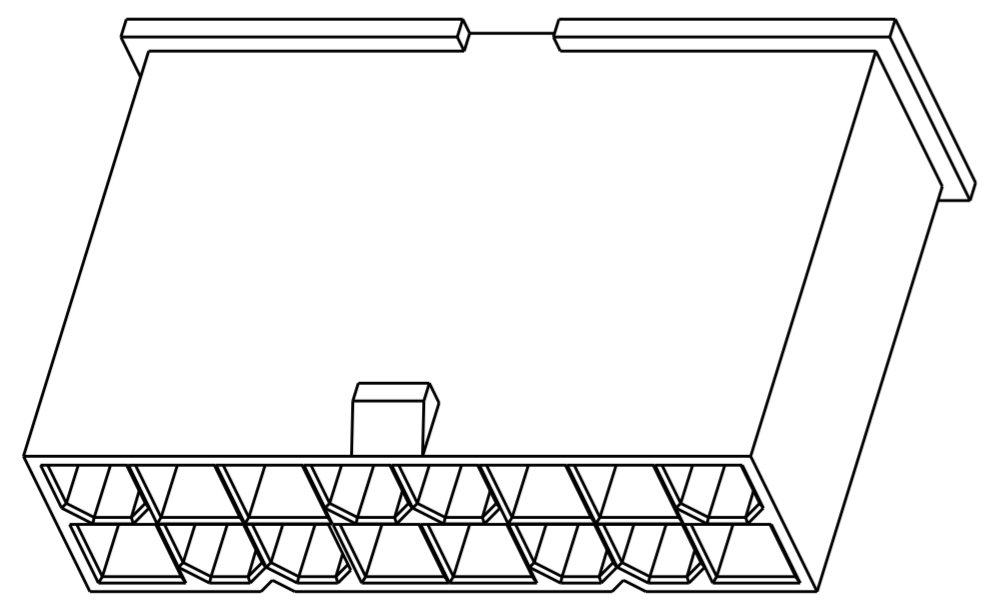
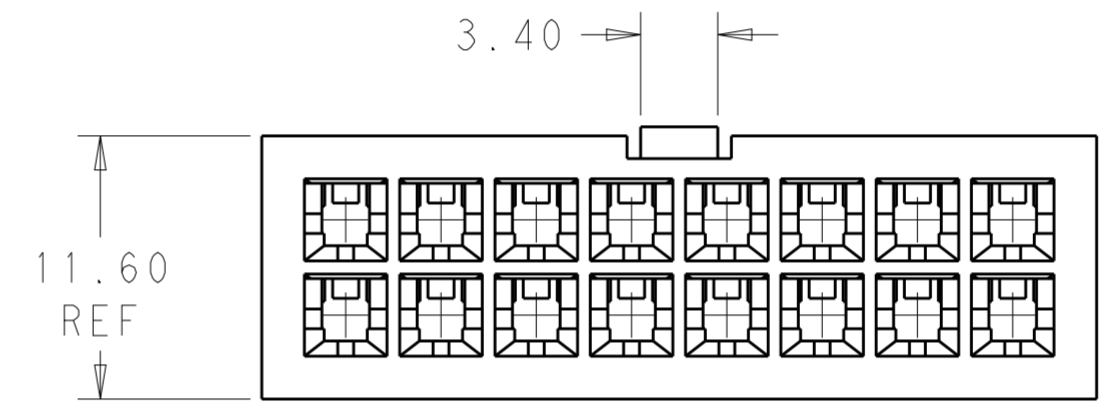
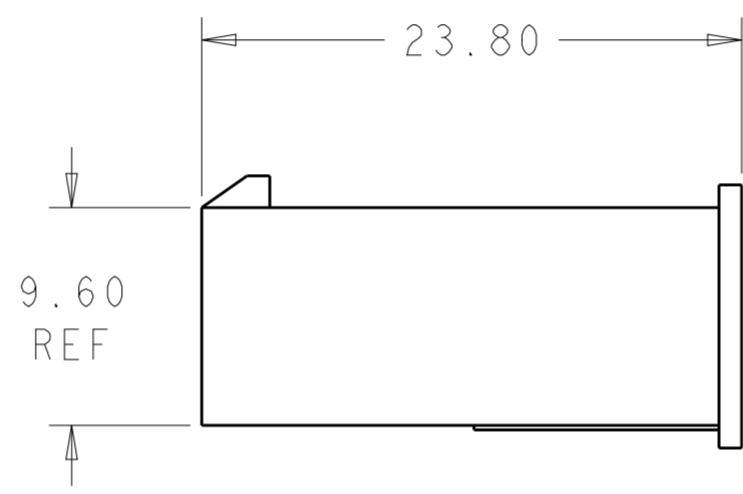
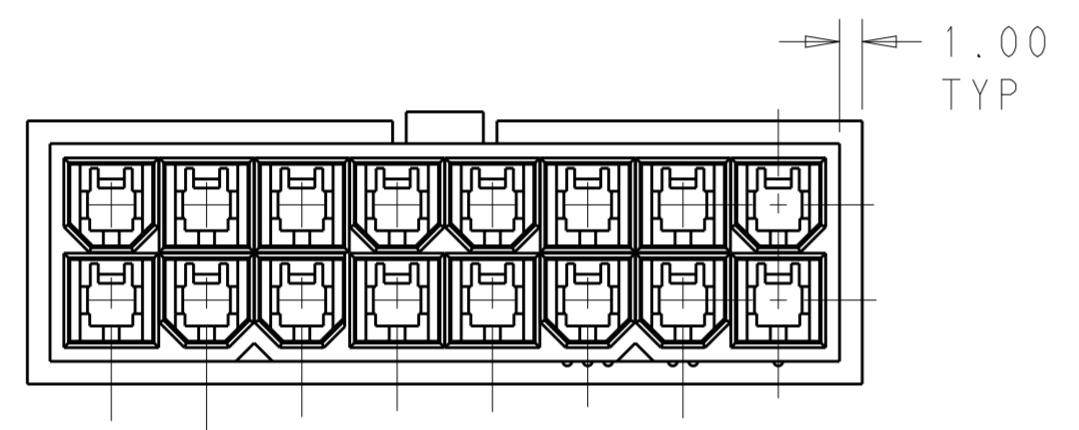
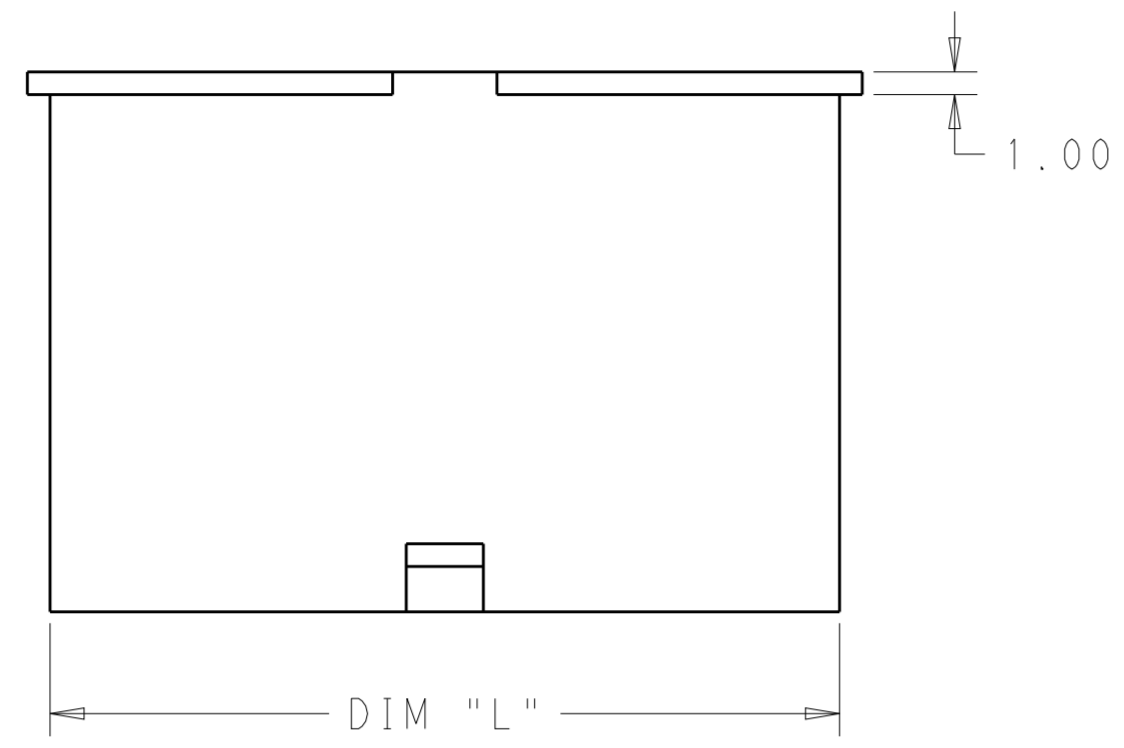
3

2

1

THIS DRAWING IS UNPUBLISHED. RELEASED FOR PUBLICATION 20
 © COPYRIGHT 20 BY - ALL RIGHTS RESERVED.

LOC	DIST	REVISIONS			
P	LTR	DESCRIPTION	DATE	DWN	APVD
AF	-	A	REVISED PER ECR-13-018775	11DEC2013	KH KR



51.60	24	2-1969598-4
47.40	22	2-1969598-2
43.20	20	2-1969598-0
39.00	18	1-1969598-8
34.80	16	1-1969598-6
30.60	14	1-1969598-4
26.40	12	1-1969598-2
22.20	10	1-1969598-0
18.00	8	1969598-8
13.80	6	1969598-6
9.60	4	1969598-4
5.40	2	1969598-2
DIM L	NO. OF POS	PART NO.

THIS DRAWING IS A CONTROLLED DOCUMENT.		DWN	JR RUTH	12DEC2012	 TE Connectivity		
DIMENSIONS:		CHK	KURT RANDOLPH	12DEC2012			
TOLERANCES UNLESS OTHERWISE SPECIFIED:		APVD	KURT RANDOLPH	12DEC2012			
mm		PRODUCT SPEC					
0 PLC ± 1 PLC ± 2 PLC ±0.25 3 PLC ± 4 PLC ± ANGLES ±		APPLICATION SPEC			NAME	PLUG HOUSING VAL-U-LOK	
MATERIAL	NYLON 6/6, V2	FINISH	COLOR-NATURAL	WEIGHT	-	SIZE	A200779
		Customer Drawing		SCALE	3:1	DRAWING NO	C-1969598
				SHEET	1	OF	1
				REV	A		

Mouser Electronics

Authorized Distributor

Click to View Pricing, Inventory, Delivery & Lifecycle Information:

[TE Connectivity:](#)

[2-1969598-2](#)