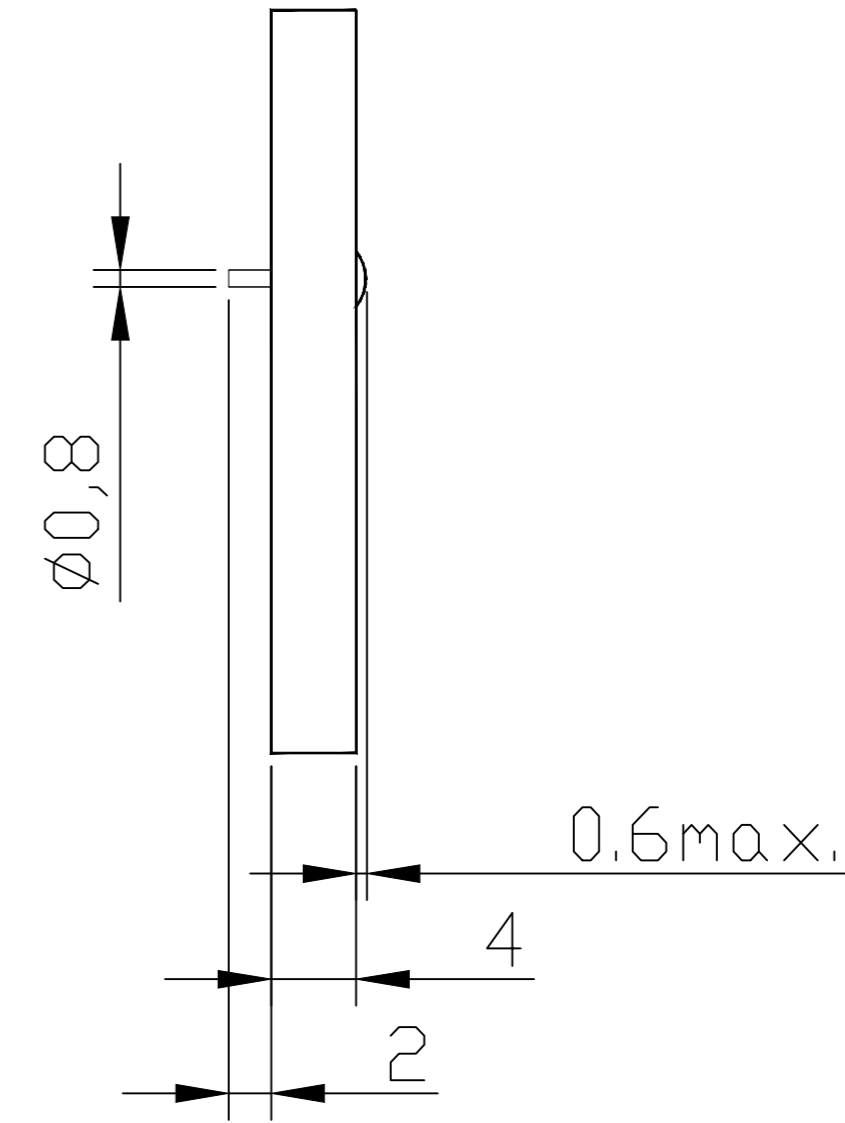
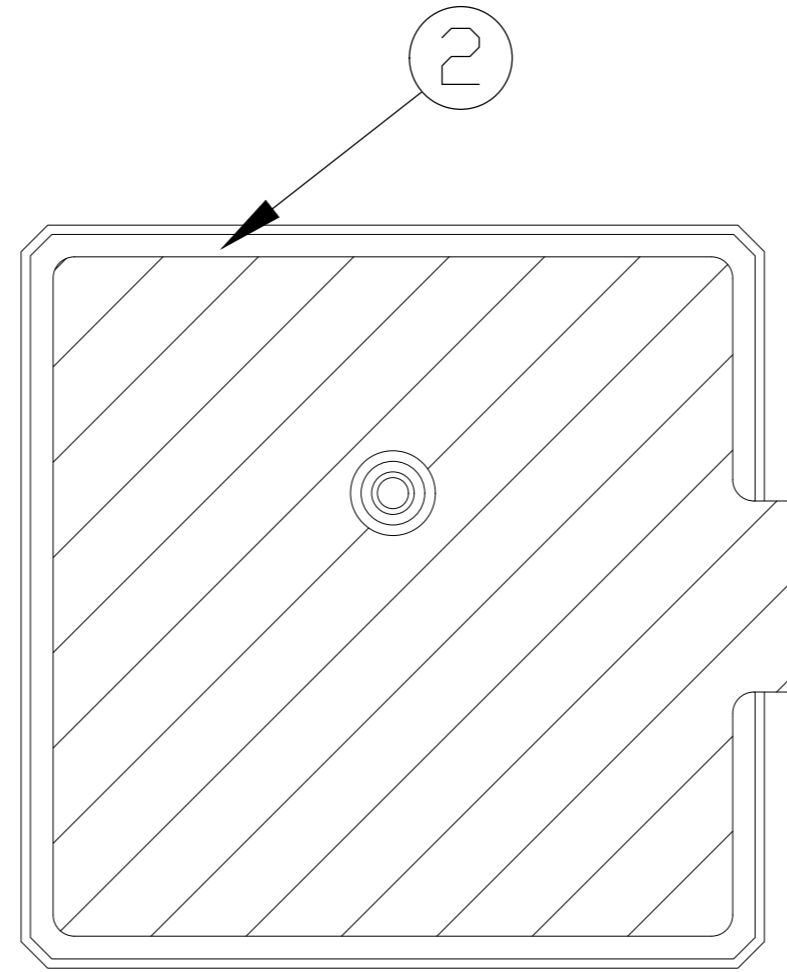
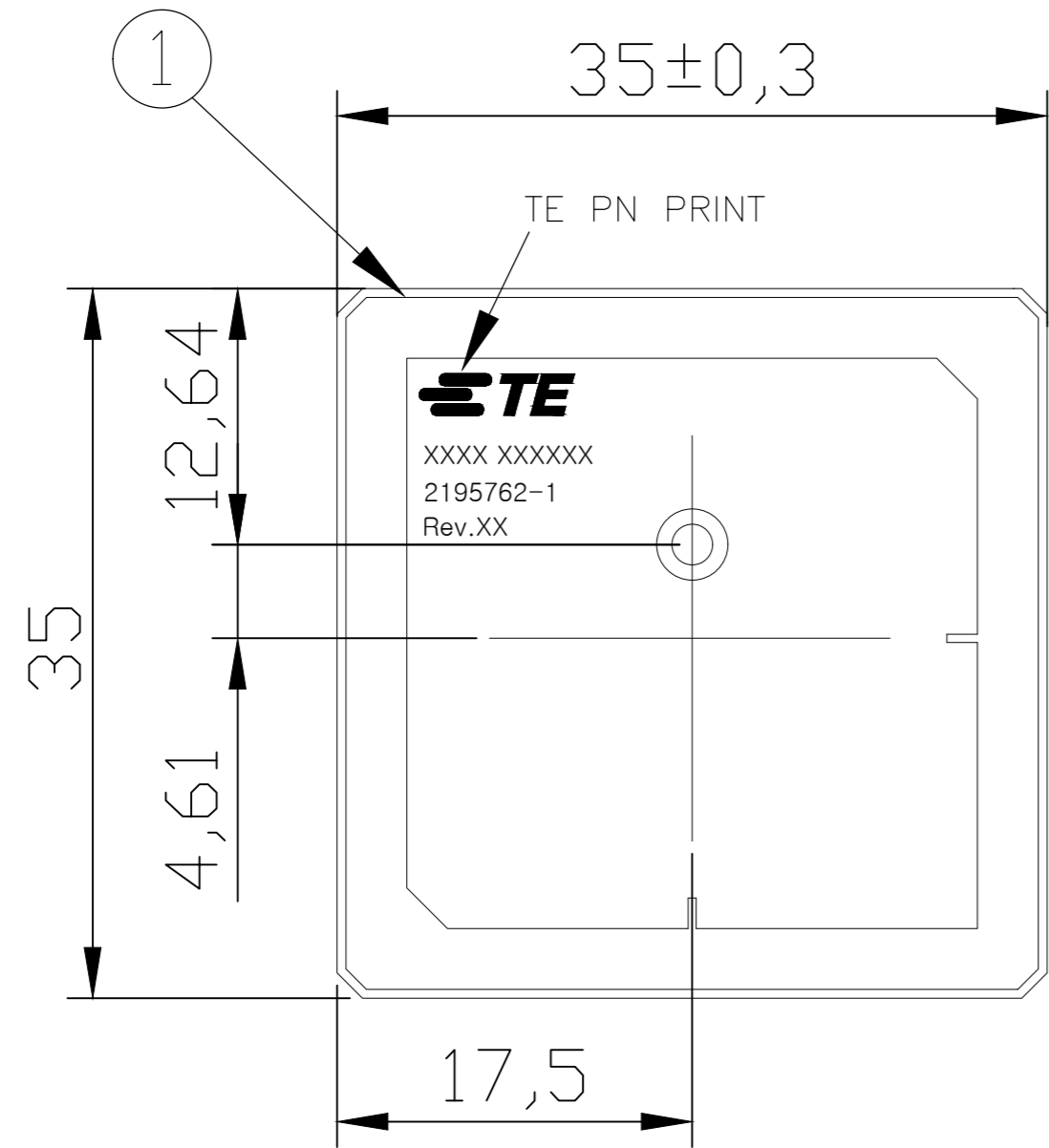


THIS DRAWING IS UNPUBLISHED. RELEASED FOR PUBLICATION  
 © COPYRIGHT - TE Connectivity ALL RIGHTS RESERVED.

REVISIONS				
P	LTR	DESCRIPTION	DATE	APVD
C		UPDATE PIN LOCATION DIMENSION	06AUG2020	DC AC



2	TAPE	TWIN ADHESIVE	1
1	CERAMIC	SIZE: 35*35*4mm	1
NO.	ITEM	SPECIFICATION	QT'Y

NOTES:

- MATERIALS : REFER TO TABLE.
- A: ALL MATERIALS, COMPONENTS AND PROCESSES SHALL COMPLY WITH TEC-138-702 (CONTAINS NO BANNED OR RESTRICTED SUBSTANCES)  
 B: NO REACH SVHC SHALL BE CONTAINED ABOVE THE THRESHOLD AS DEFINED IN REACH SVHC  
 C: LOW HALOGEN: CODE 2(Br<900PPM, Cl<900PPM, Br+Cl<1500PPM PER HOMOGENEOUS MATERIAL) COMPLIANCE DEFINITION IN ANNEX A OF TEC-138-702
- CONTACT TE CONNECTIVITY ENGINEERING PRIOR TO DESIGNING INTO AN APPLICATION

TE PN | 2195762-1

THIS DRAWING IS A CONTROLLED DOCUMENT.		DWN PAUL HAUNG 20DEC2018	<b>STE</b> TE Connectivity	
DIMENSIONS: mm		CHK AMOS CHEAH 20DEC2018		
TOLERANCES UNLESS OTHERWISE SPECIFIED:		APVD AMOS CHEAH 20DEC2018	NAME GNSS_35x35	
0 PLC ± -		PRODUCT SPEC	SIZE A2 CAGE CODE 00779 DRAWING NO. C=2195762 RESTRICTED TO -	
1 PLC ± -		APPLICATION SPEC	SCALE 1:1 SHEET 1 of 1 REV C	
2 PLC ± -		WEIGHT -	CUSTOMER DRAWING	
3 PLC ± -				
4 PLC ± -				
ANGLES ± -				
FINISH -				

# Mouser Electronics

Authorized Distributor

Click to View Pricing, Inventory, Delivery & Lifecycle Information:

[TE Connectivity:](#)

[2195762-1](#)