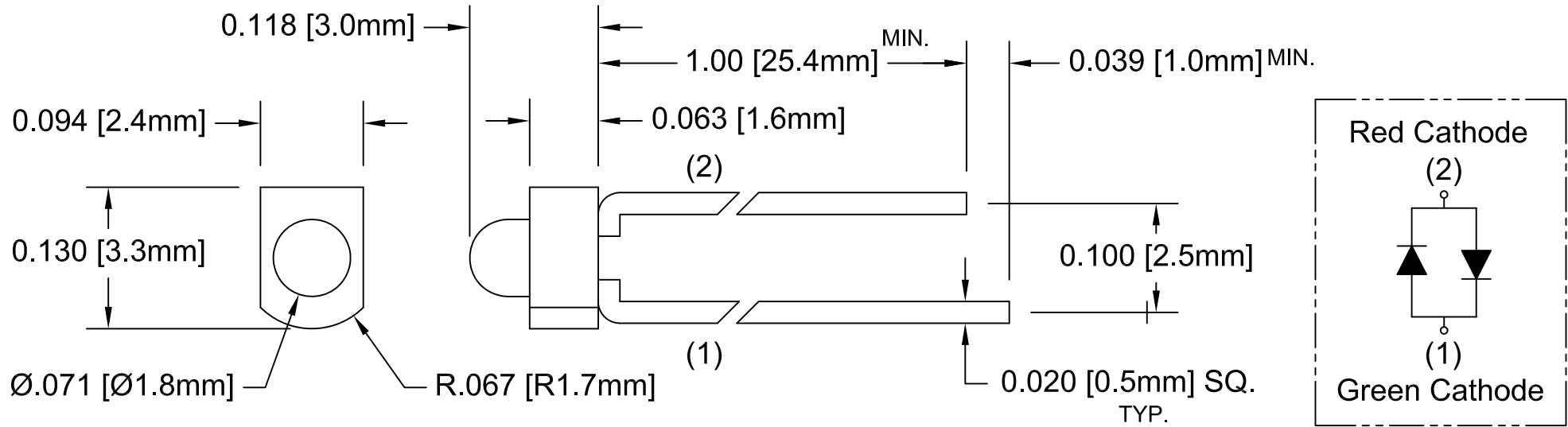


REV.	DESCRIPTION	DATE	APPROVED
A	Engineering Release.	07/12/07	M. C.
B	Polarity Callout Update.	10/13/11	M. C.



**Recommended Mounting**  
 Hole Size =  $\text{Ø}0.032^{+.003}_{-.002}$

LED Part No.	Chip			Lens Appearance	Absolute Maximum Ratings				Electro-Optical Data @ 20mA			Viewing Angle (Deg)
	Material	Peak Wave Length $\lambda_p$ (nm)	Emitted Color		$\Delta\lambda$ (nm)	Pd (mW)	If (mA)	Peak If (mA)	Vf (V)		Iv (mcd)	
									Typ.	Max.	Typ.	
1.8BC	GaAsP/GaP	640	HE RED	WHITE DIFFUSED	45	100	30	150	2.1	2.6	4.0	70
	GaP/GaP	568	GREEN		30	100	30	150	2.2	2.6	4.0	

### ABSOLUTE MAXIMUM RATINGS (Ta=25°C)

OPERATING TEMPERATURE RANGE \_\_\_\_\_ -40°C - 80°C

STORAGE TEMPERATURE \_\_\_\_\_ -40°C - 85°C

LEAD SOLDERING TEMPERATURE(1/16" FROM BODY) \_\_\_\_\_ 260°C FOR 5 SECONDS

STANDARD TOLERANCE (UNLESS OTHERWISE SPECIFIED)		<p><b>BIVAR</b><sup>®</sup></p> <p>4 THOMAS, IRVINE, CA. 92618        TEL: (949) 951-8808 FAX: (949) 951-3974</p>
DECIMALS	ANGULAR	
.X ±.1	X° ± 1°	
.XX ±.01		
.XXX ±.005		
DESIGNED: <b>Dan Beckman</b>	DATE: <b>07/12/07</b>	<b>TITLE:</b> 1.8 SUB-MINIATURE RADIAL LED
CHECKED: <b>T. Yin</b>	DATE: <b>07/12/07</b>	<b>PART NO:</b> 1.8BC
		<b>REVISION:</b> B
		<b>CAGE CODE :</b> 32559 <b>SHEET #</b> 1 OF 1
CAD GENERATED DOCUMENT, DO NOT MEASURE DRAWING.		

# Mouser Electronics

Authorized Distributor

Click to View Pricing, Inventory, Delivery & Lifecycle Information:

[BIVAR:](#)

[1.8BC](#)