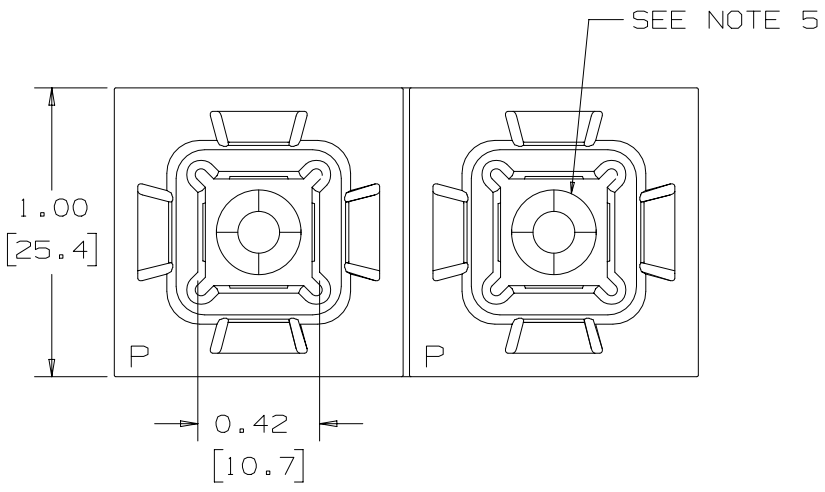
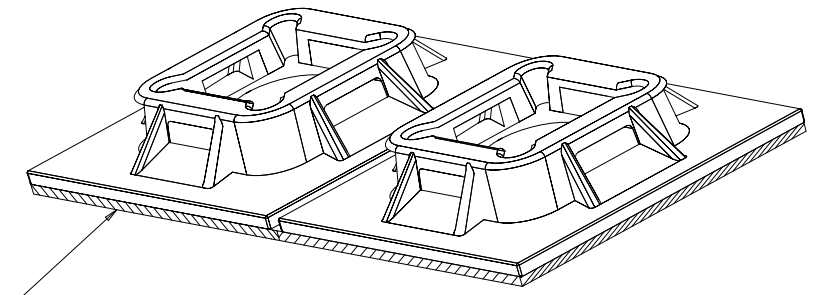


THIS COPY IS PROVIDED ON A RESTRICTED BASIS AND IS NOT TO BE USED IN ANY WAY DETRIMENTAL TO THE INTERESTS OF PANDUIT CORP.



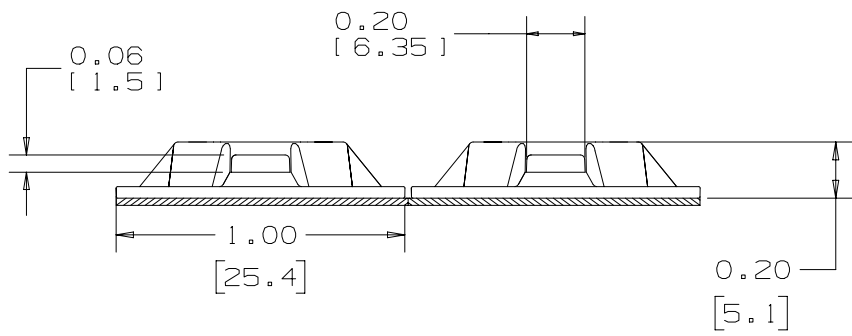
PANDUIT PART NUMBER*	WEIGHT lbs/100 pcs (g)/100 pcs	USE WITH ANY OF THESE CABLE TIE CROSS-SECTIONS
ABM100-AT	0.26 (119)	M, I, S



NO WARRANTY, EXPRESSED OR IMPLIED, IS MADE BY PANDUIT WITH RESPECT TO ADHESIVE BOND PERFORMANCE. AMONG OTHER THINGS, THE CONDITIONS UNDER WHICH THESE MOUNTS MAY BE APPLIED AND / OR THE SURFACE TO WHICH THEY MAY BE APPLIED ARE BEYOND PANDUIT'S CONTROL.

ADHESIVE BACKING: ACRYLIC BASED ADHESIVE PRESSURE SENSITIVE FOAM TAPE 0.04 (1.0) THICK WITH A PROTECTIVE LINER. MOUNT IS DESIGNED TO SUPPORT 0.50 lbs (227g) MAX. WEIGHT ON A CLEAN DRY SMOOTH SURFACE.

- NOTES:
- SEE www.panduit.com FOR CURRENT PART NUMBER SUFFIX DESIGNATION AND FOR PACKAGE SIZE AND PART COLOR.
 - THE '-AT' SUFFIX REPRESENTS ACRYLIC ADHESIVE.
 - MOUNT HAS A MAXIMUM CONTINUOUS OPERATING TEMPERATURE OF 180°F (82°C).
 - SUPPLIED IN STRIPS OF TWO.
 - HOLE FOR STANDARD S6 FLAT HEAD SCREW.



REV	DATE	BY	CHK	APR	DESCRIPTION	ECN
07	10/22/14	BWG	MPH	JADE	REMOVED RAISED PANDUIT MARK FROM PART, UPDATED NOTE 1 AND TITLE BORDER AND CREATED NEW CAD ID, WAS G00033BB_DC_ABM100AT_06	GB0033BB/07

TITLE ABM100-AT - FOUR-WAY MOUNT		CUSTOMER DRAWING	
ITEM REVISION NAME 10B0150K/00		PANDUIT	
DATASET FILE NAME 10B0150K_DC/00 GB0033BB_REV07			
UNLESS OTHERWISE SPECIFIED, DIMENSIONAL TOLERANCES ARE: IN [mm] .x ± 0.05 [1.3] .xxx ± 0.010 [0.25] .xx ± 0.02 [.02] ANGLES ± 5 °		MATERIAL: NYLON 6/6	
DRAWN BY MJK		DRAWING NUMBER: GB0033BB	
DATE 12/09/92	CHK	SCALE NONE	SHT 1 OF 1
THIRD ANGLE PROJECTION		SIZE A	

Mouser Electronics

Authorized Distributor

Click to View Pricing, Inventory, Delivery & Lifecycle Information:

[Panduit:](#)

[ABM100-AT-D0](#)