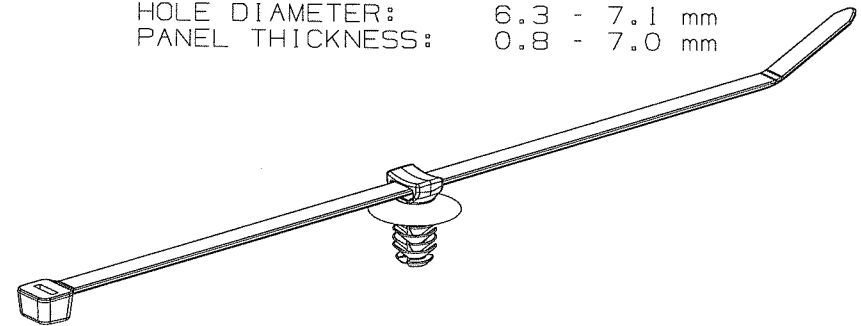
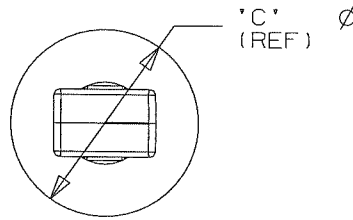
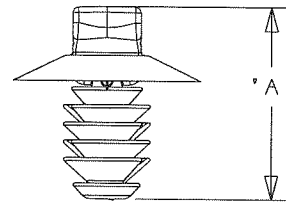
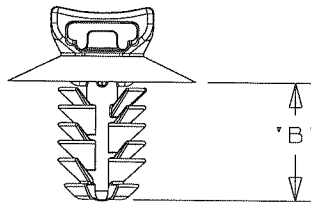


THIS COPY IS PROVIDED ON A RESTRICTED BASIS AND IS NOT TO BE USED IN ANY WAY DETRIMENTAL TO THE INTERESTS OF PANDUIT CORPORATION.

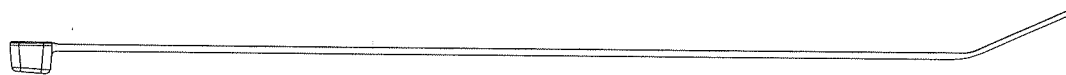
PANDUIT PART NUMBER	CABLE TIE		DIMENSIONS				MATERIAL	WEIGHT grams/100pcs
	MIN TENSILE	MAX BUNDLE	*A*	*B*	*C* (REF)	*D* (REF)		
PUM-071-2S-_30	50LBS (222N)	1.88" (48)	16.9	10.4	16.5	188.0	HEAT STABILIZED NYLON 6/6 BLACK	165

NOTES:

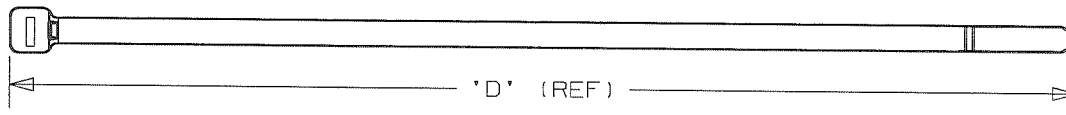
1. SEE CURRENT PRICE SHEET FOR PART NUMBER SUFFIX DESIGNATION FOR PACKAGE SIZE, AND COLOR.
2. (*) DIMENSIONAL VARIANCE IS POSSIBLE DUE TO MOLDING PROCESS RELATED SINK MARKS.
3. APPLICATION SPECIFICATION:
HOLE DIAMETER: 6.3 - 7.1 mm
PANEL THICKNESS: 0.8 - 7.0 mm



SCALE .75



SCALE .75



CAD FILENAME/LAYERS	G03151BB_DC_GB0239LL/10B
PANDUIT CORP. TINLEY PARK, ILLINOIS	
PUM-071-2S-_30 PUSH MOUNT / CABLE TIE ASSEMBLY	

UNLESS OTHERWISE SPECIFIED, ALL DIMENSIONS ARE METRIC TOLERANCE: ±0.5MM		DRAWN BY KLN	MAT'L: SEE TABLE	SCALE 1:1 UNLESS NOTED
DATE 7-10-06	CHK'D KLN	DRAWING NO. GB0239LL	DWG A	SIZE A

REV	DATE	BY	CHK	DESCRIPTION	ECN	R	CUST	SUP
10B	10-6-08	PSG	Ⓟ	DELETED, AND RENAMED DIMENSIONS	GB0239LL	10B	KLN	
10A	8-22-08	PSG		REMOVED RIB FROM HEAD, UPDATED FILE NAME, AND CHANGED REV TO TC REV STYLE	GB0239LL	10A		
1	8-11-06	TMSA		UPDATED DIMENSIONS C FROM 10.5 D FROM 17.0	GB0239LL	1		
R	7-10-06	KLN		INITIAL RELEASE	GB0239LL	R		

Mouser Electronics

Authorized Distributor

Click to View Pricing, Inventory, Delivery & Lifecycle Information:

[Panduit:](#)

[PUM-071-2S-D30](#)