

Signal lamps with integrated LED - 7.0 mm, round protruding lens

1.69.511.101/1000



General information

Form of lens	round protruding
Color of lens	transparent colorless
Diameter of collar	8.5 mm

Dimensions

Overall height	5 mm
Mounting depth	27.5 mm
Mounting hole	7.0 mm

Mechanical design

Mounting	pressing into hole
Terminals	solder terminals
Lamp socket	no
Lamp	LED white

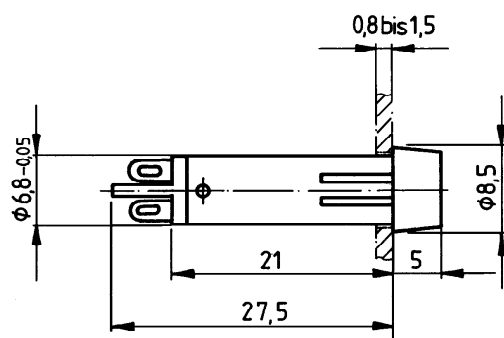
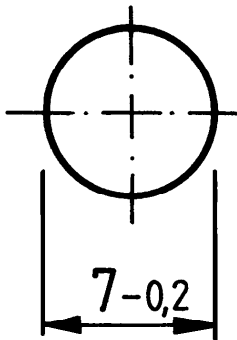
Electrical characteristics

Operating voltage U_B	24 - 28 V
Forward voltage U_F at 25 °C	at 20 mA forward current 2.4 V
Reverse current I_R at 25 °C	3 V
Forward current, I_F	max. 20 mA
Reverse current I_R at 25 °C	100 μ A
Power dissipation P_{tot} at 25 °C	max. 120 mW
Light intensity	400

Other specifications

Degree of protection from front side	IP40 (DIN EN 60529)
ROHS compliant	yes
REACH compliant	yes

Mounting hole



Mouser Electronics

Authorized Distributor

Click to View Pricing, Inventory, Delivery & Lifecycle Information:

[RAFI:](#)

[1.69.511.101/1000](#)