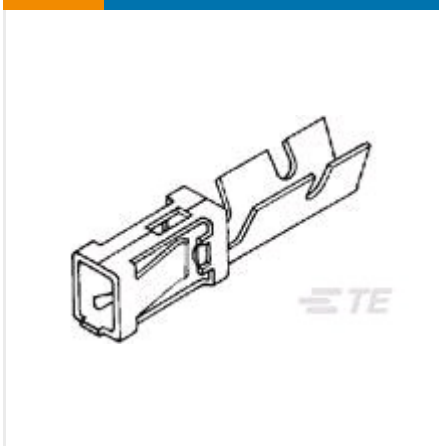




CONNECTORS

BOARD-TO-BOARD CONNECTOR CONTACTS



✓ Active

TE CONNECTIVITY (TE)

MOD 1 CONTACT

AMPMODU | AMPMODU

182198-1

TE Internal Number: 182198-1

EU RoHS Compliant

EU ELV Compliant

Contact Type Socket

Contact Mating Area Plating Material Tin

Wire Range .3 – .9 mm² [22 – 18 AWG]

PCB Mounting Orientation Vertical

PCB Mount Retention Without

[↓ PRODUCT DRAWING](#)
English

[↓ 3D PDF](#)

DOCUMENTATION

Product Drawings

L.p. Cont. Crimp On Snap In Amp Modu I

PDF (TIFF AVAILABLE)

English

CAD Files

Customer View Model

3D_IGS.ZIP

English

Customer View Model

3D_STP.ZIP

English

Customer View Model

2D_DXF.ZIP

English

3D PDF

PDF

English

Product Specifications

Application Specification

AMPMODU I Interconn. System

PDF

English

FEATURES



Please review product documents or [contact us](#) for the latest agency approval information.

Please Note: Use the Product Drawing for all design activity.

Product Type Features

PCB Mounting Orientation Vertical

Connector & Contact Terminates To Wire & Cable

Product Type Contact

With Insulation Support Yes

Make First / Break Last No

Applied Pressure High

Body Features

Body Style Straight

Contact Features

Contact Angle Straight

Contact Type Socket

Contact Mating Area Plating Material Tin

Contact Current Rating (Max) (A) 5

Contact Mating Area Plating Thickness .762 μm [30 μin]

Contact Base Material Phosphor Bronze

Termination Features

Termination End Plating Thickness .762 μm [30 μin]

Termination End Plating Material Tin

Mechanical Attachment

PCB Mount Retention Without

Dimensions

Wire Range .3 – .9 mm^2 [22 – 18 AWG]

Insulation Diameter 1.8 – 2.3 mm [.071 – .091 in]

Packaging Features

Packaging Method Loose Piece

Packaging Quantity 2000

PRODUCT COMPLIANCE



Statement of Compliance

Statement of Compliance

PDF
